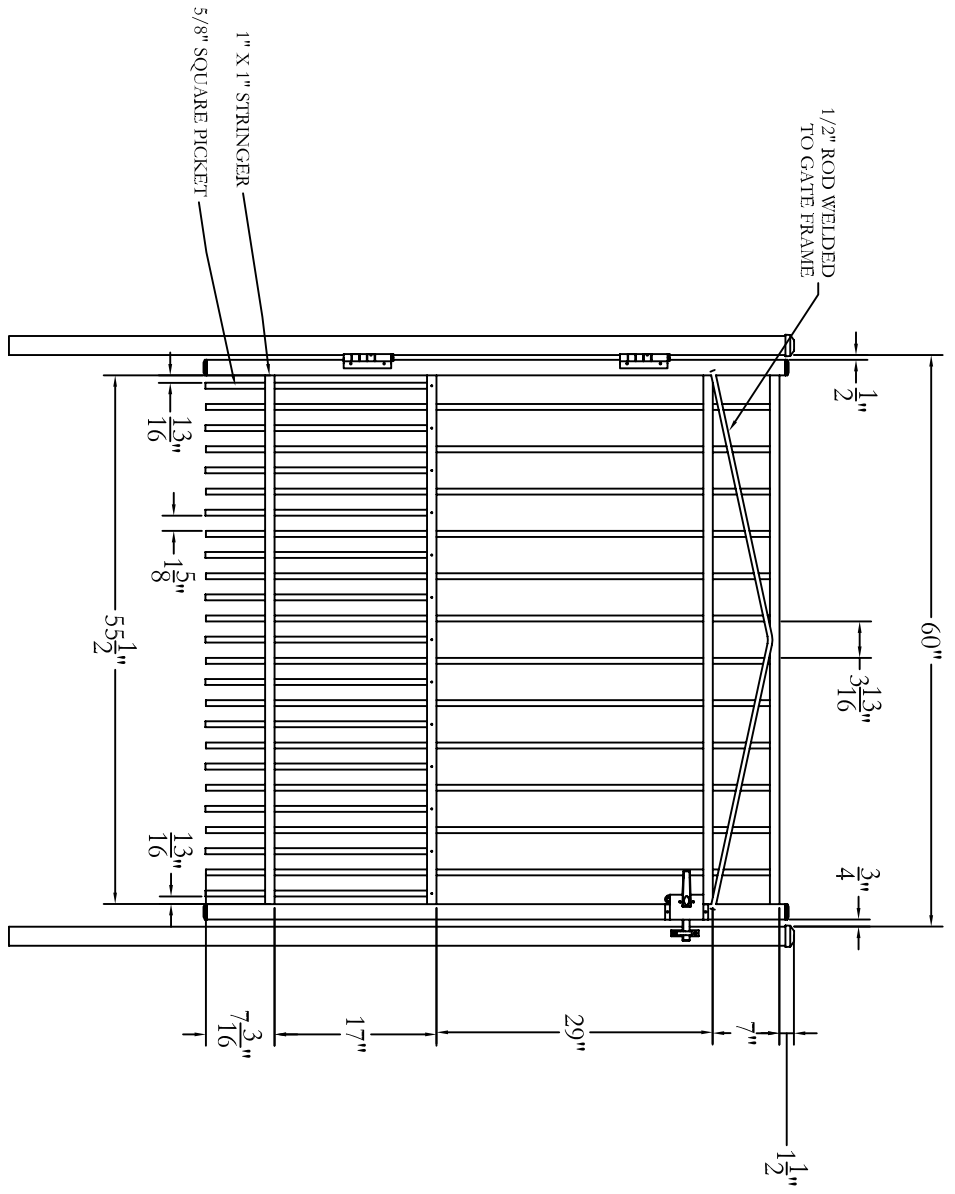
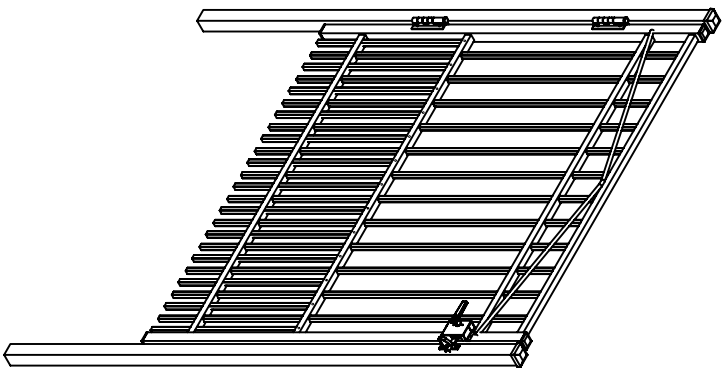


DATE	BY	DESCRIPTION	DATE	APPROVED
25/07/13	NC	INITIAL RELEASE	DSJ	



jerth
 Manufacturing Co., Inc.
 Philadelphia, PA 19154
 (800)344-2242

DRAWING:
RESIDENTIAL PUPPY GATE
 STYLE #202
 60" HIGH X 60" WIDE

SIZE	DWG NO.	REV
D	RS60UPUP60	NC
SCALE	DATE	SHEET
	25/07/2013	1 OF 1

© 2005. This drawing may not be altered or reproduced without the permission of Jerth Manufacturing Co., Inc.