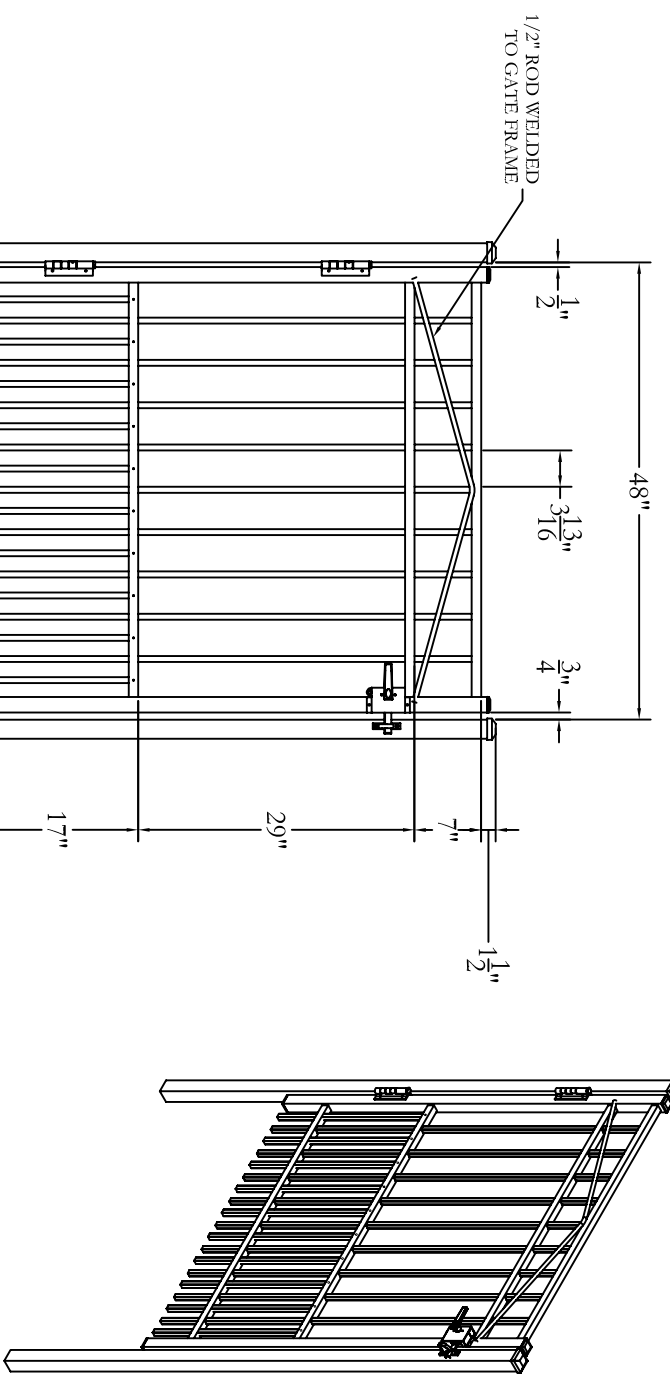


DATE	BY	DESCRIPTION	DATE	APPROVED
07/25/13	NC	INITIAL RELEASE	07/25/13	DSB



Jerith
 Manufacturing Co., Inc.
 Philadelphia, PA 19154
 (800)344-2242

DRAWING:
 RESIDENTIAL PUPPY GATE
 STYLE #202
 60" HIGH X 48" WIDE

SIZE	DWG NO.	REV
D	RS60UPUP48	NC
SCALE	DATE	SHEET
	07/25/2013	1 OF 1

© 2005. This drawing may not be altered or reproduced without the permission of Jerith Manufacturing Co., Inc.