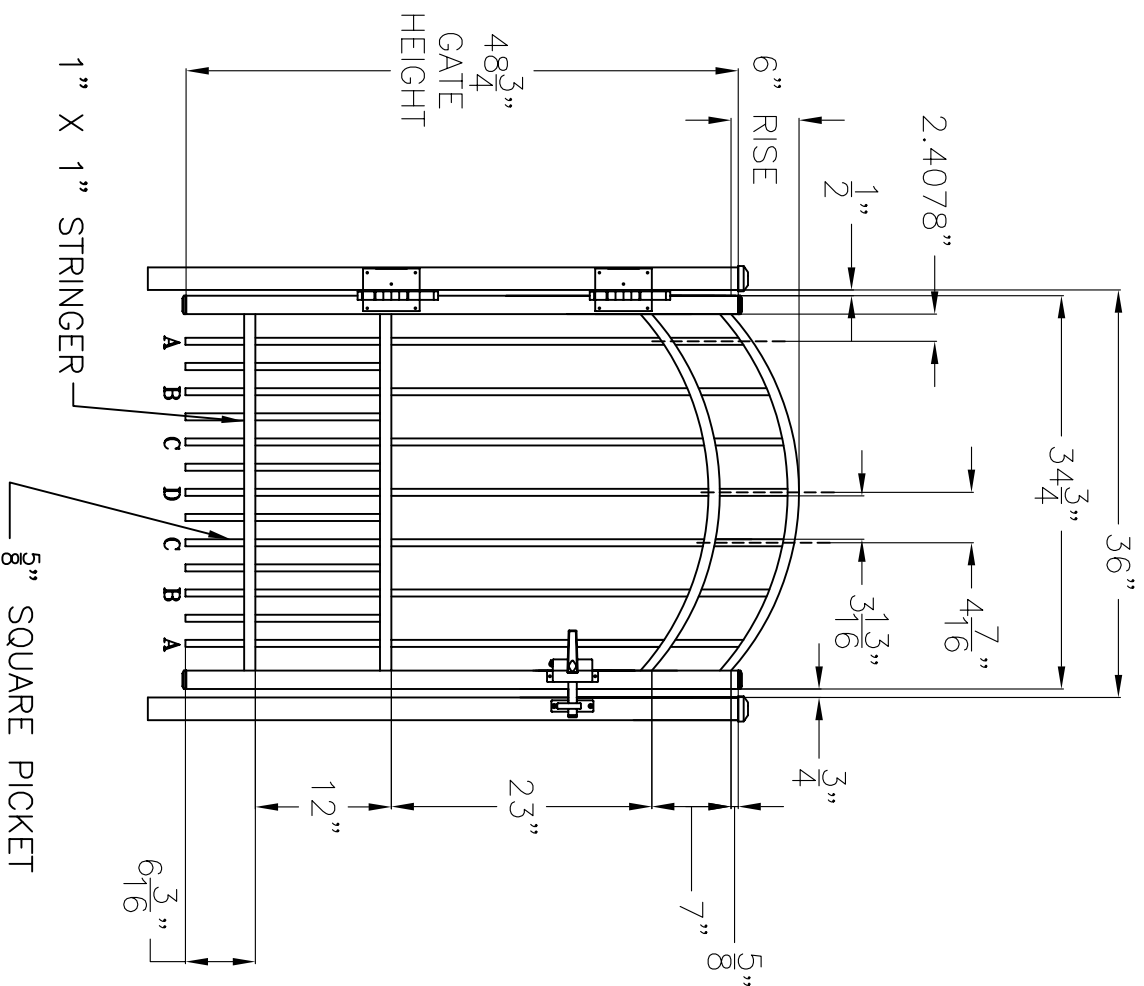



SQUARE PICKET INFORMATION		
PICKET ID	PICKET LENGTHS	QTY.
A	49-11/16"	2
B	52-1/8"	2
C	53-1/2"	2
D	54"	1




 Manufacturing Co., Inc.
 Philadelphia, PA 19154
 (800) 344-2242

RESIDENTIAL ACCENT GATE
 STYLE #PUP
 48" HIGH X 36" WIDE

Date: June 2013 - DS0
 Copyright 2013
 This drawing
 may not be altered
 without permission of
 Jerrin Manufacturing Co., Inc.
 Drawing No. **RS48UPUP36AG**