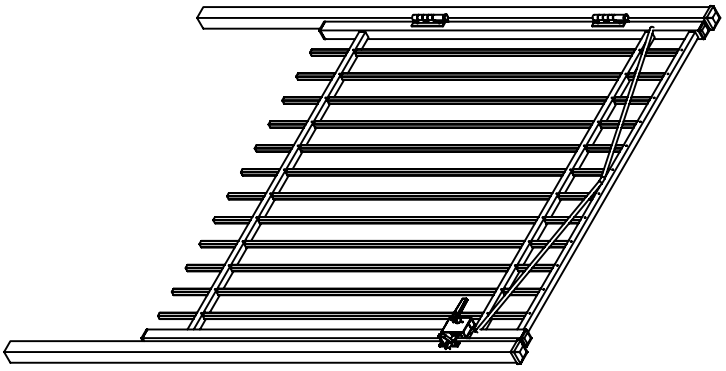
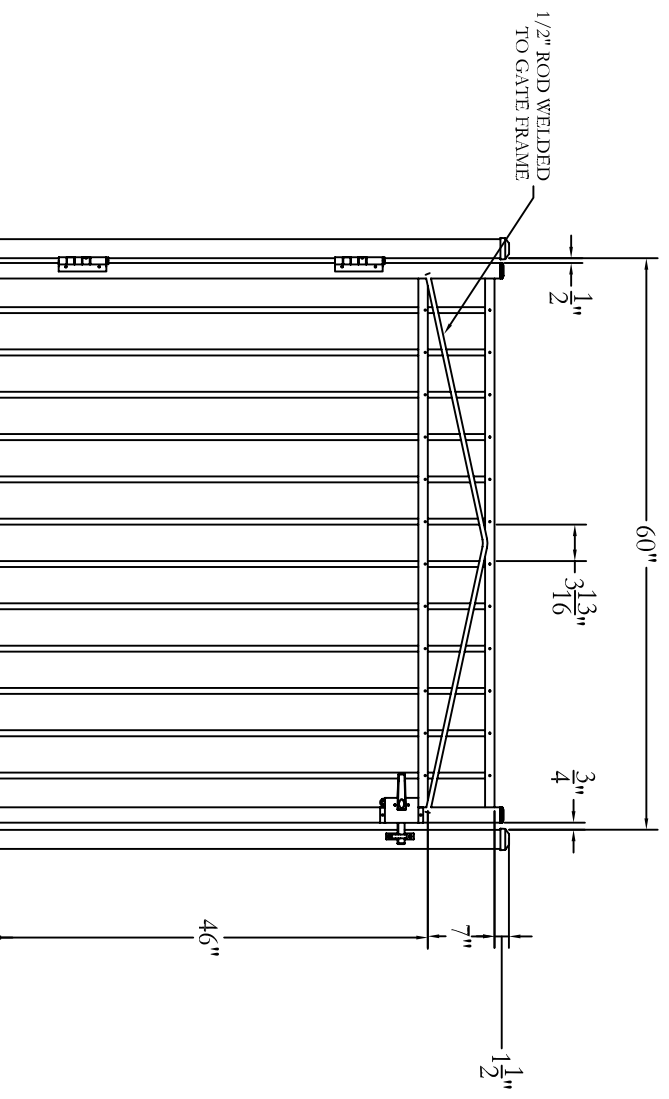



DATE	BY	DESCRIPTION	REVISION	DATE	BY	APPROVED
1-1-05	NC	INITIAL RELEASE				



  
**Gouth**  
 Manufacturing Co., Inc.  
 Philadelphia, PA 19154  
 (800) 344-2242

DRAWING:  
**RESIDENTIAL GATE**  
**STYLE #202**  
**60" HIGH X 60" WIDE**

SIZE	DWG NO.	REV
D	RS60U20260	NC

SCALE	DATE	SHEET
1-1.05	1-1-05	1 OF 1

© 2005. This drawing may not be altered or reproduced without the permission of Jerth Manufacturing Co., Inc.