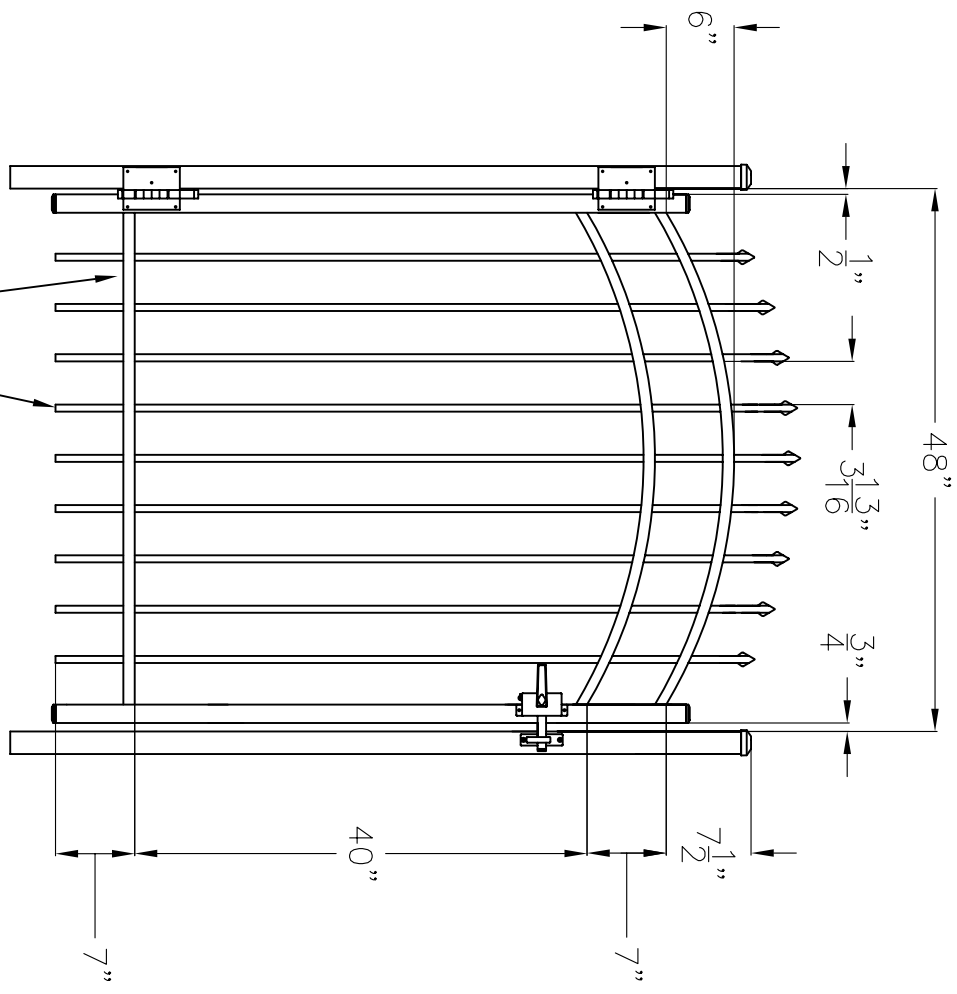


1" X 1-1/2" STRINGER
 5" SQUARE PICKET



Jerrith
 Manufacturing Co., Inc.
 Philadelphia, PA 19154
 (800)344-2242

Residential ACCENT GATE
 STYLE #101
 60" HIGH X 48" WIDE

Date: September 2004
 Copyright 2004
 Jerrith Manufacturing Co., Inc.
 Drawing No. RS60U10148