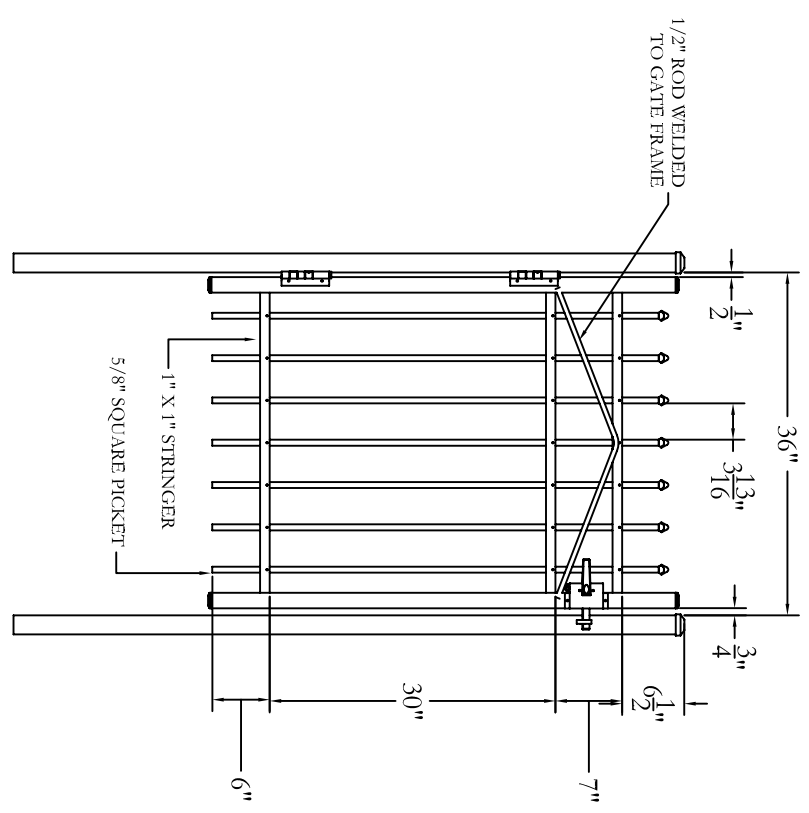
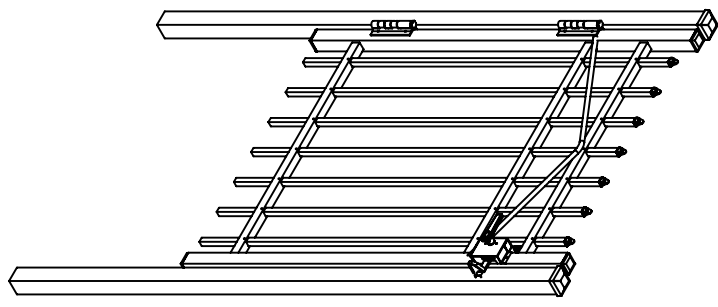


DATE	BY	DESCRIPTION	REVISION	DATE	BY	APPROVED
NC	NC	INITIAL RELEASE				



South
Manufacturing Co., Inc.
 Philadelphia, PA 19154
 (800) 344-2242

DRAWING:
RESIDENTIAL GATE
STYLE #101
48" HIGH X 36" WIDE

SIZE	DWG NO.	DATE	REV
D	RS48U10136	3-1-04	NC
SCALE			SHEET 1 OF 1

© 2005. This drawing may not be altered or reproduced without the permission of Jereth Manufacturing Co., Inc.