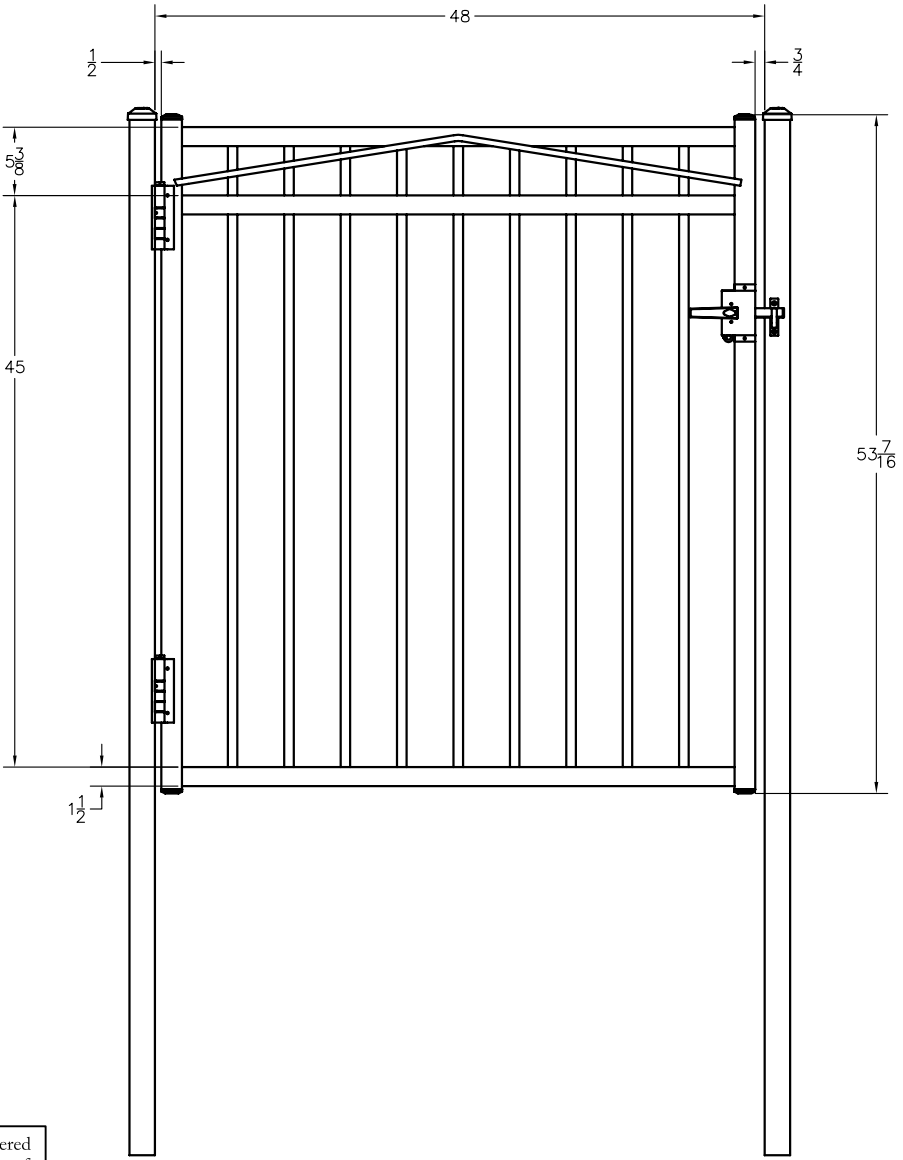


8 7 6 5 4 3 2 1

| REVISIONS | | | | |
|-----------|-----|-----------------------|----------|----------|
| ZONE | REV | DESCRIPTION | DATE | APPROVED |
| | NC | INITIAL RELEASE | | |
| | A | CHANGE PICKET SPACING | 8-7-2010 | SR |



NOTES:

1. ALL DIMENSIONS IN INCHES.
- 2.
- 3.

Jerith[®]
 Manufacturing Co., Inc.
 Philadelphia, PA 19154
 (800)344-2242

DRAWING:
WINDSOR GATE
 54" HEIGHT X 48"WIDE

| | | |
|-----------|---------------------|-----------------|
| SIZE D | DWG NO. RG54UW48 | REV A |
| SCALE | DATE 11-1-11 | SHEET 1 OF 1 |

© 2005. This drawing may not be altered or reproduced without the permission of Jerith Manufacturing Co., Inc.

8 7 6 5 4 3 2 1

D
C
B
A

D
C
B
A