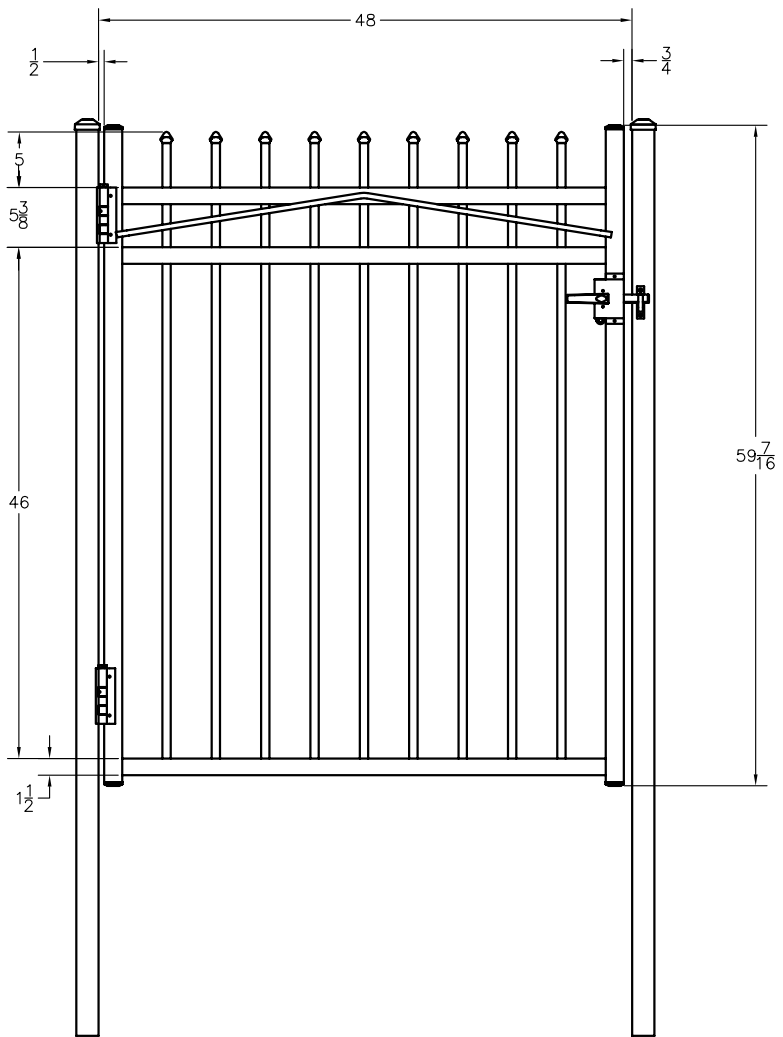


8 7 6 5 4 3 2 1

REVISIONS				
ZONE	REV	DESCRIPTION	DATE	APPROVED
	NC	INITIAL RELEASE		
	A	CHANGE PICKET SPACING	8-7-2010	SR



- NOTES:
1. ALL DIMENSIONS IN INCHES.
 - 2.
 - 3.

Jerith[®]
 Manufacturing Co., Inc.
 Philadelphia, PA 19154
 (800)344-2242

DRAWING:
 BUCKINGHAM GATE
 60" HEIGHT X 48"WIDE

© 2005. This drawing may not be altered or reproduced without the permission of Jerith Manufacturing Co., Inc.

SIZE D	DWG NO. RG60UB48	REV A
SCALE	DATE 11-1-11	SHEET 1 OF 1

8 7 6 5 4 3 2 1