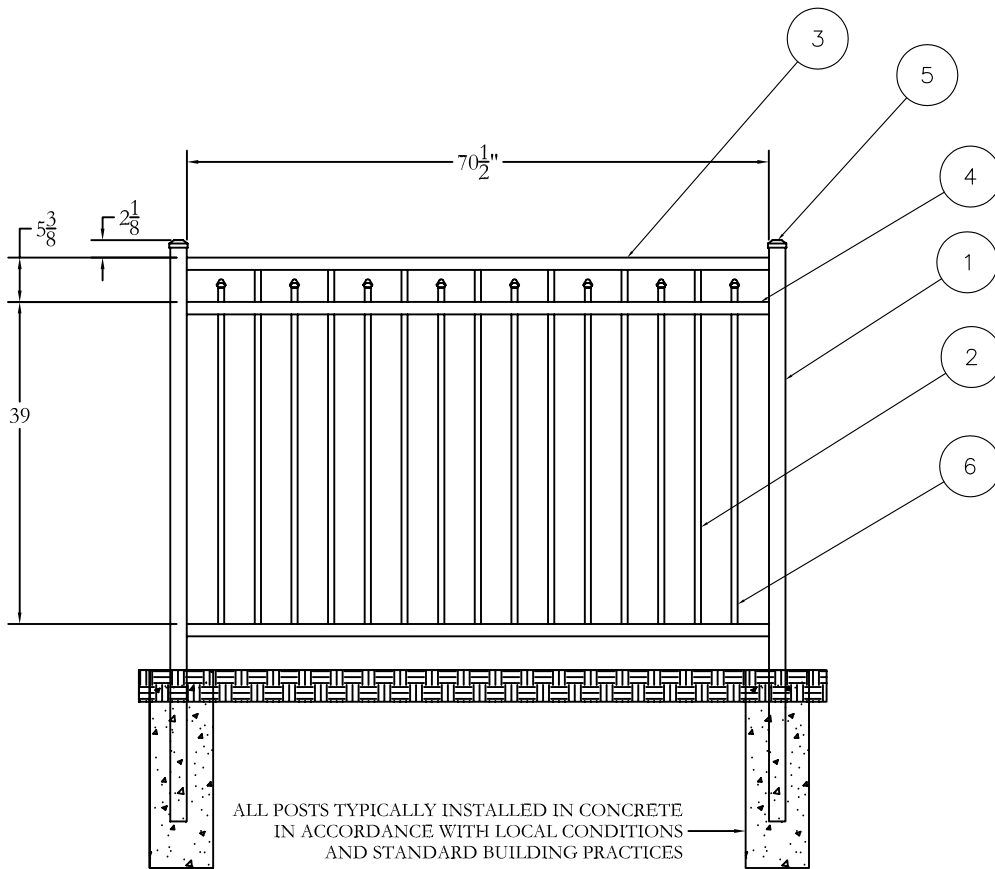
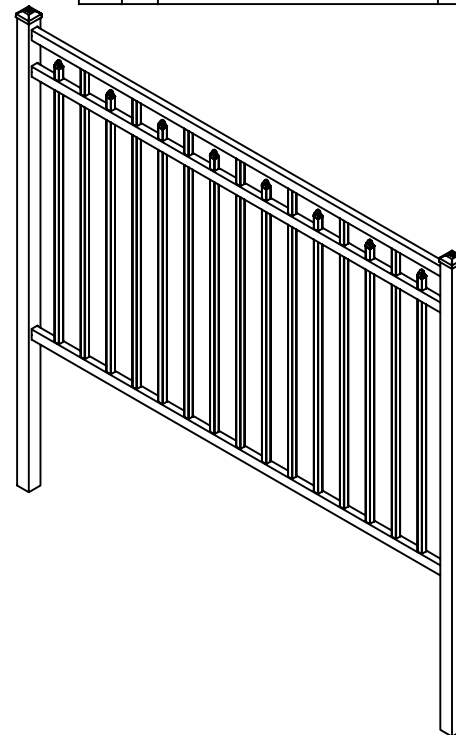


Parts List		
ITEM	QTY	DESCRIPTION
1	2	70" POST
2	7	48" PICKET
3	1	15" HOLE HEADER
4	2	15" HOLE STRINGER
5	2	POST CAP
6	8	48" PICKET

REVISIONS				
ZONE	REV	DESCRIPTION	DATE	APPROVED
		INITIAL RELEASE		



ALL POSTS TYPICALLY INSTALLED IN CONCRETE IN ACCORDANCE WITH LOCAL CONDITIONS AND STANDARD BUILDING PRACTICES



Jerith[®]
 Manufacturing Co., Inc.
 Philadelphia, PA 19154
 (800)344-2242

DRAWING:
CANTERBURY FENCE
 48" HEIGHT

SIZE D	DWG NO. RG48UCSN	REV NC
SCALE	DATE 11-17-2010	SHEET 1 OF 1

© 2005. This drawing may not be altered or reproduced without the permission of Jerith Manufacturing Co., Inc.