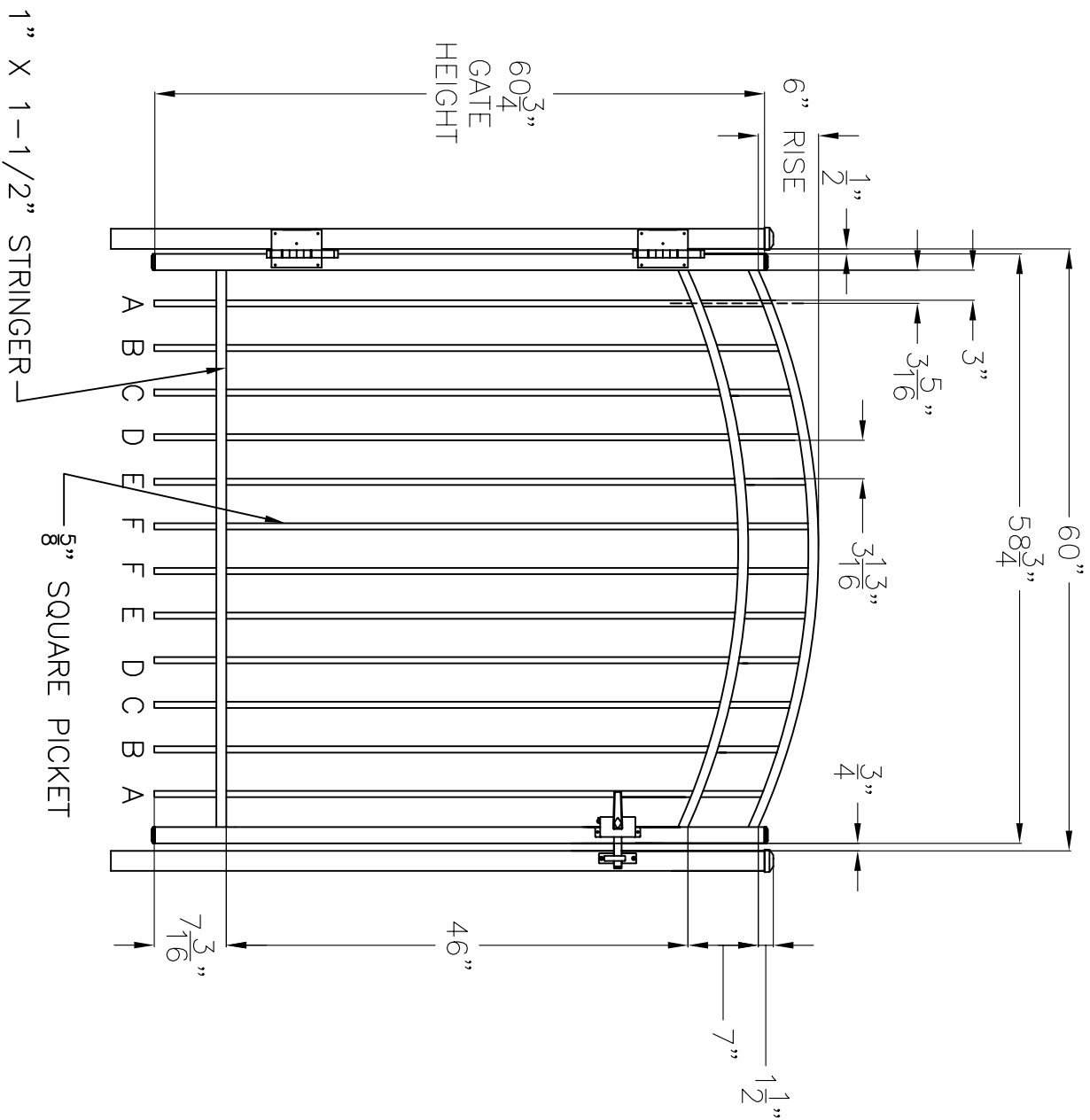


SQUARE PICKET INFORMATION		
PICKET ID	PICKET LENGTHS	QTY.
A	61-1/4"	2
B	62-7/8"	2
C	64-1/8"	2
D	65"	2
E	65-5/8"	2
F	65-15/16"	2



Jerwin
Manufacturing Co., Inc.
Philadelphia, PA 19154
(800) 344-2242

Copyright 2014
This drawing
may not be altered
without permission of
Jerwin Manufacturing Co., Inc.

Date: May 2014 -05B Drawing No. L160U2260AG

LIBERTY ACCENT GATE
STYLE #22
60" HIGH X 60" WIDE