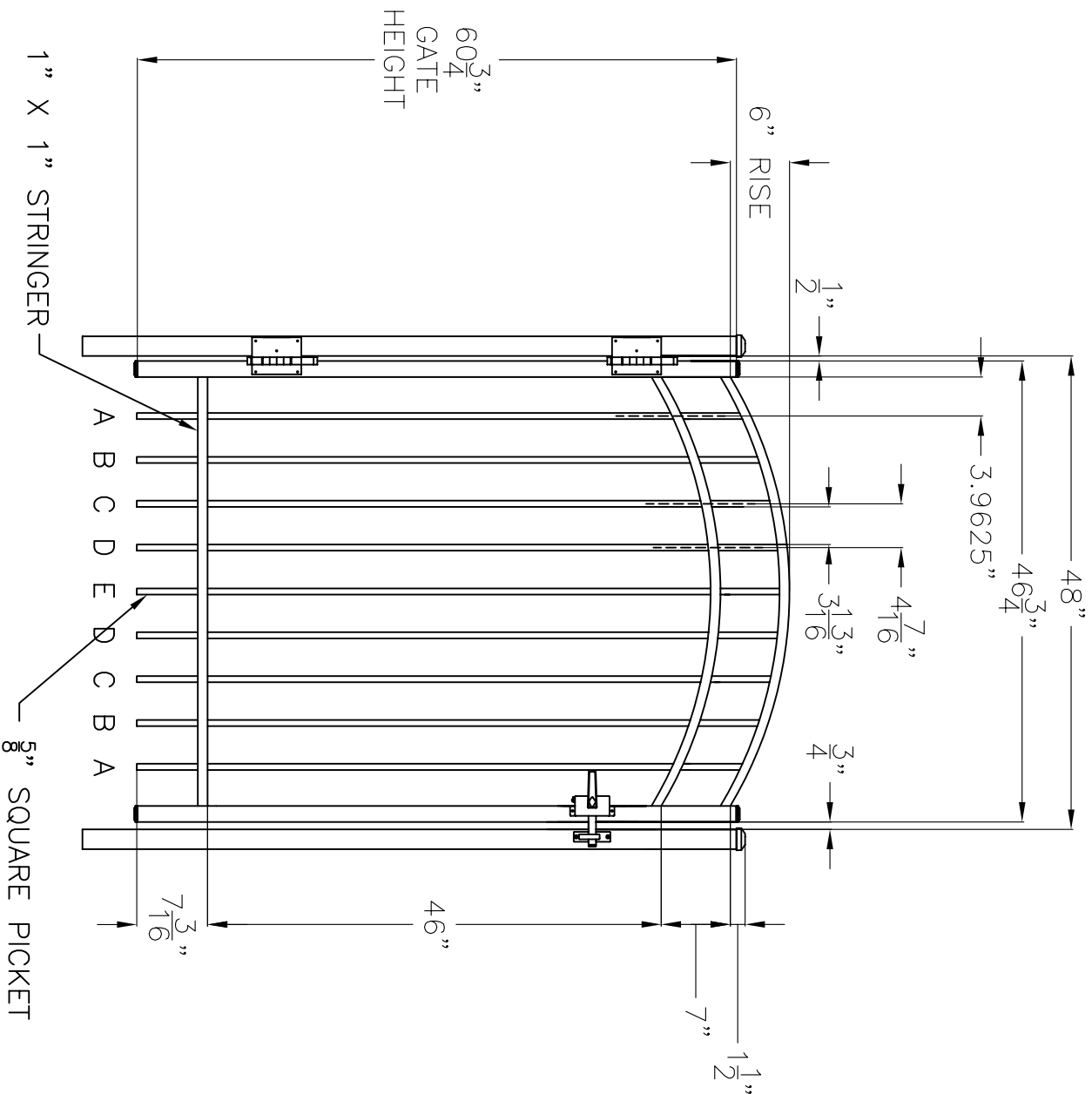


PICKET INFORMATION		
PICKET ID	PICKET LENGTHS	QTY.
A	61-15/16"	2
B	63-3/4"	2
C	65"	2
D	65-3/4"	2
E	66"	1



Yorkville
Manufacturing Co., Inc.
Philadelphia, PA 19154
(800) 344-2242

Drawing: LIBERTY ACCENT GATE
STYLE #22
60" HIGH X 48" WIDE

Date: March 2015

Copyright 2015
This drawing
may not be altered
without permission of
Yorkville Manufacturing Co., Inc.

Drawing No.
LI60U2248AG