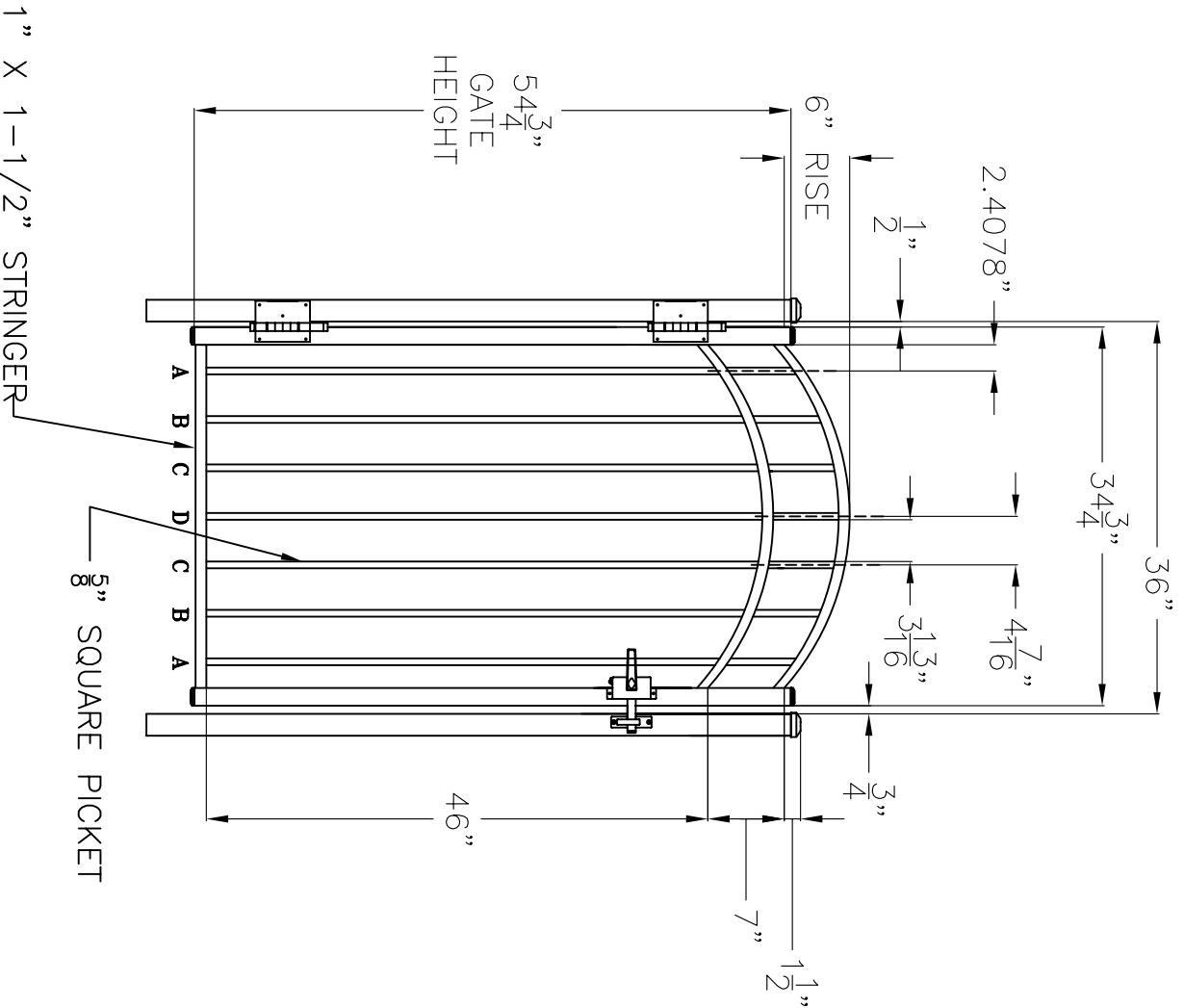



| PICKET INFORMATION |                |      |
|--------------------|----------------|------|
| PICKET ID          | PICKET LENGTHS | QTY. |
| A                  | 55-1/2"        | 2    |
| B                  | 57-15/16"      | 2    |
| C                  | 59-5/16"       | 2    |
| D                  | 59-13/16"      | 1    |



  
 Manufacturing Co., Inc.  
 Philadelphia, PA 19154  
 (800) 344-2242

---

Drawing No. **LIBERTY ACCENT GATE**  
**STYLE #22**  
**54" HIGH X 36" WIDE**

---

Date: June 2014 - DS8  
 Copyright 2014  
 This drawing  
 may not be altered  
 without permission of  
 Jerrin Manufacturing Co., Inc.  
**L154U2236AG**