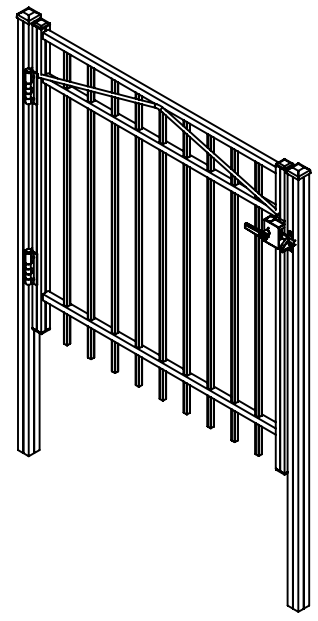
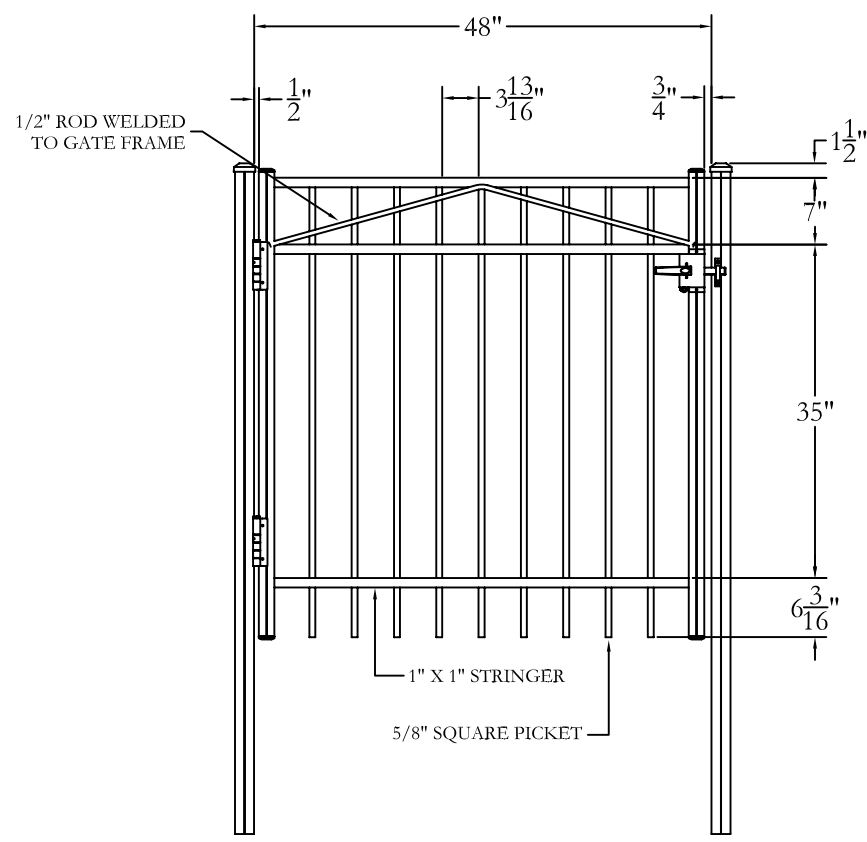


| ZONE | | REV | DESCRIPTION | DATE | APPROVED |
|------|----|-----|-----------------|------|----------|
| - | NC | | INITIAL RELEASE | | |



Jerith[®]
 Manufacturing Co., Inc.
 Philadelphia, PA 19154
 (800)344-2242

DRAWING: LIBERTY GATE
 STYLE #202
 48" HIGH X 48" WIDE

| | | |
|-----------|----------------------|-----------------|
| SIZE D | DWG NO. LI48U2248 | REV NC |
| SCALE | DATE 1-11-2010 | SHEET 1 OF 1 |

© 2005. This drawing may not be altered or reproduced without the permission of Jerith Manufacturing Co., Inc.