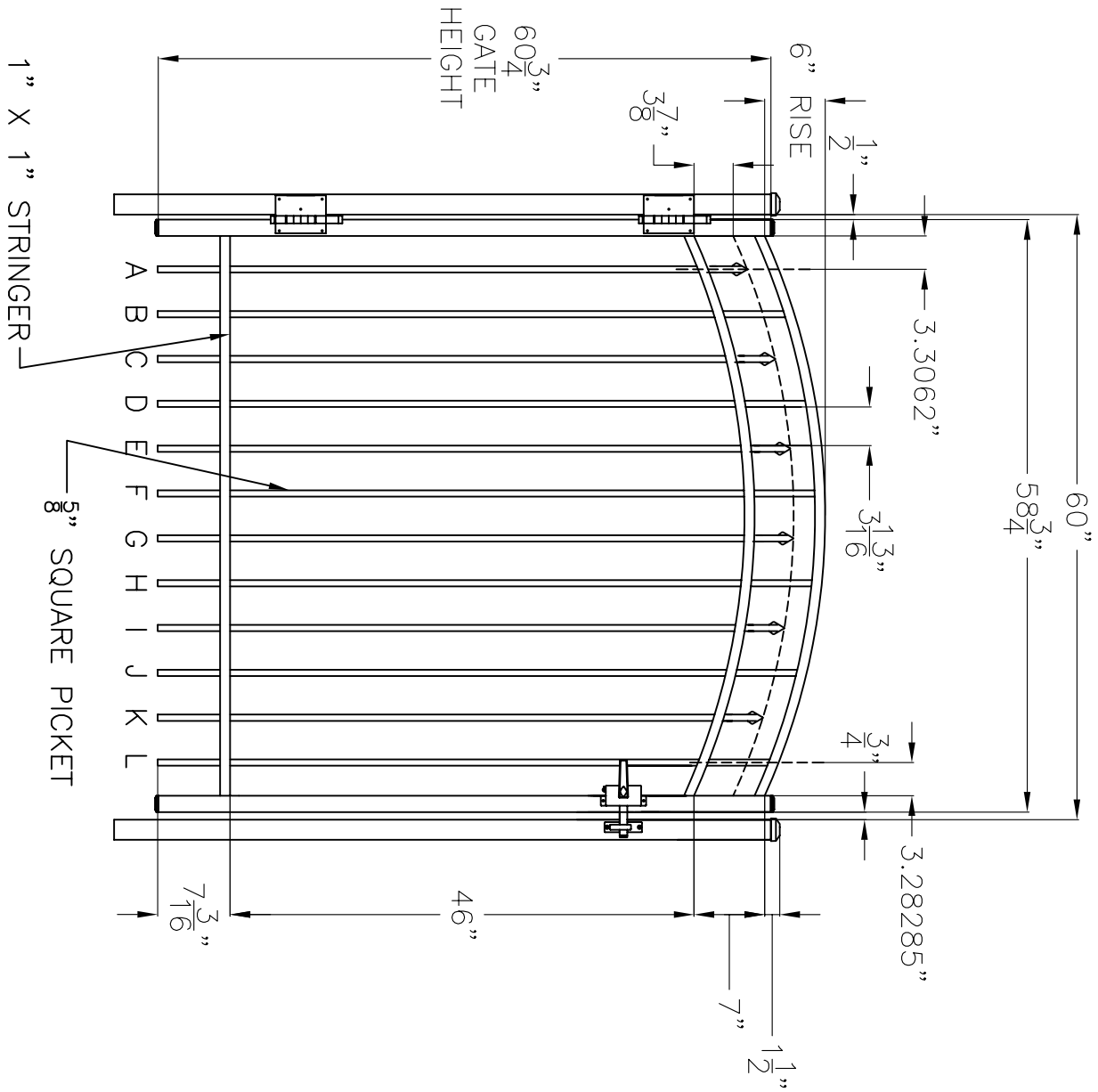



POINT PICKET INFORMATION				SQUARE PICKET INFORMATION			
PICKET ID	PICKET LENGTHS	QTY.	PICKET ID	PICKET LENGTHS	QTY.		
A	58-7/16"	1	B	62-7/8"	1		
C	61-1/4"	1	D	65"	1		
E	62-3/4"	1	F	65-15/16"	1		
G	63"	1	H	65-5/8"	1		
I	62-1/8"	1	J	64-1/8"	1		
K	60"	1	L	61-1/4"	1		



  
 Manufacturing Co., Inc.  
 Philadelphia, PA 19154  
 (800) 344-2242

---

Drawing No. **LIBERTY ACCENT GATE**  
**STYLE #20**  
**60" HIGH X 60" WIDE**

---

Date: **Sept. 2014 -DSB**  
 Copyright 2014  
 This drawing  
 may not be altered  
 without permission of  
 Jerrin Manufacturing Co., Inc.

Drawing No. **L160U2060AG**