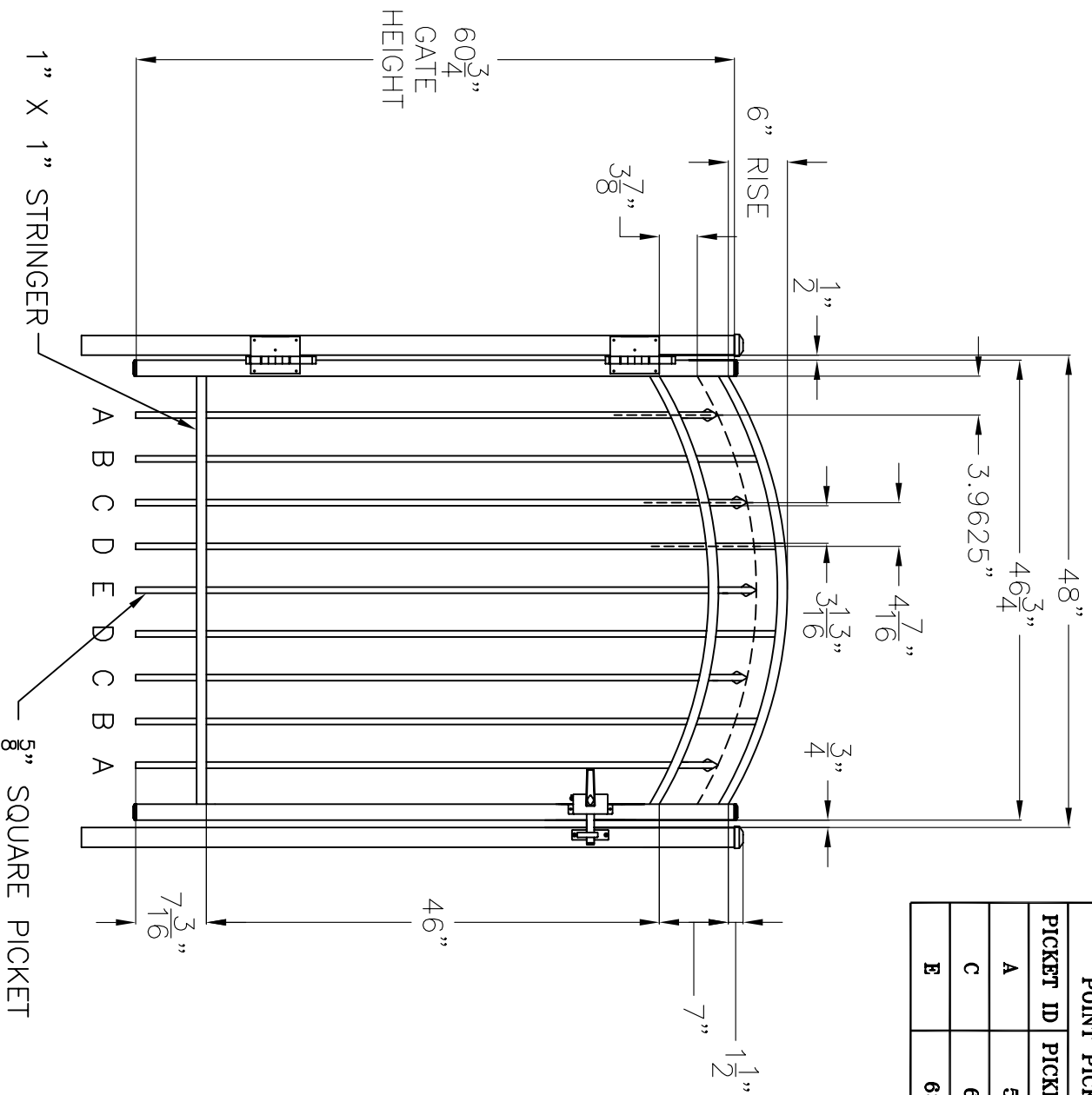


POINT PICKET INFORMATION			SQUARE PICKET INFORMATION		
PICKET ID	PICKET LENGTHS	QTY.	PICKET ID	PICKET LENGTHS	QTY.
A	59-1/8"	2	B	63-3/4"	2
C	62-1/8"	2	D	65-3/4"	2
E	63-1/16"	1			



Yorkville
 Manufacturing Co., Inc.
 Philadelphia, PA 19154
 (800) 344-2242

LIBERTY ACCENT GATE
 STYLE #20
 60" HIGH X 48" WIDE

Date: September 2014
 Copyright 2014
 This drawing
 may not be altered
 without permission of
 Yorkville Manufacturing Co., Inc.
 Drawing No. I160U2048AG