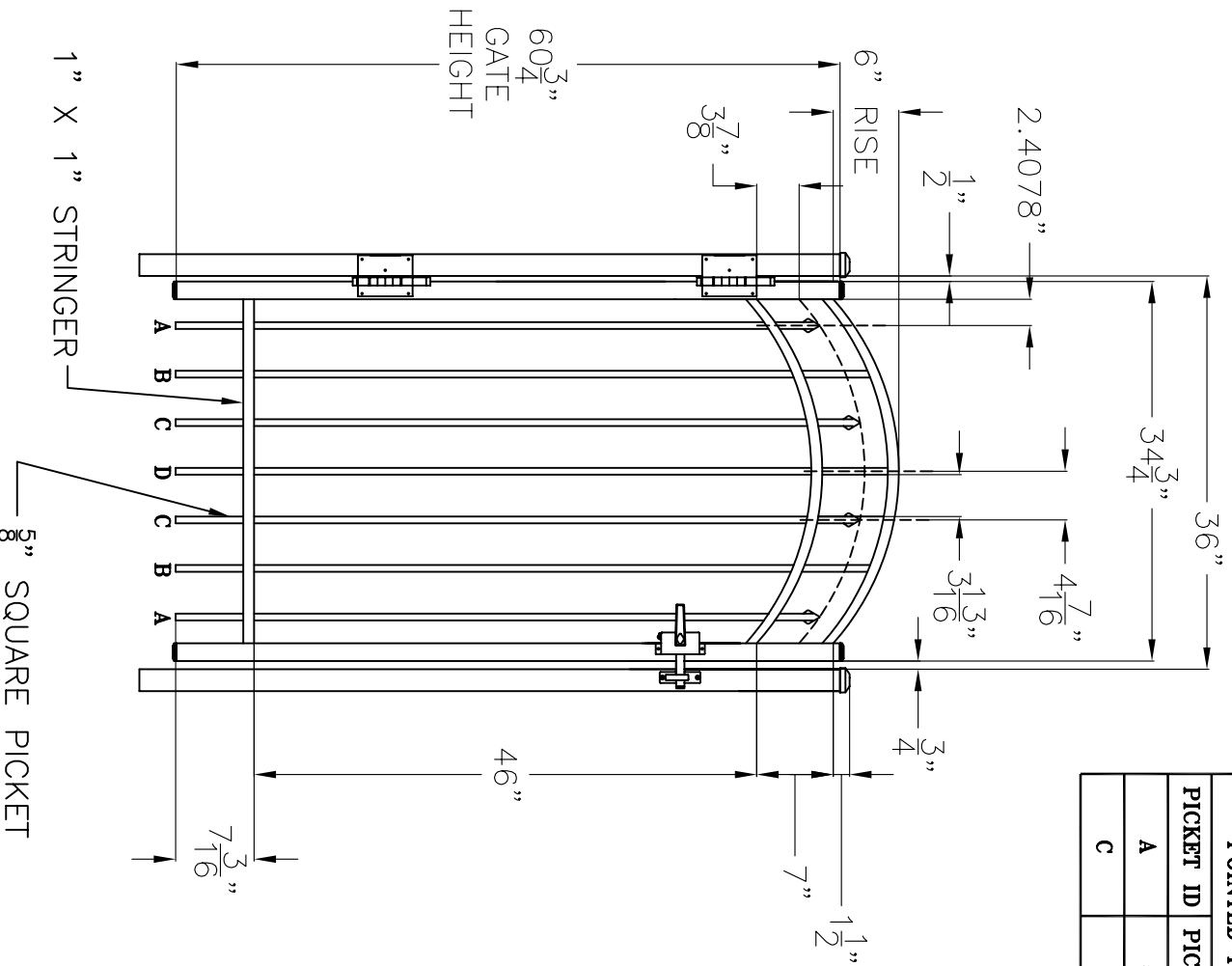



POINTED PICKET INFORMATION			SQUARE PICKET INFORMATION		
PICKET ID	PICKET LENGTHS	QTY.	PICKET ID	PICKET LENGTHS	QTY.
A	58-15/16"	2	B	64-1/8"	2
C	62-5/8"	2	D	66"	1




Manufacturing Co., Inc.
 Philadelphia, PA 19154
 (800) 344-2242

LIBERTY ACCENT GATE
STYLE #20
60" HIGH X 36" WIDE

Date: March 2015 - DSD
 Copyright 2015
 This drawing
 may not be altered
 without permission of
 Jerrin Manufacturing Co., Inc.

Drawing No. **LI60U2036AG**