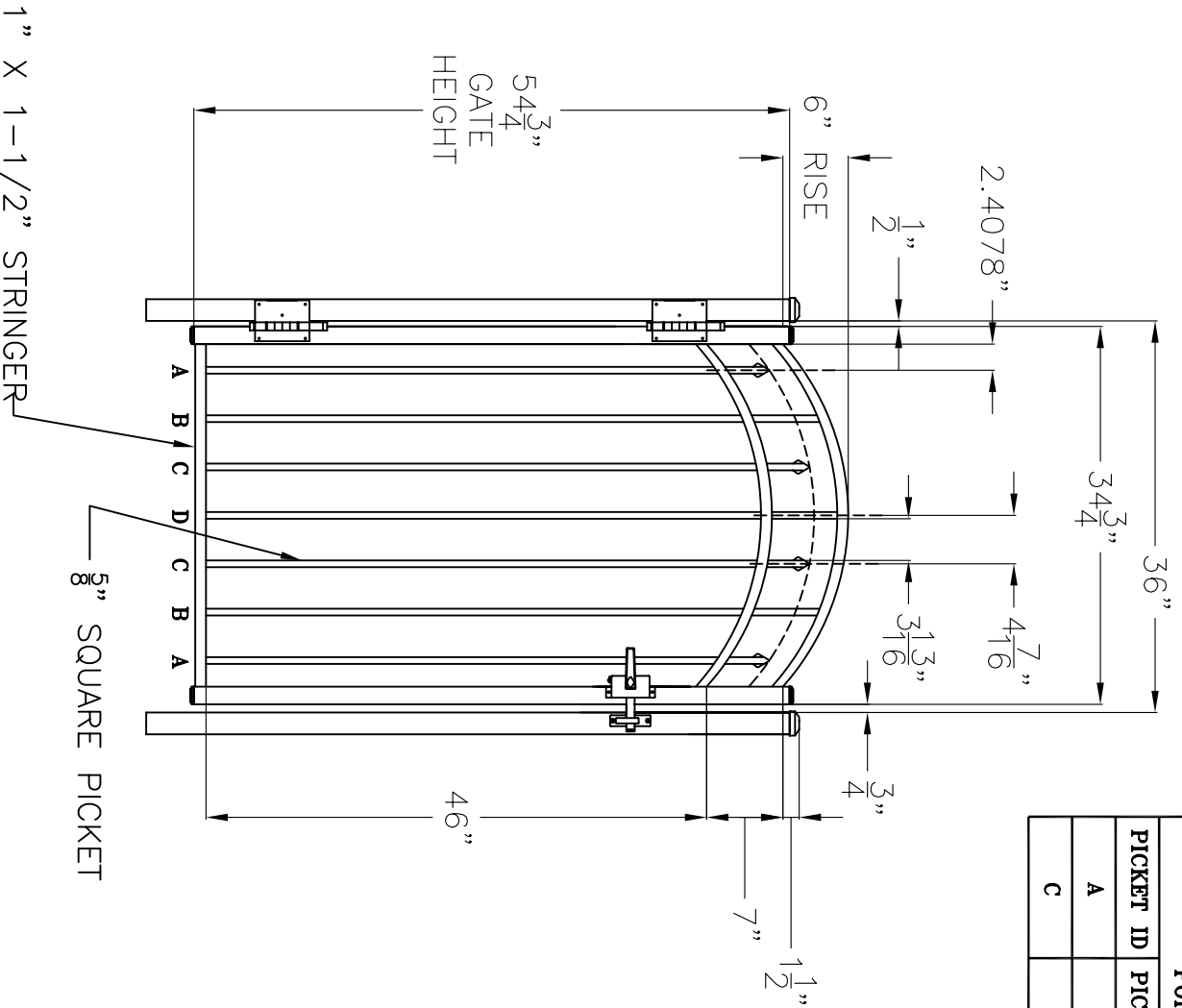



POINTED PICKET			SQUARE PICKET		
PICKET ID	PICKET LENGTHS	QTY.	PICKET ID	PICKET LENGTHS	QTY.
A	52-3/4"	2	B	57-15/16"	2
C	56-7/16"	2	D	59-13/16"	1




 Manufacturing Co., Inc.
 Philadelphia, PA 19154
 (800) 344-2242

LIBERTY ACCENT GATE
 STYLE #20
 54" HIGH X 36" WIDE

Date: June 2014 - DS0
 Copyright 2014
 This drawing
 may not be altered
 without permission of
 Jerrin Manufacturing Co., Inc.
 Drawing No. L154U2036AG