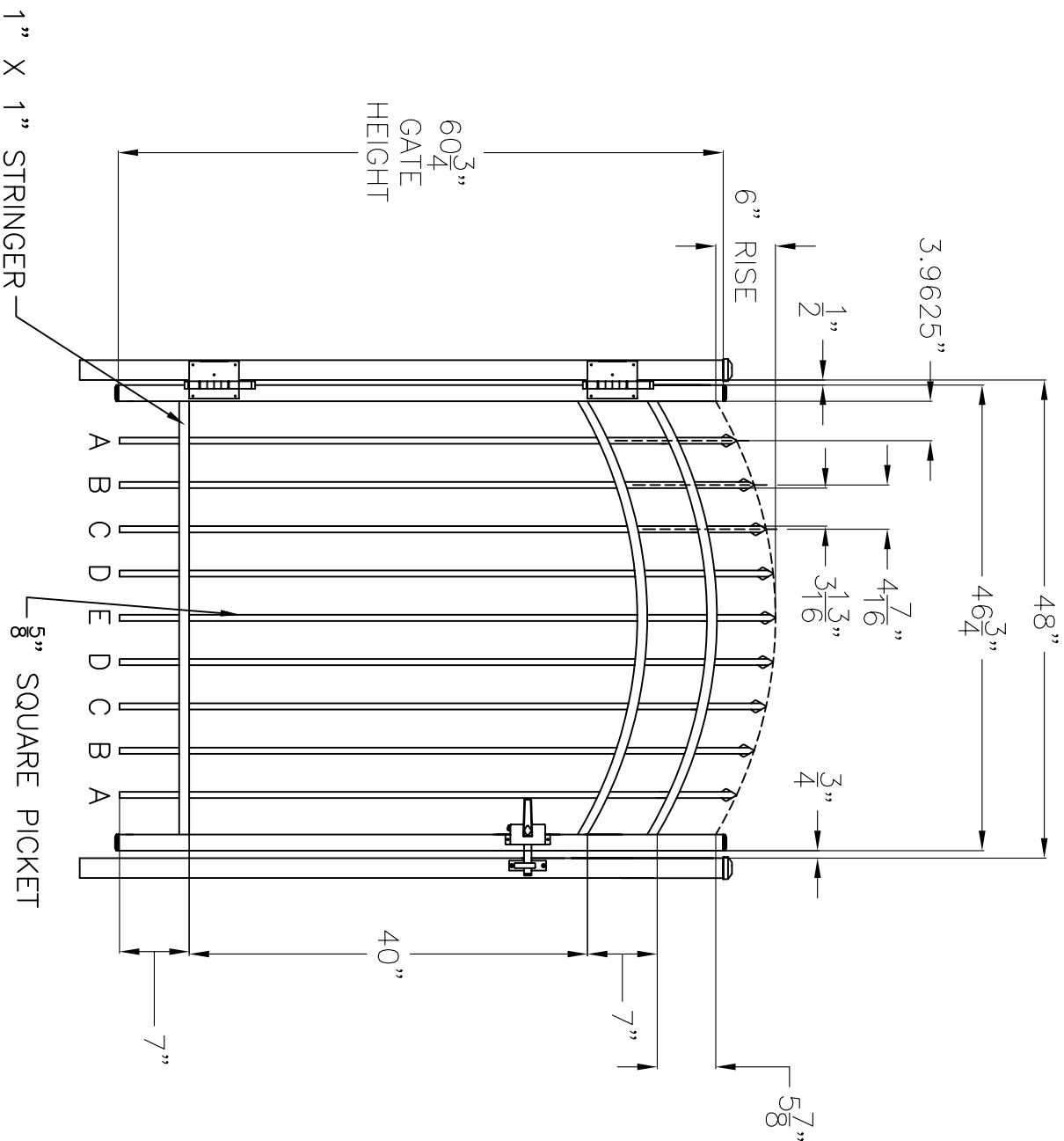



PICKET INFORMATION		
PICKET ID	PICKET LENGTHS	QTY.
A	61-15/16"	2
B	63-3/4"	2
C	64-15/16"	2
D	65-5/8"	2
E	65-7/8"	1



  
 Manufacturing Co., Inc.  
 Philadelphia, PA 19154  
 (800) 344-2242

---

**LIBERTY ACCENT GATE**  
**STYLE #11**  
**60" HIGH X 48" WIDE**

---

Date: May 2014 -JSD  
 Copyright 2014  
 This drawing  
 may not be altered  
 without permission of  
 Jerrin Manufacturing Co., Inc.

Drawing No.  
**LI60U1148AG**