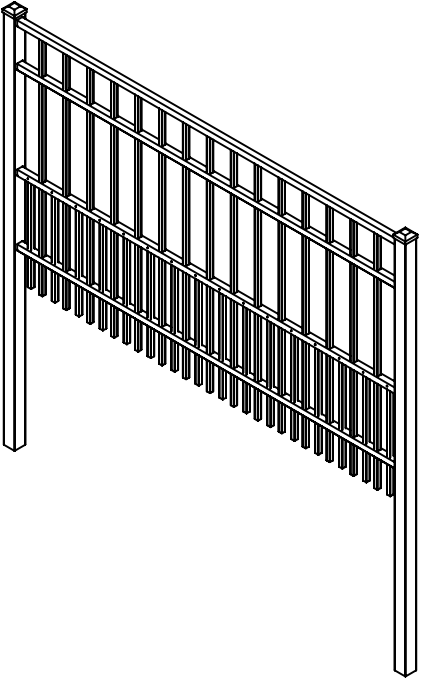
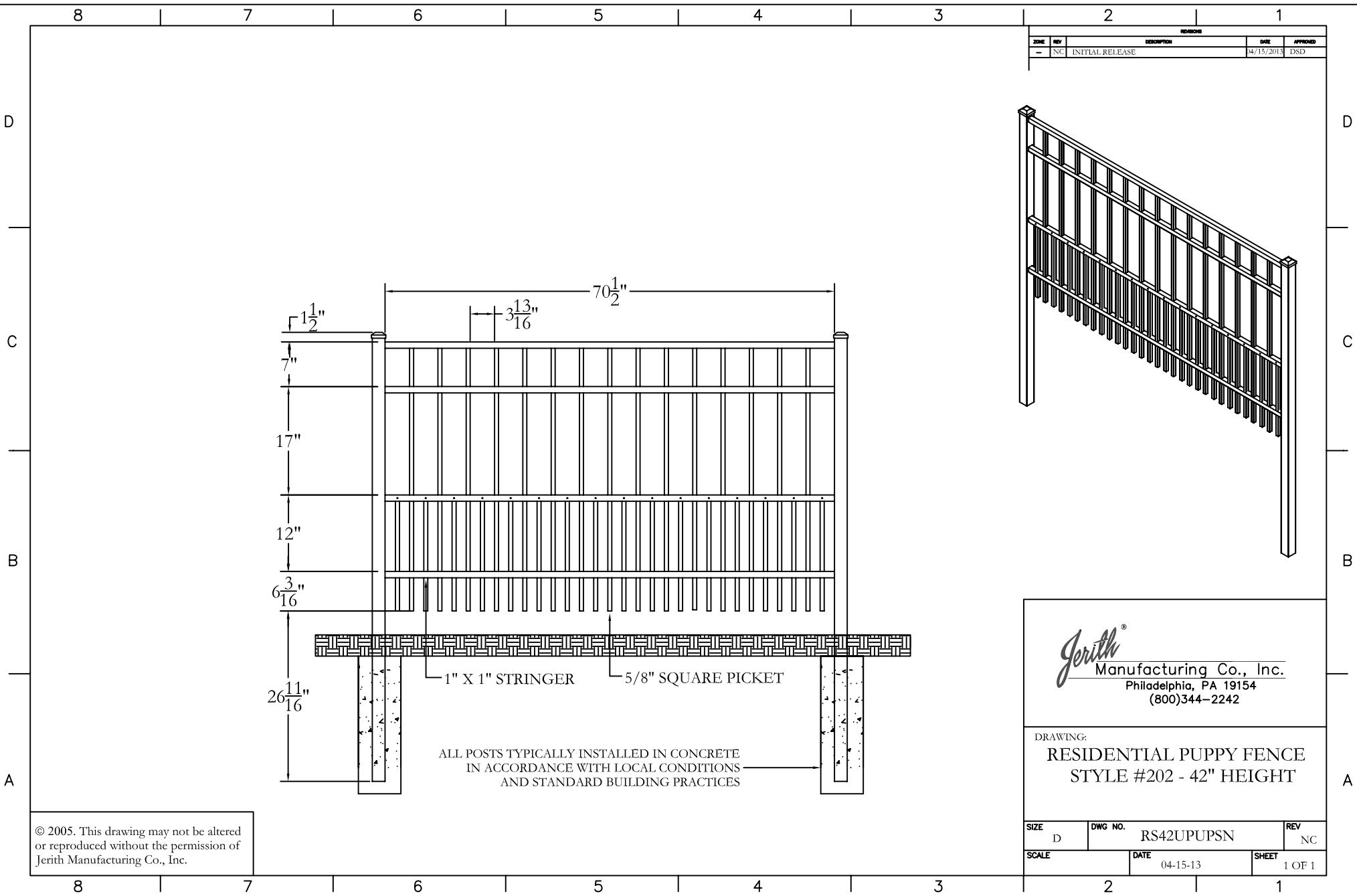


ZONE		REV	DESCRIPTION	DATE	APPROVED
-	NC		INITIAL RELEASE	04/15/2013	DSD



Jerith[®]
 Manufacturing Co., Inc.
 Philadelphia, PA 19154
 (800)344-2242

DRAWING:
RESIDENTIAL PUPPY FENCE
STYLE #202 - 42" HEIGHT

SIZE D	DWG NO. RS42UPUPSN	REV NC
SCALE	DATE 04-15-13	SHEET 1 OF 1

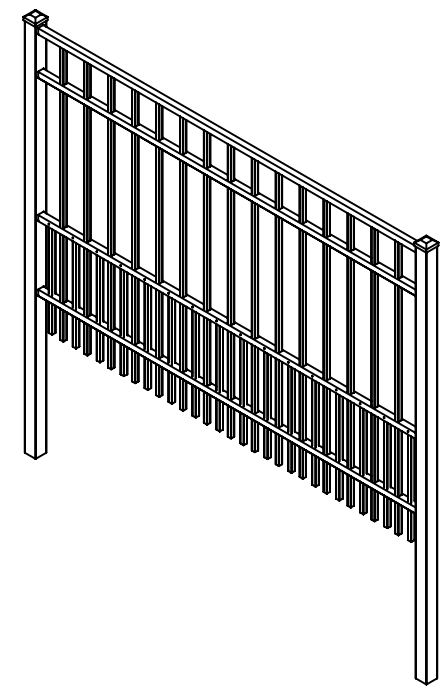
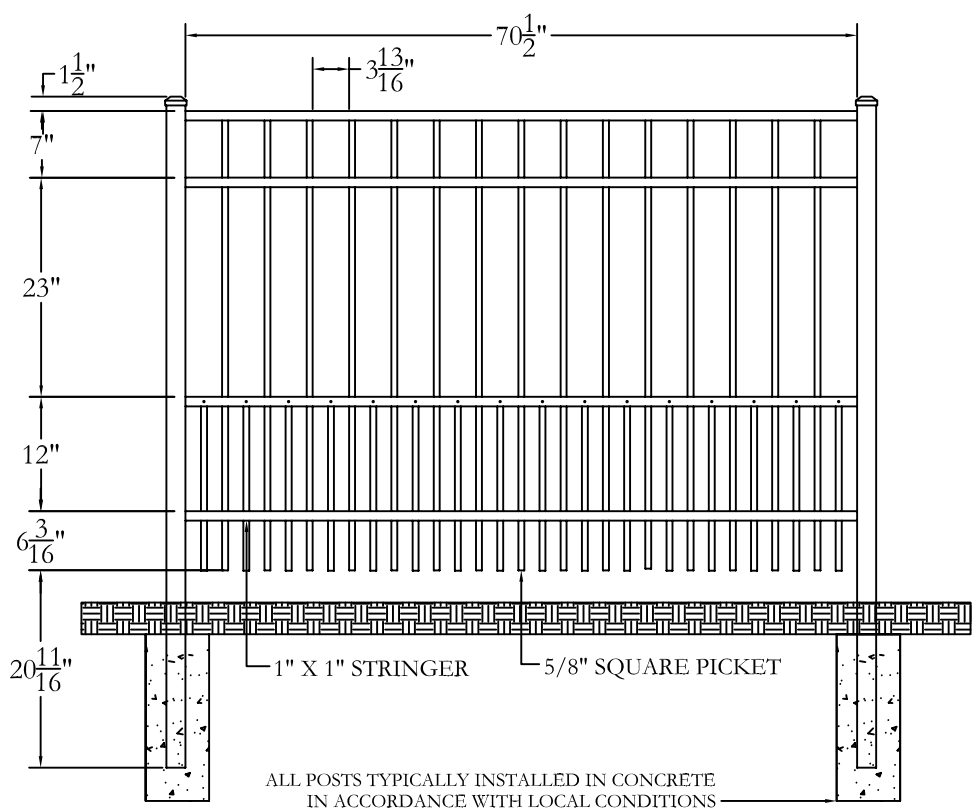
© 2005. This drawing may not be altered or reproduced without the permission of Jerith Manufacturing Co., Inc.

ALL POSTS TYPICALLY INSTALLED IN CONCRETE IN ACCORDANCE WITH LOCAL CONDITIONS AND STANDARD BUILDING PRACTICES

REVISIONS				
ZONE	REV	DESCRIPTION	DATE	APPROVED
-	NC	INITIAL RELEASE	04/15/2013	DSD

D
C
B
A

D
C
B
A



Jerith[®]
 Manufacturing Co., Inc.
 Philadelphia, PA 19154
 (800)344-2242

DRAWING:
RESIDENTIAL PUPPY FENCE
STYLE #202 - 48" HEIGHT

SIZE D	DWG NO. RS48UPUSN	REV NC
SCALE	DATE 04-15-13	SHEET 1 OF 1

© 2005. This drawing may not be altered or reproduced without the permission of Jerith Manufacturing Co., Inc.

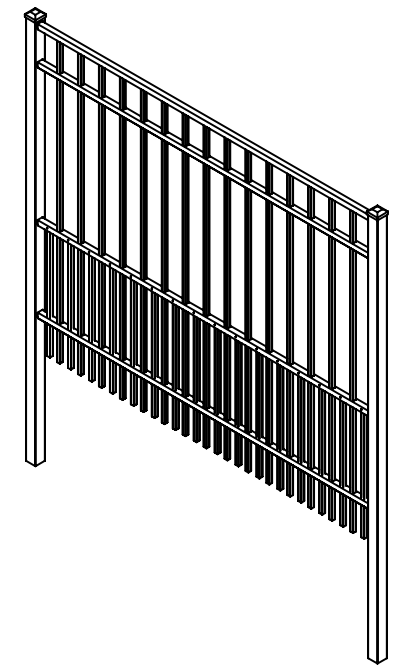
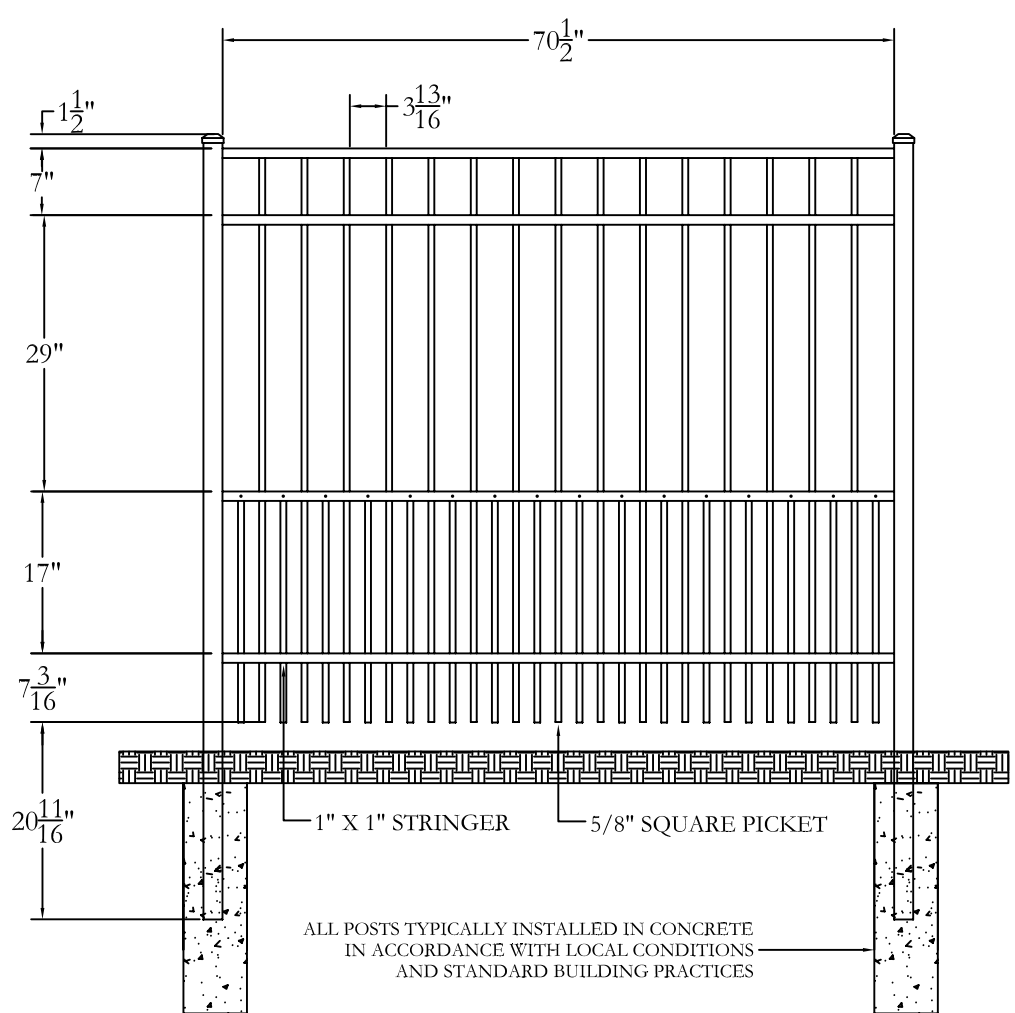
8 | 7 | 6 | 5 | 4 | 3 | 2 | 1

8 | 7 | 6 | 5 | 4 | 3 | 2 | 1

ZONE	REV	DESCRIPTION	DATE	APPROVED
-	NC	INITIAL RELEASE	06/12/13	DSD

D
C
B
A

D
C
B
A



Jerith[®]
 Manufacturing Co., Inc.
 Philadelphia, PA 19154
 (800)344-2242

DRAWING:
RESIDENTIAL PUPPY FENCE
STYLE #202 - 60" HEIGHT

SIZE D	DWG NO. RS60UPUPSN	REV NC
SCALE	DATE 06/12/13	SHEET 1 OF 1

© 2005. This drawing may not be altered or reproduced without the permission of Jerith Manufacturing Co., Inc.

8 7 6 5 4 3 2 1

8 7 6 5 4 3 2 1