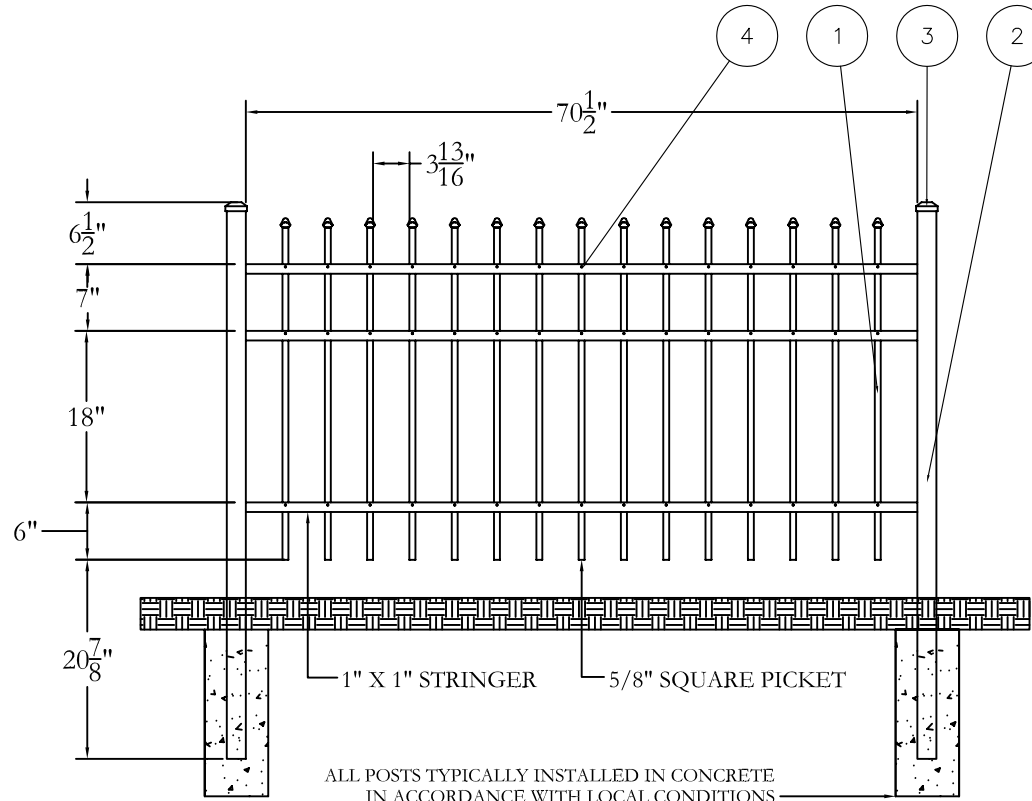
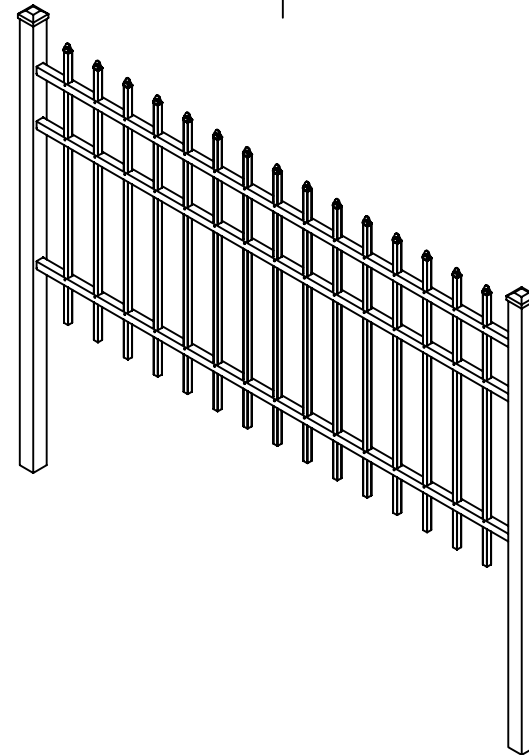


FENCE PARTS		
ITEM	QTY	NAME
1	15	R101 - 36" PICKET
2	2	2" POST
3	2	2" ALUMINUM POST CAP
4	3	72" - 15 HOLE RESIDENTIAL STRINGER

ZONE	REV	DESCRIPTION	DATE	APPROVED
-	NC	INITIAL RELEASE		



ALL POSTS TYPICALLY INSTALLED IN CONCRETE
IN ACCORDANCE WITH LOCAL CONDITIONS
AND STANDARD BUILDING PRACTICES

Jerith[®]
Manufacturing Co., Inc.
Philadelphia, PA 19154
(800)344-2242

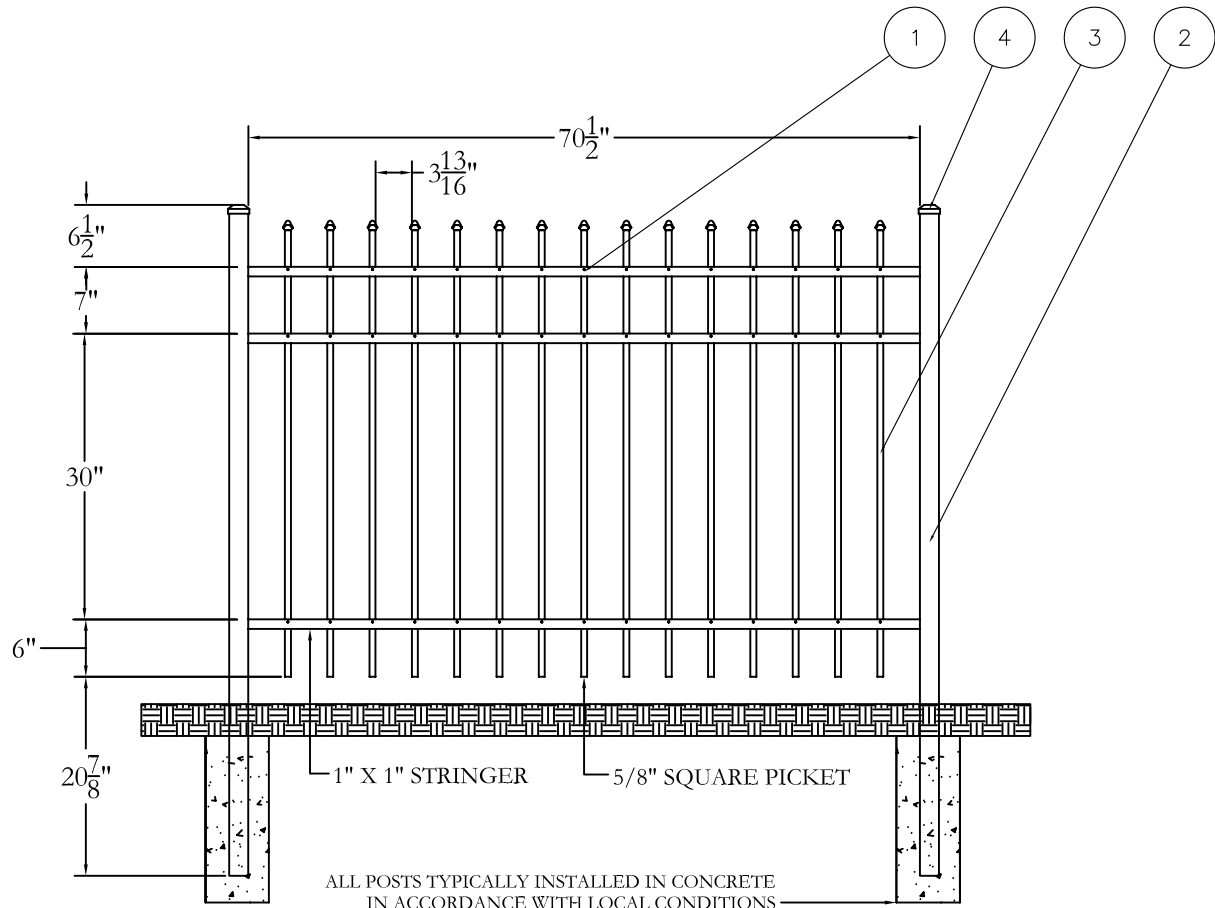
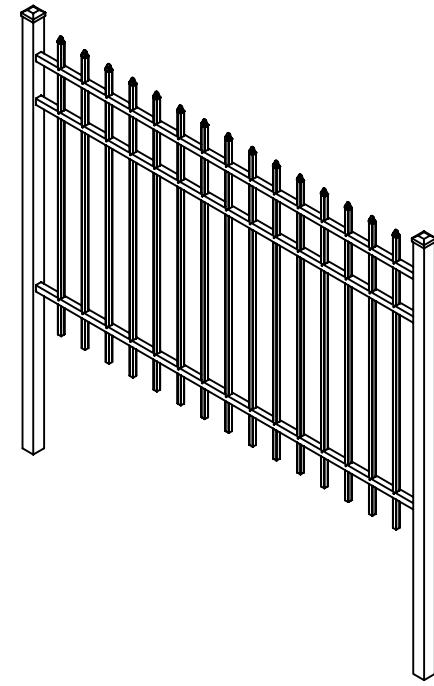
DRAWING:
RESIDENTIAL FENCE
STYLE #101 - 36" HEIGHT

© 2005. This drawing may not be altered
or reproduced without the permission of
Jerith Manufacturing Co., Inc.

SIZE D	DWG NO. RS36U101SN	REV NC
SCALE	DATE 3-1-04	SHEET 1 OF 1

FENCE PARTS		
ITEM	QTY	NAME
1	3	72" - 15 HOLE RESIDENTIAL STRINGER
2	2	2" POST
3	15	R101 - 48" PICKET
4	2	2" ALUMINUM POST CAP

ZONE	REV	DESCRIPTION	DATE	APPROVED
-	NC	INITIAL RELEASE		



Jerith[®]
 Manufacturing Co., Inc.
 Philadelphia, PA 19154
 (800)344-2242

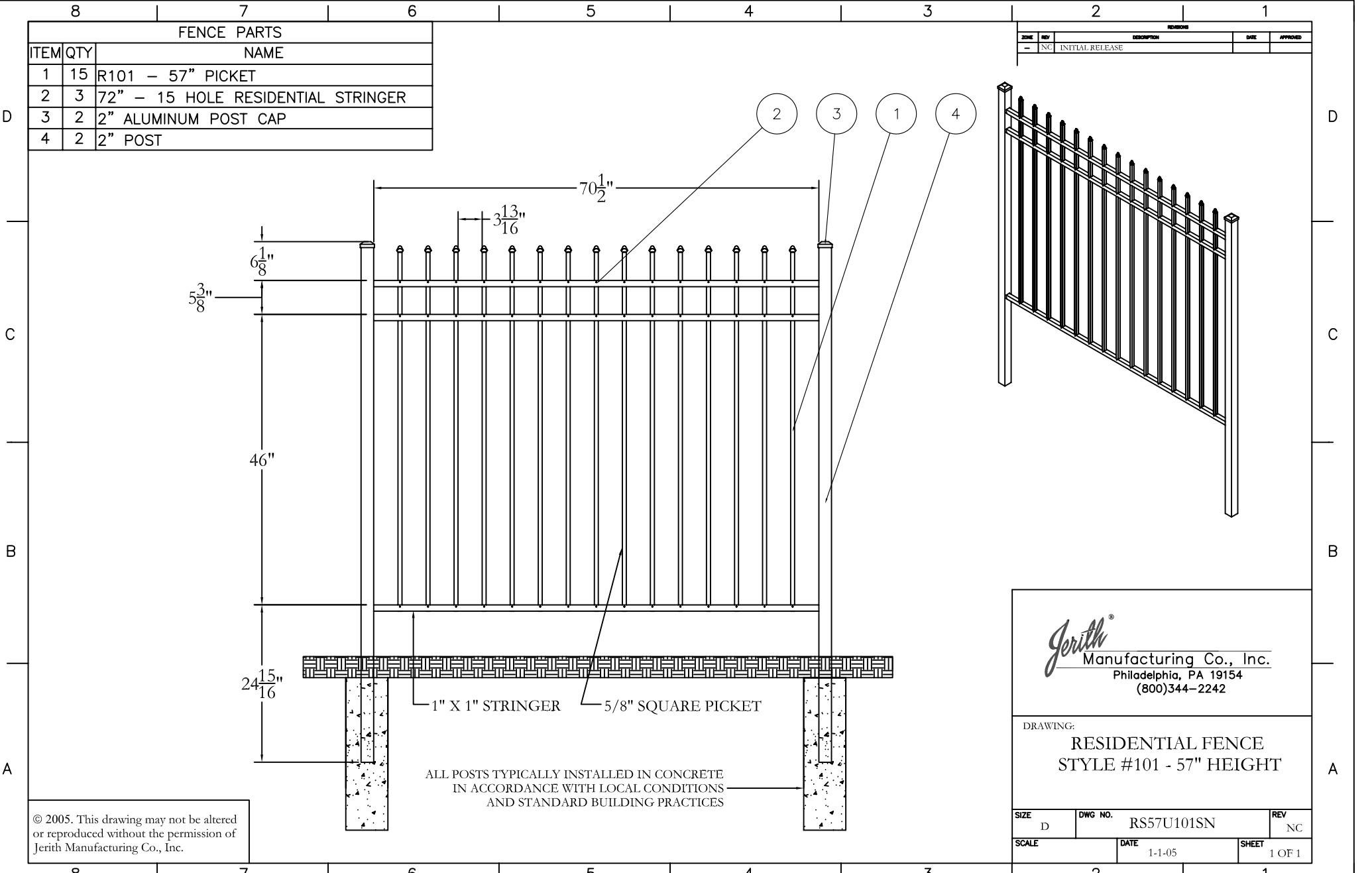
DRAWING:
RESIDENTIAL FENCE
STYLE #101 - 48" HEIGHT

© 2005. This drawing may not be altered or reproduced without the permission of Jerith Manufacturing Co., Inc.

SIZE D	DWG NO. RS48U101SN	REV NC
SCALE	DATE 3-1-04	SHEET 1 OF 1

FENCE PARTS		
ITEM	QTY	NAME
1	15	R101 - 57" PICKET
2	3	72" - 15 HOLE RESIDENTIAL STRINGER
3	2	2" ALUMINUM POST CAP
4	2	2" POST

ZONE	REV	DESCRIPTION	DATE	APPROVED
-	NC	INITIAL RELEASE		



ALL POSTS TYPICALLY INSTALLED IN CONCRETE
IN ACCORDANCE WITH LOCAL CONDITIONS
AND STANDARD BUILDING PRACTICES

Jerith[®]
Manufacturing Co., Inc.
Philadelphia, PA 19154
(800)344-2242

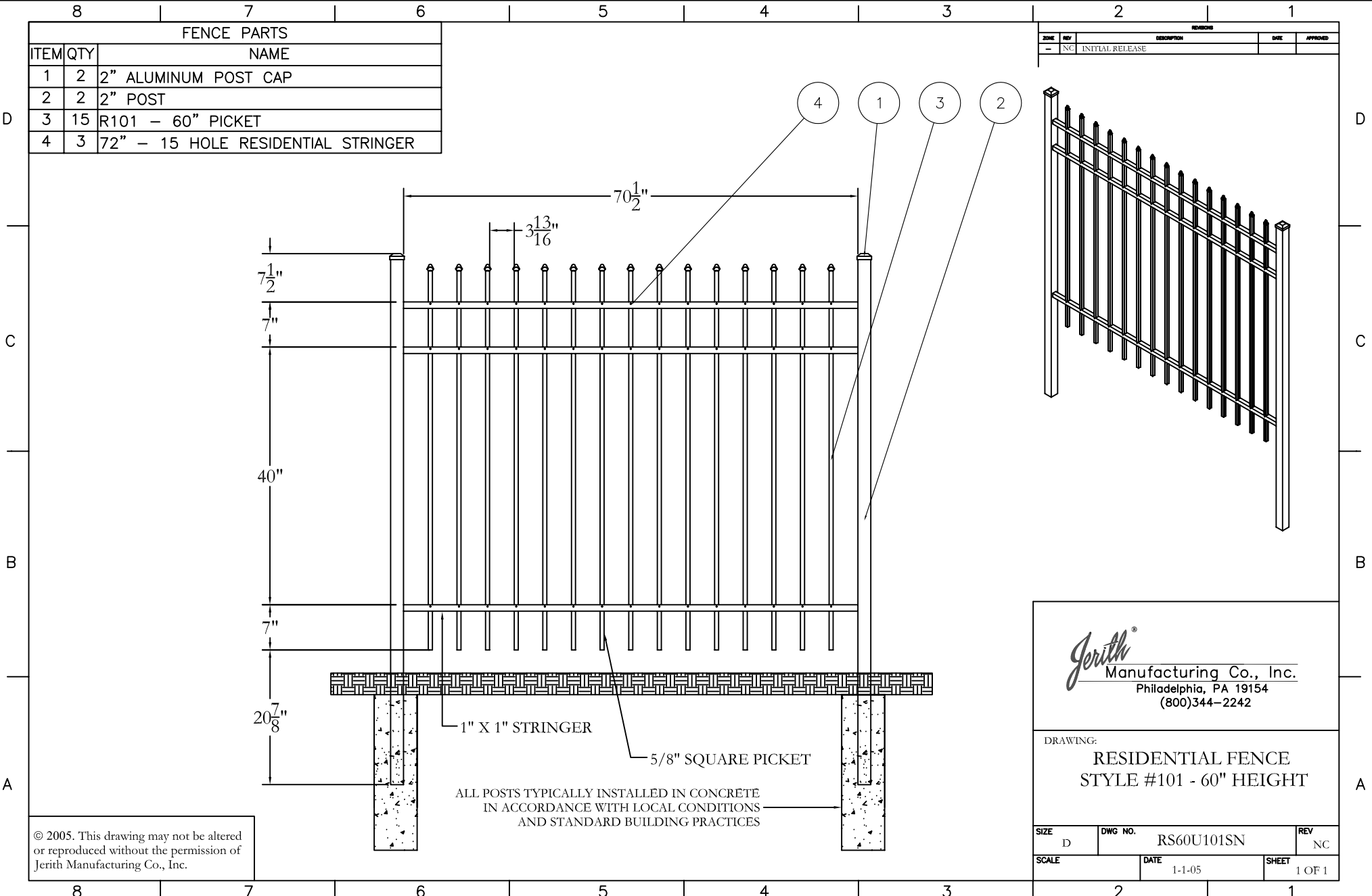
DRAWING:
**RESIDENTIAL FENCE
STYLE #101 - 57" HEIGHT**

© 2005. This drawing may not be altered
or reproduced without the permission of
Jerith Manufacturing Co., Inc.

SIZE D	DWG NO. RS57U101SN	REV NC
SCALE	DATE 1-1-05	SHEET 1 OF 1

FENCE PARTS		
ITEM	QTY	NAME
1	2	2" ALUMINUM POST CAP
2	2	2" POST
3	15	R101 - 60" PICKET
4	3	72" - 15 HOLE RESIDENTIAL STRINGER

ZONE	REV	DESCRIPTION	DATE	APPROVED
-	NC	INITIAL RELEASE		



Jerith
 Manufacturing Co., Inc.
 Philadelphia, PA 19154
 (800)344-2242

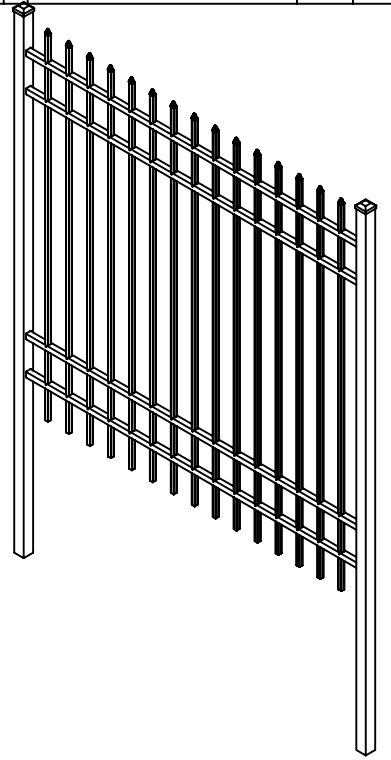
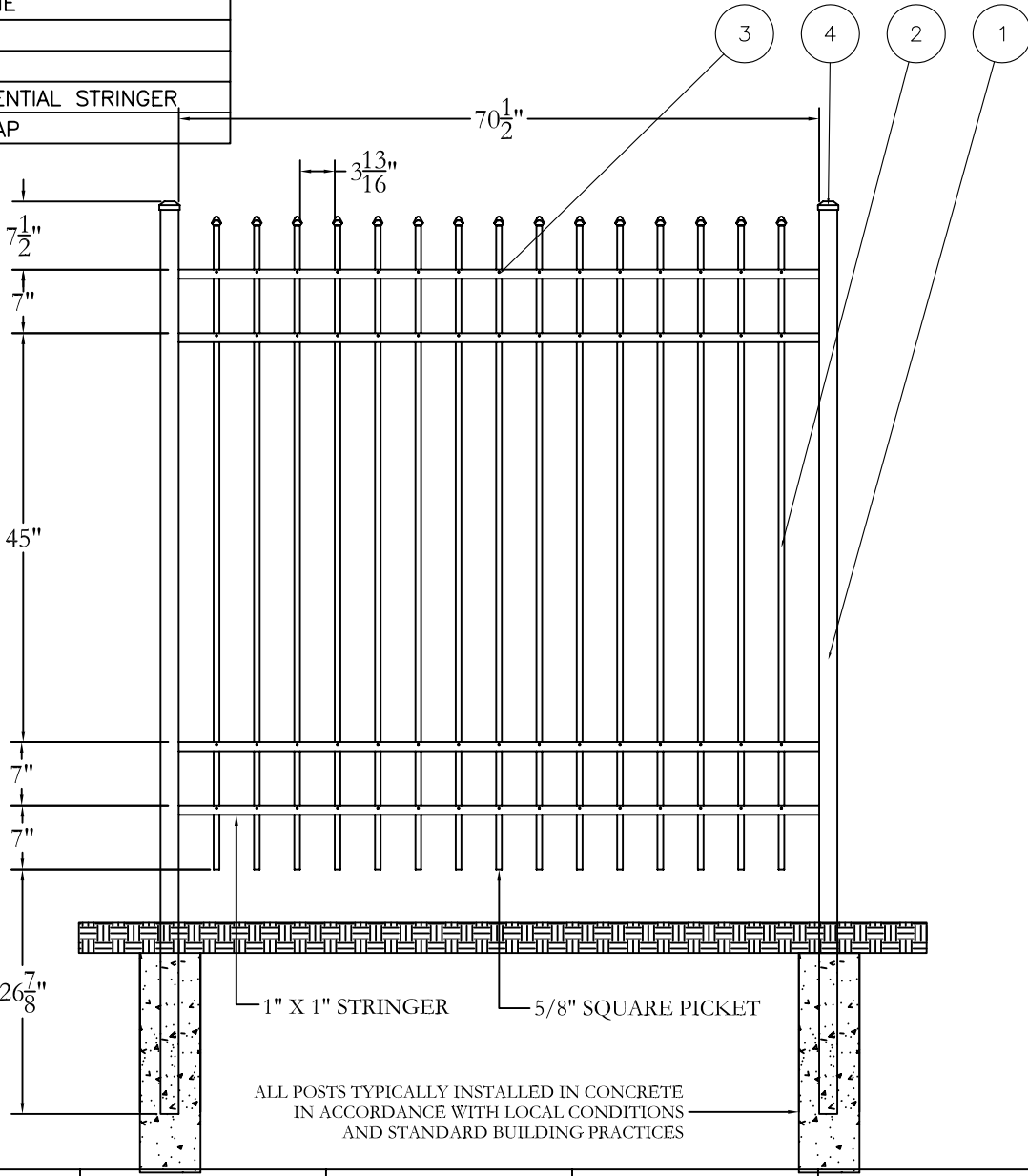
DRAWING:
RESIDENTIAL FENCE
STYLE #101 - 60" HEIGHT

© 2005. This drawing may not be altered or reproduced without the permission of Jerith Manufacturing Co., Inc.

SIZE D	DWG NO. RS60U101SN	REV NC
SCALE	DATE 1-1-05	SHEET 1 OF 1

FENCE PARTS		
ITEM	QTY	NAME
1	2	2" POST
2	15	R101 - 72" PICKET
3	4	72" -15 HOLE RESIDENTIAL STRINGER
4	2	2" ALUMINUM POST CAP

ZONE	REV	DESCRIPTION	DATE	APPROVED
-	NC	INITIAL RELEASE		



Jerith[®]
 Manufacturing Co., Inc.
 Philadelphia, PA 19154
 (800)344-2242

DRAWING:
RESIDENTIAL FENCE
STYLE #101 - 72" HEIGHT

© 2005. This drawing may not be altered or reproduced without the permission of Jerith Manufacturing Co., Inc.

SIZE D	DWG NO. RS72U101SN	REV NC
SCALE	DATE 1-1-05	SHEET 1 OF 1