

FENCE PARTS			
Name	Qty	Item	
72" - 15 HOLE RESIDENTIAL STRINGER	3	1	
HOOP	4	2	
IMPERIAL FINIAL	7	3	
2" ALUMINUM POST CAP	2	4	
R111 - 36" PICKET	8	5	
36" INSERT PICKET	8	6	
2" POST	2	7	

ZONE		REV	DESCRIPTION	DATE	APPROVED
-	NC		INITIAL RELEASE		

D

C

B

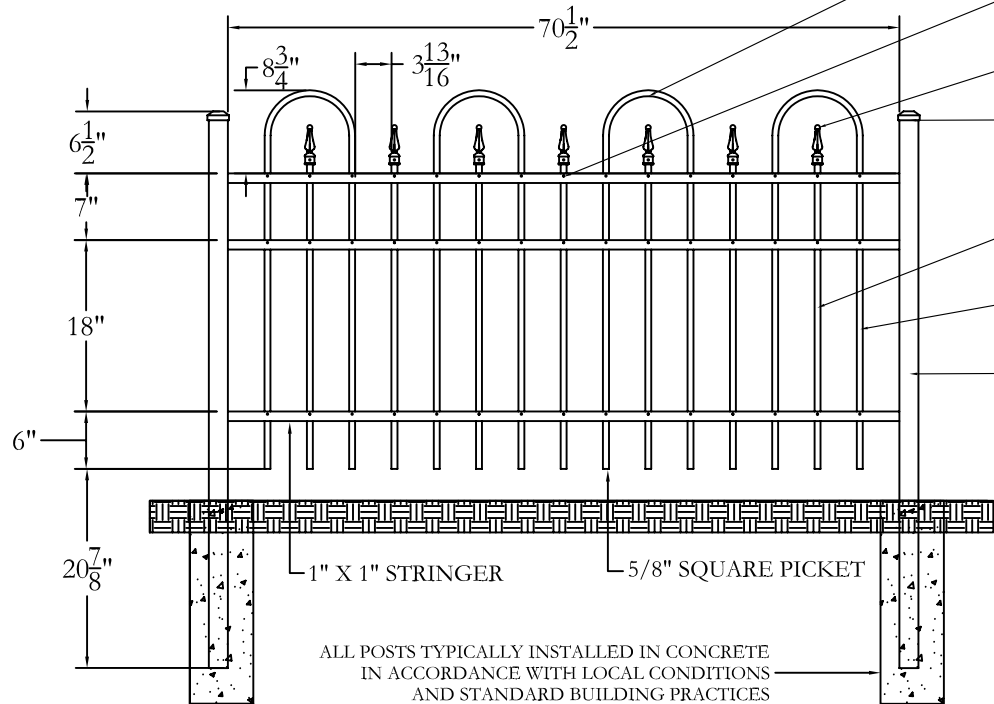
A

D

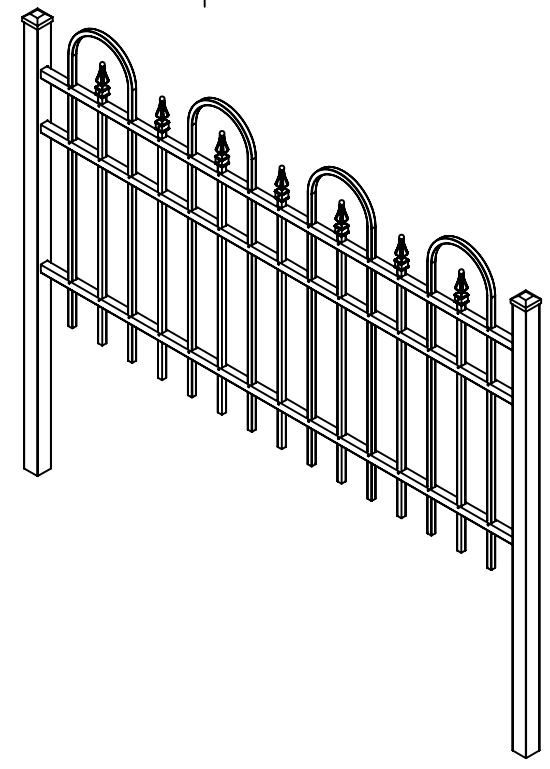
C

B

A



ALL POSTS TYPICALLY INSTALLED IN CONCRETE
IN ACCORDANCE WITH LOCAL CONDITIONS
AND STANDARD BUILDING PRACTICES



Jerith[®]
Manufacturing Co., Inc.
Philadelphia, PA 19154
(800)344-2242

DRAWING:
**RESIDENTIAL FENCE
CONCORD 111I - 36" HEIGHT**

© 2005. This drawing may not be altered
or reproduced without the permission of
Jerith Manufacturing Co., Inc.

SIZE D	DWG NO. RS36UC11SN	REV NC
SCALE	DATE 1-1-05	SHEET 1 OF 1

FENCE PARTS		
Name	Qty	Item
2" POST	2	1
72" - 15 HOLE RESIDENTIAL STRINGER	3	2
48" INSERT PICKET	8	3
2" ALUMINUM POST CAP	2	4
R111 - 48" PICKET	7	6
IMPERIAL FINIAL	7	7
HOOP	4	5

ZONE		REV	DESCRIPTION	DATE	APPROVED
-	NC	INITIAL RELEASE			

D

C

B

A

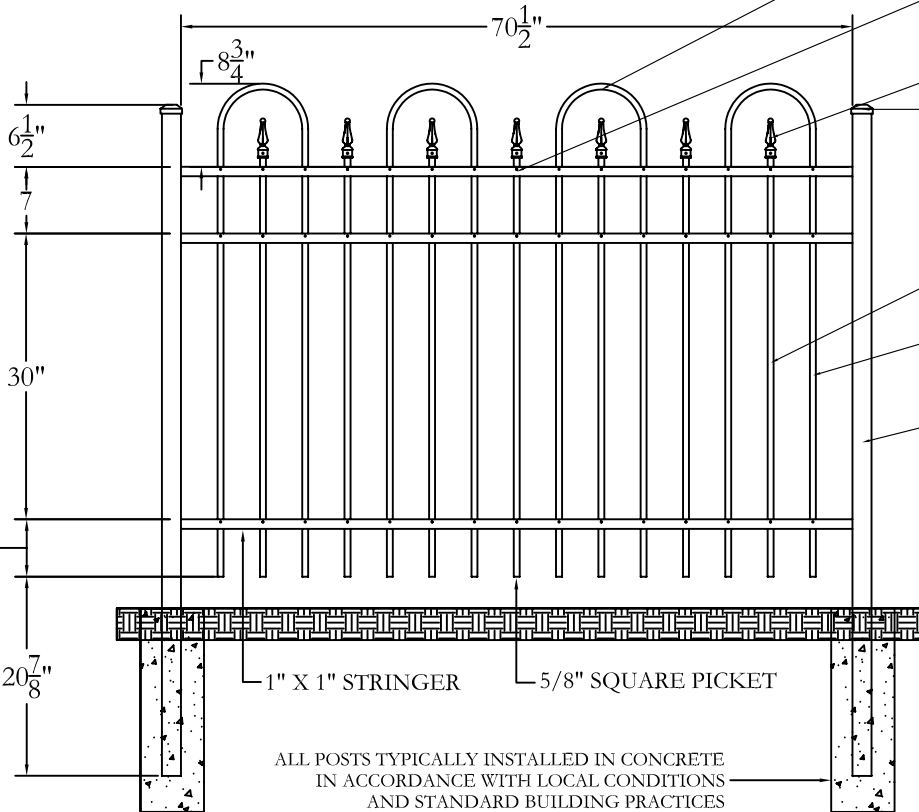
D

C

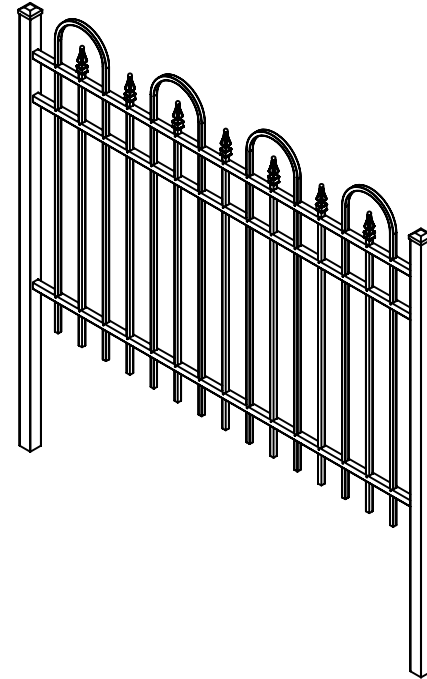
B

A

8 7 6 5 4 3 2 1



ALL POSTS TYPICALLY INSTALLED IN CONCRETE
IN ACCORDANCE WITH LOCAL CONDITIONS
AND STANDARD BUILDING PRACTICES



Jerith[®]
Manufacturing Co., Inc.
Philadelphia, PA 19154
(800)344-2242

DRAWING:

RESIDENTIAL FENCE
CONCORD 1111 - 48" HEIGHT

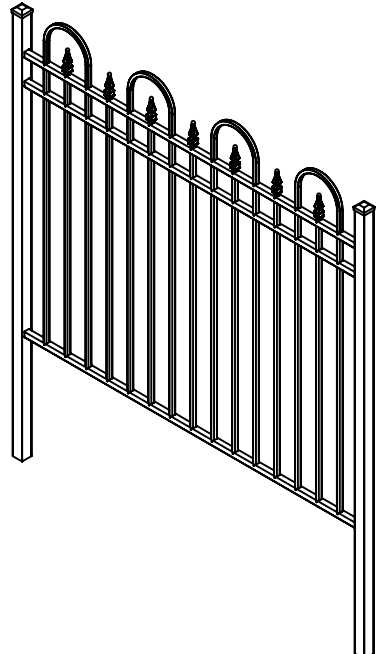
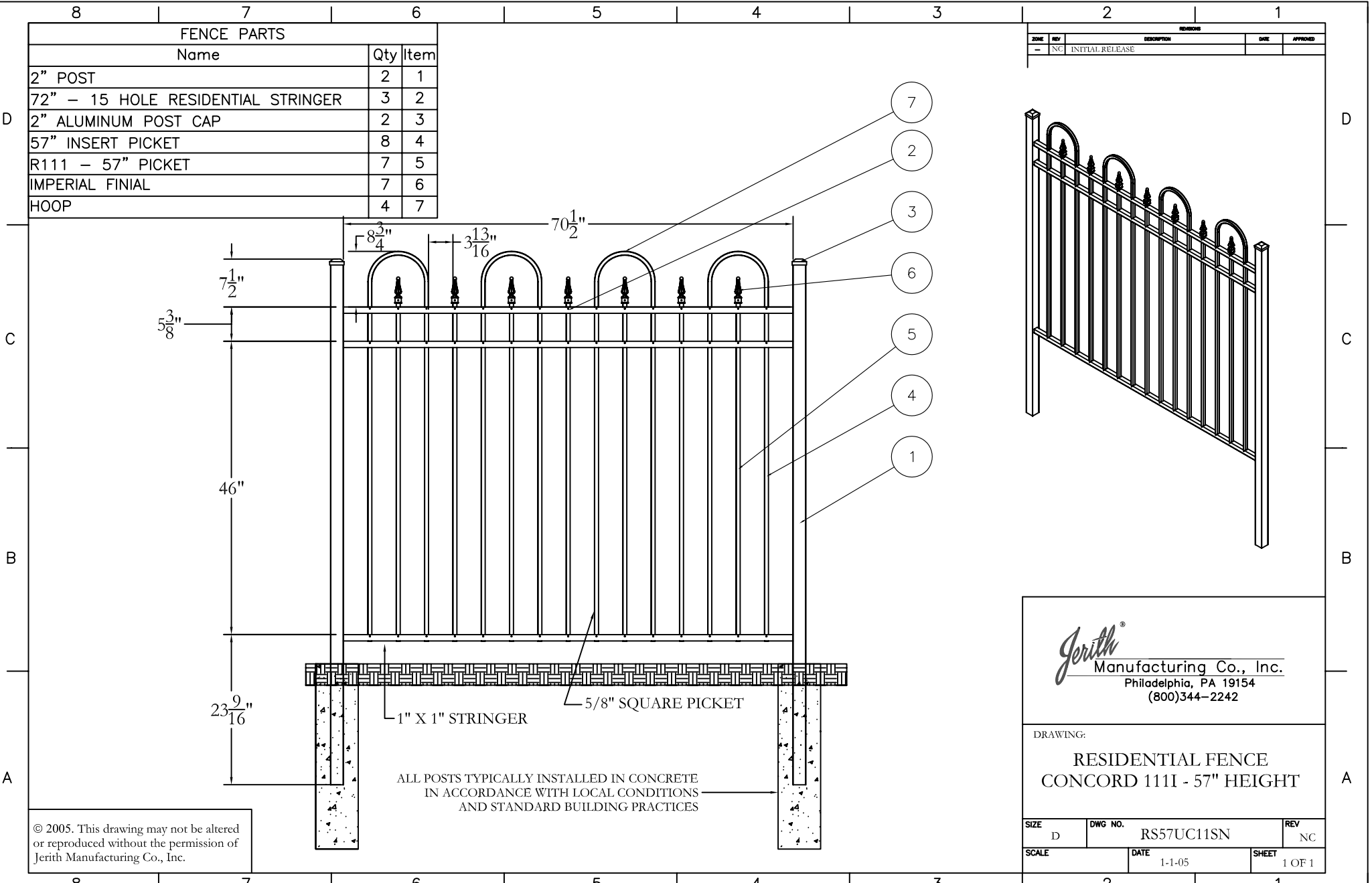
© 2005. This drawing may not be altered
or reproduced without the permission of
Jerith Manufacturing Co., Inc.

SIZE D	DWG NO. RS48UC11SN	REV NC
SCALE	DATE 1-1-05	SHEET 1 OF 1

8 7 6 5 4 3 2 1

FENCE PARTS		
Name	Qty	Item
2" POST	2	1
72" - 15 HOLE RESIDENTIAL STRINGER	3	2
2" ALUMINUM POST CAP	2	3
57" INSERT PICKET	8	4
R111 - 57" PICKET	7	5
IMPERIAL FINIAL	7	6
HOOP	4	7

ZONE	REV	DESCRIPTION	DATE	APPROVED
-	NC	INITIAL RELEASE		



Jerith[®]
 Manufacturing Co., Inc.
 Philadelphia, PA 19154
 (800)344-2242

DRAWING:
**RESIDENTIAL FENCE
 CONCORD 1111 - 57" HEIGHT**

SIZE D	DWG NO. RS57UC11SN	REV NC
SCALE	DATE 1-1-05	SHEET 1 OF 1

© 2005. This drawing may not be altered or reproduced without the permission of Jerith Manufacturing Co., Inc.

FENCE PARTS		
Name	Qty	Item
2" POST	2	1
72" - 15 HOLE RESIDENTIAL STRINGER	3	2
60" INSERT PICKET	8	3
2" ALUMINUM POST CAP	2	4
R111 - 60" PICKET	7	5
IMPERIAL FINIAL	7	6
HOOP	4	7

ZONE	REV	DESCRIPTION	DATE	APPROVED
-	NC	INITIAL RELEASE		

D

C

B

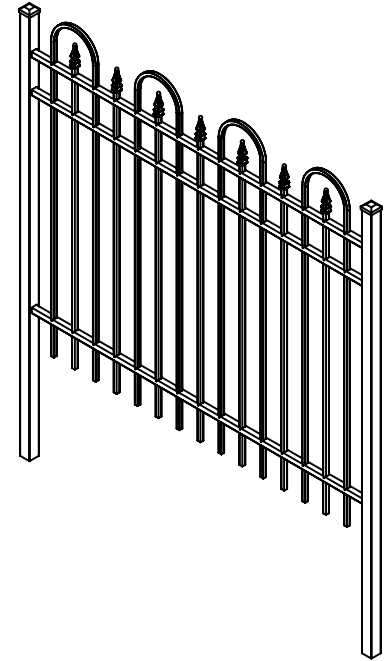
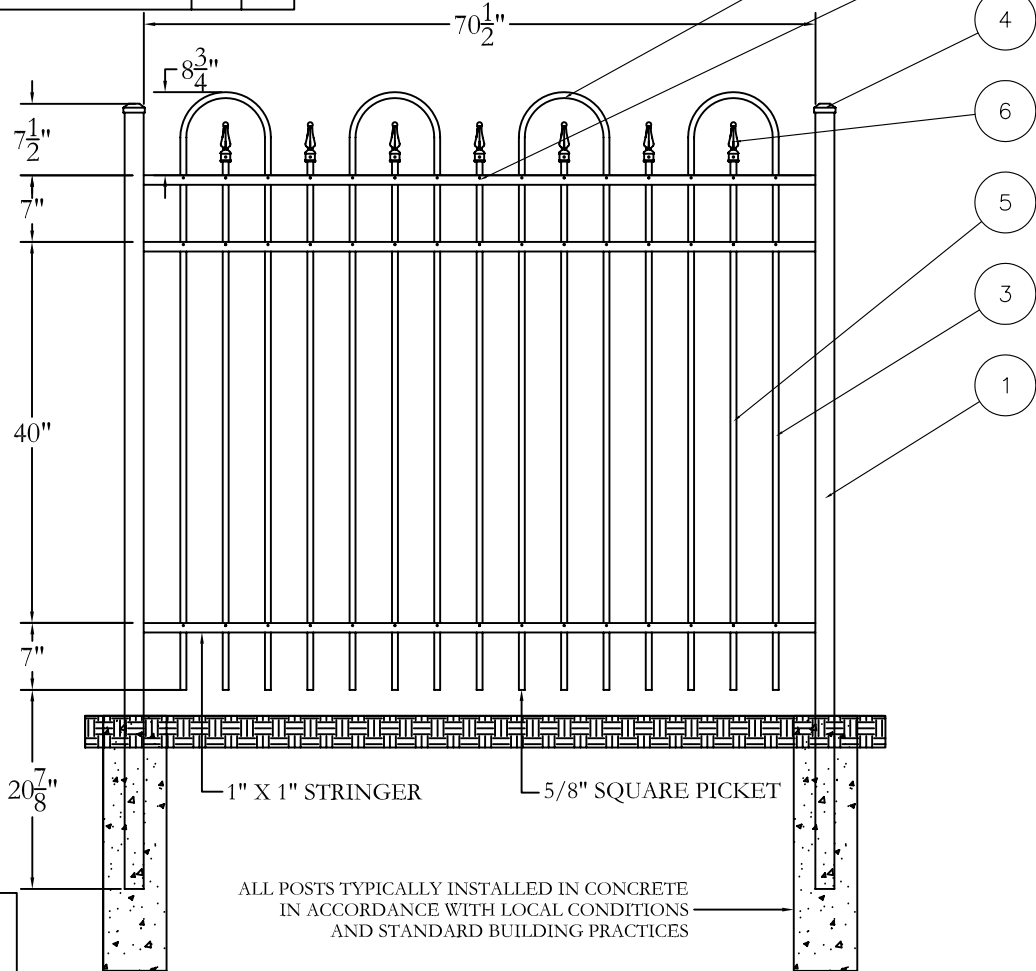
A

D

C

B

A



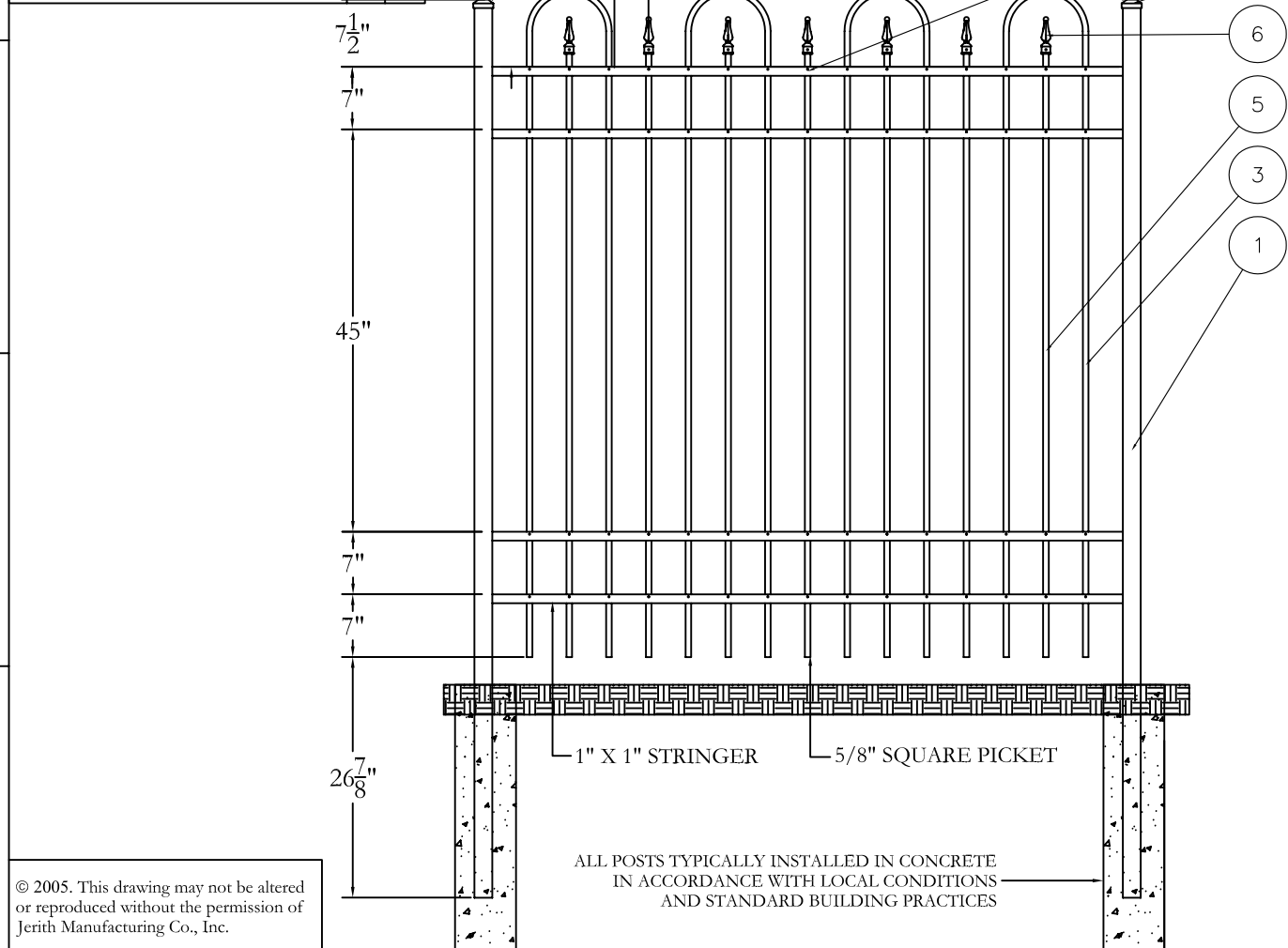
Jerith[®]
 Manufacturing Co., Inc.
 Philadelphia, PA 19154
 (800)344-2242

DRAWING:
**RESIDENTIAL FENCE
 CONCORD 111I - 60" HEIGHT**

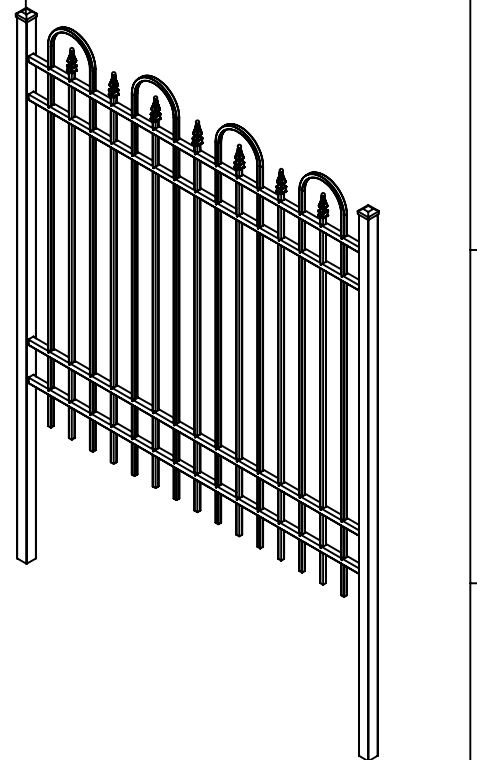
© 2005. This drawing may not be altered or reproduced without the permission of Jerith Manufacturing Co., Inc.

SIZE D	DWG NO. RS60UC11SN	REV NC
SCALE	DATE 1-1-05	SHEET 1 OF 1

FENCE PARTS		
Name	Qty	Item
2" POST	2	1
72" - 15 HOLE RESIDENTIAL STRINGER	4	2
72" INSERT PICKET	8	3
2" ALUMINUM POST CAP	2	4
R111 - 72" PICKET	7	5
IMPERIAL FINIAL	7	6
HOOP	14	7



ZONE	REV	DESCRIPTION	DATE	APPROVED
-	NC	INITIAL RELEASE		



Jerith[®]
 Manufacturing Co., Inc.
 Philadelphia, PA 19154
 (800)344-2242

DRAWING:
**RESIDENTIAL FENCE
 CONCORD 111I - 72" HEIGHT**

SIZE D	DWG NO. RS72UC11SN	REV NC
SCALE	DATE 1-1-05	SHEET 1 OF 1

© 2005. This drawing may not be altered or reproduced without the permission of Jerith Manufacturing Co., Inc.

ALL POSTS TYPICALLY INSTALLED IN CONCRETE IN ACCORDANCE WITH LOCAL CONDITIONS AND STANDARD BUILDING PRACTICES