

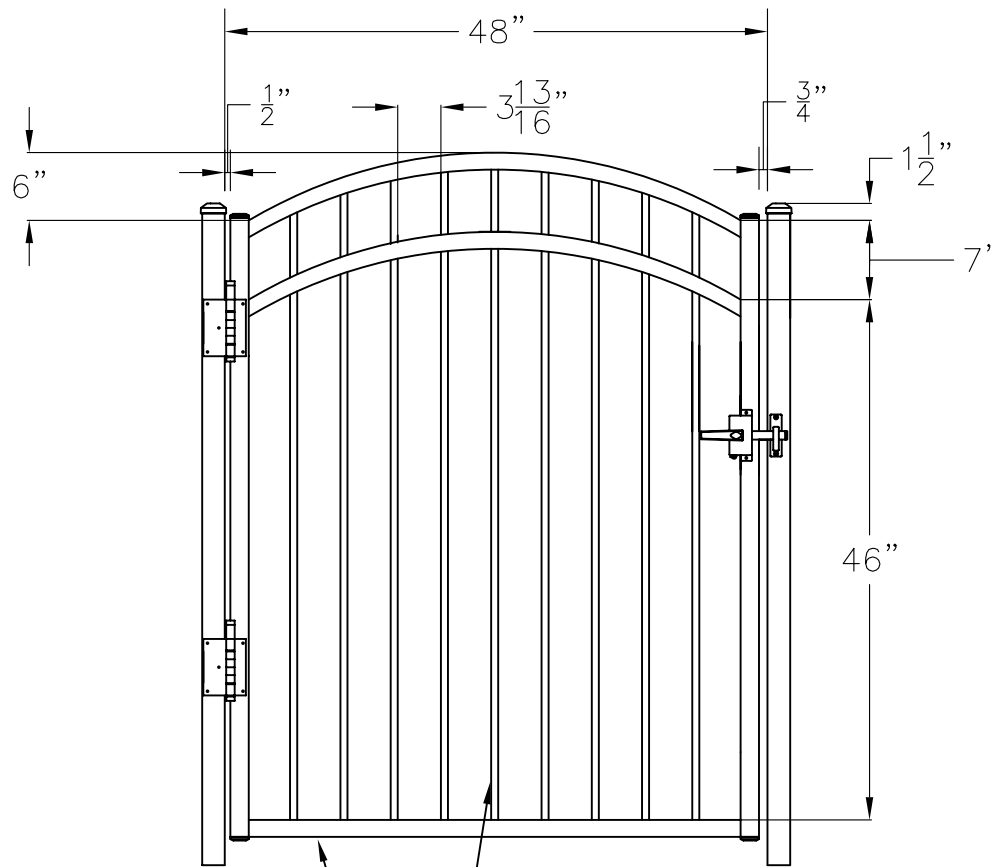
1" X 1-1/2" STRINGER

5" SQUARE PICKET

Jerith[®]
 Manufacturing Co., Inc.
 Philadelphia, PA 19154
 (800)344-2242

Drawing
RESIDENTIAL ACCENT GATE
STYLE #202
48" HIGH X 48" WIDE

Date **September 2004** Drawing No.
 Copyright 2004
 This drawing
 may not be altered
 without permission of
 Jerith Manufacturing Co., Inc. **RS48U20248**



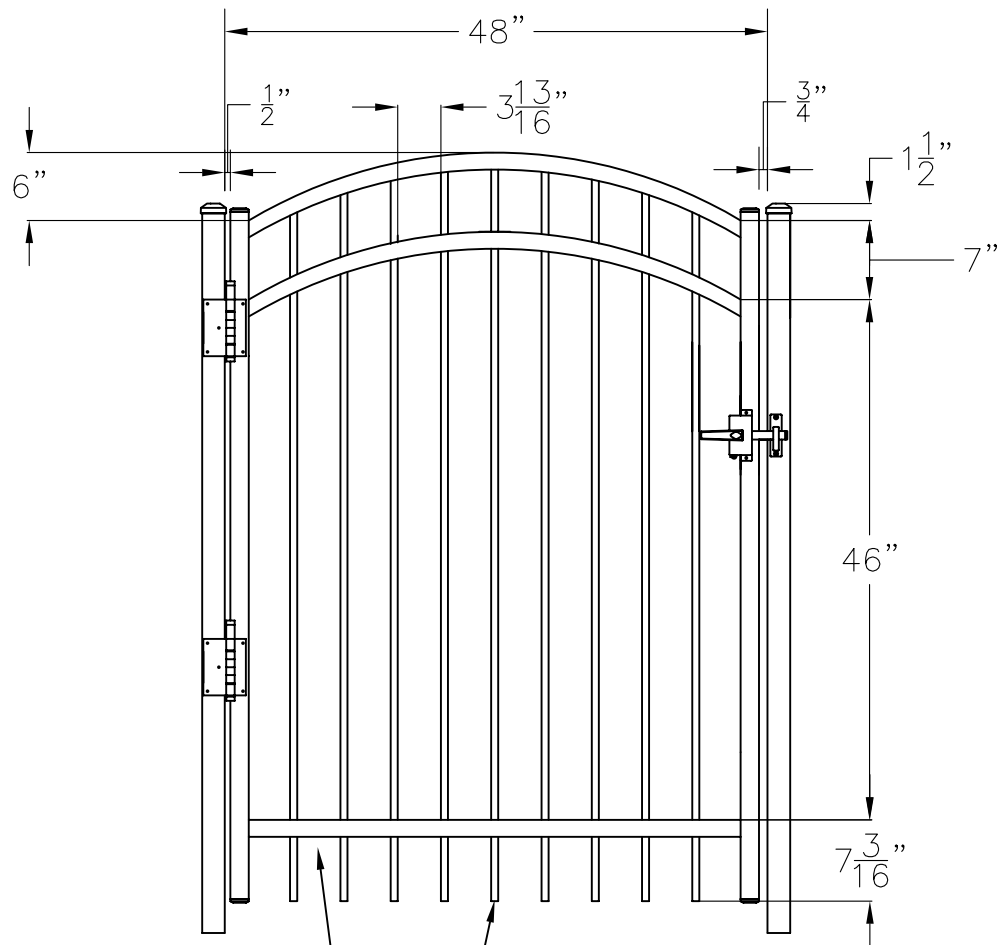
1" X 1-1/2" STRINGER

5/8" SQUARE PICKET

Jerith[®]
 Manufacturing Co., Inc.
 Philadelphia, PA 19154
 (800)344-2242

Drawing
RESIDENTIAL ACCENT GATE
STYLE #202
54" HIGH X 48" WIDE

Date **September 2004** Drawing No.
 Copyright 2004
 This drawing
 may not be altered
 without permission of
 Jerith Manufacturing Co., Inc. **RS54U20248**



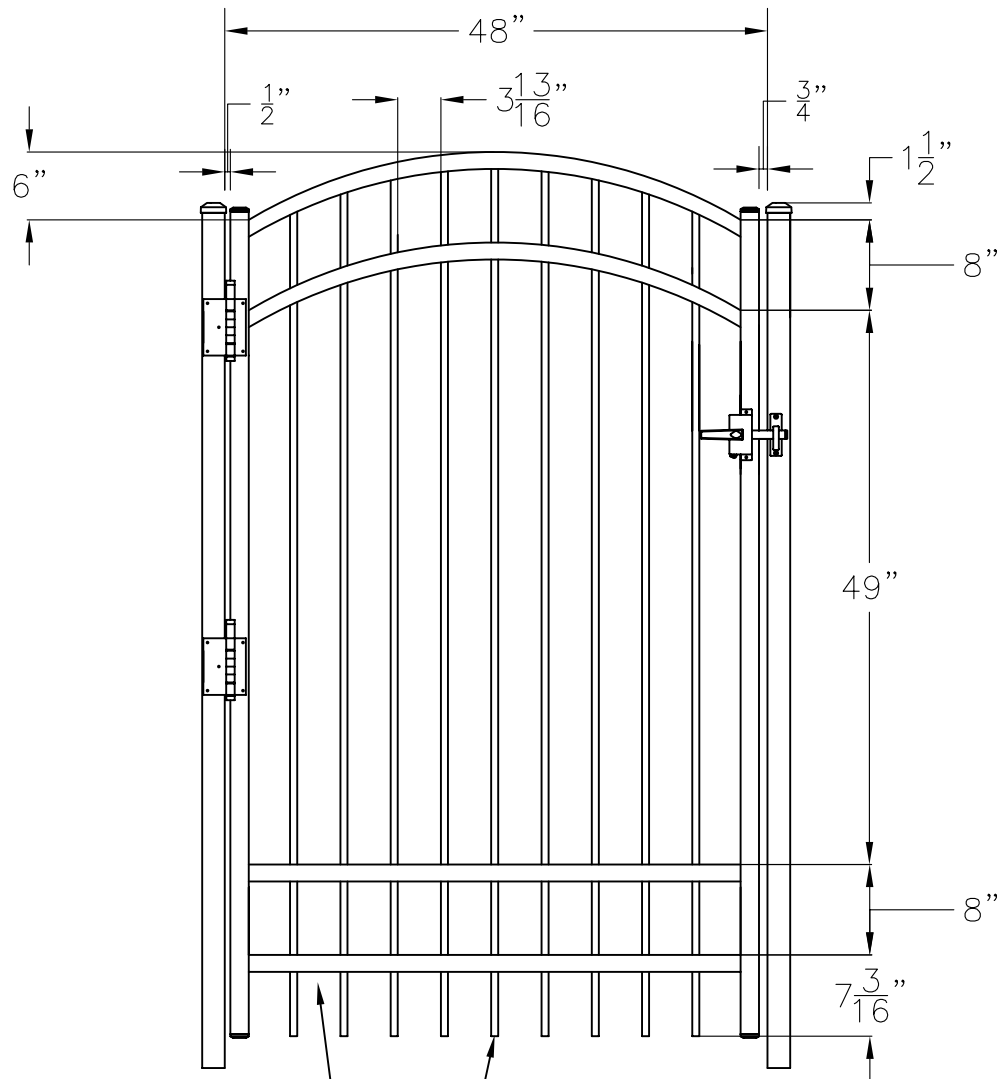
1" X 1-1/2" STRINGER

5/8" SQUARE PICKET

Jerith[®]
 Manufacturing Co., Inc.
 Philadelphia, PA 19154
 (800)344-2242

Drawing
RESIDENTIAL ACCENT GATE
STYLE #202
60" HIGH X 48" WIDE

Date **September 2004** Drawing No.
 Copyright 2004
 This drawing
 may not be altered
 without permission of
 Jerith Manufacturing Co., Inc. **RS60U20248**



1" X 1-1/2" STRINGER

5/8" SQUARE PICKET

Jerith[®]
 Manufacturing Co., Inc.
 Philadelphia, PA 19154
 (800)344-2242

Drawing
RESIDENTIAL ACCENT GATE
STYLE #202
72" HIGH X 48" WIDE

Date September 2004

Drawing No.

Copyright 2004
 This drawing
 may not be altered
 without permission of
 Jerith Manufacturing Co., Inc.

RS72U20248