

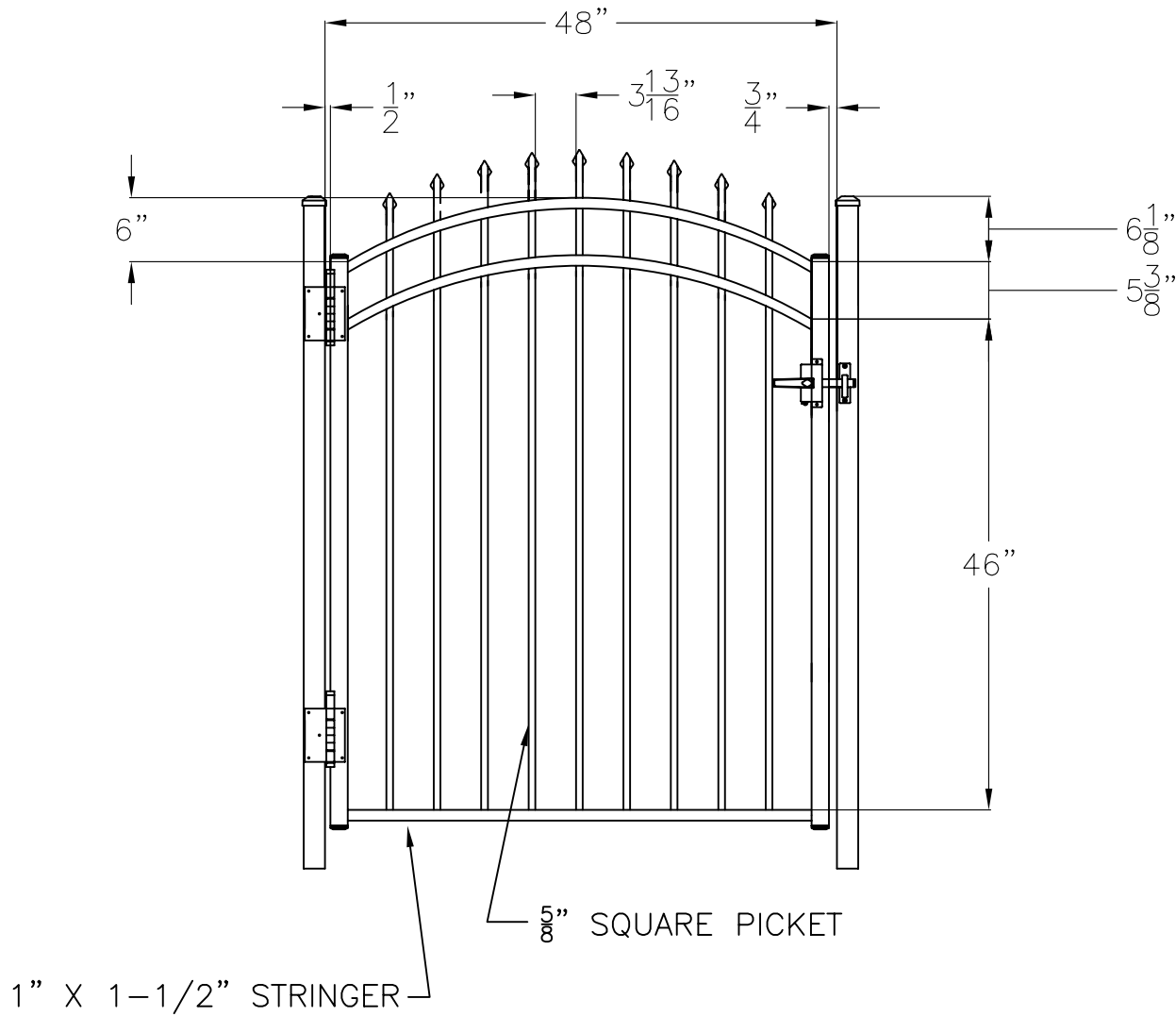
1" X 1-1/2" STRINGER

5/8" SQUARE PICKET

Jerith[®]
 Manufacturing Co., Inc.
 Philadelphia, PA 19154
 (800)344-2242

Drawing
RESIDENTIAL ACCENT GATE
STYLE #101
48" HIGH X 48" WIDE

Date **September 2004** Drawing No.
 Copyright 2004
 This drawing
 may not be altered
 without permission of
 Jerith Manufacturing Co., Inc. **RS48U10148**



Jerith[®]
 Manufacturing Co., Inc.
 Philadelphia, PA 19154
 (800)344-2242

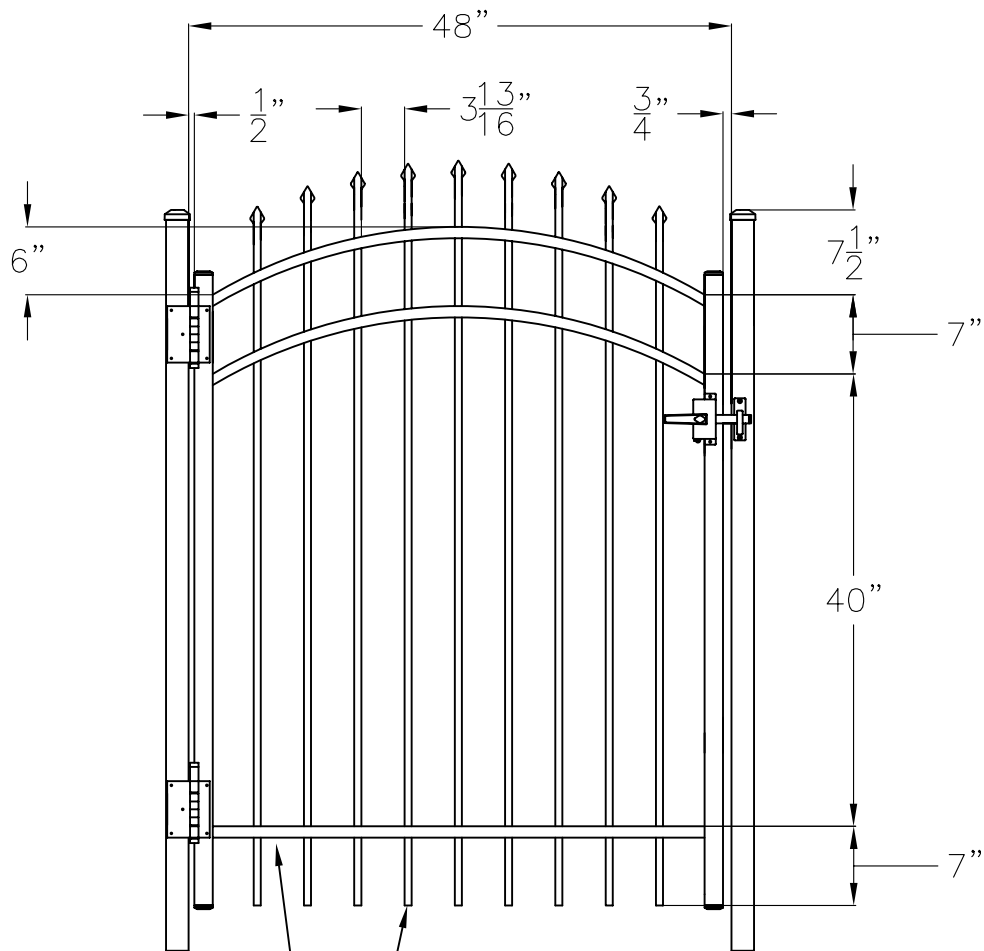
Drawing
RESIDENTIAL ACCENT GATE
STYLE #101
57" HIGH X 48" WIDE

Date **September 2004**

Drawing No.

Copyright 2004
 This drawing
 may not be altered
 without permission of
 Jerith Manufacturing Co., Inc.

RS57U10148



1" X 1-1/2" STRINGER

5/8" SQUARE PICKET

Jerith[®]
 Manufacturing Co., Inc.
 Philadelphia, PA 19154
 (800)344-2242

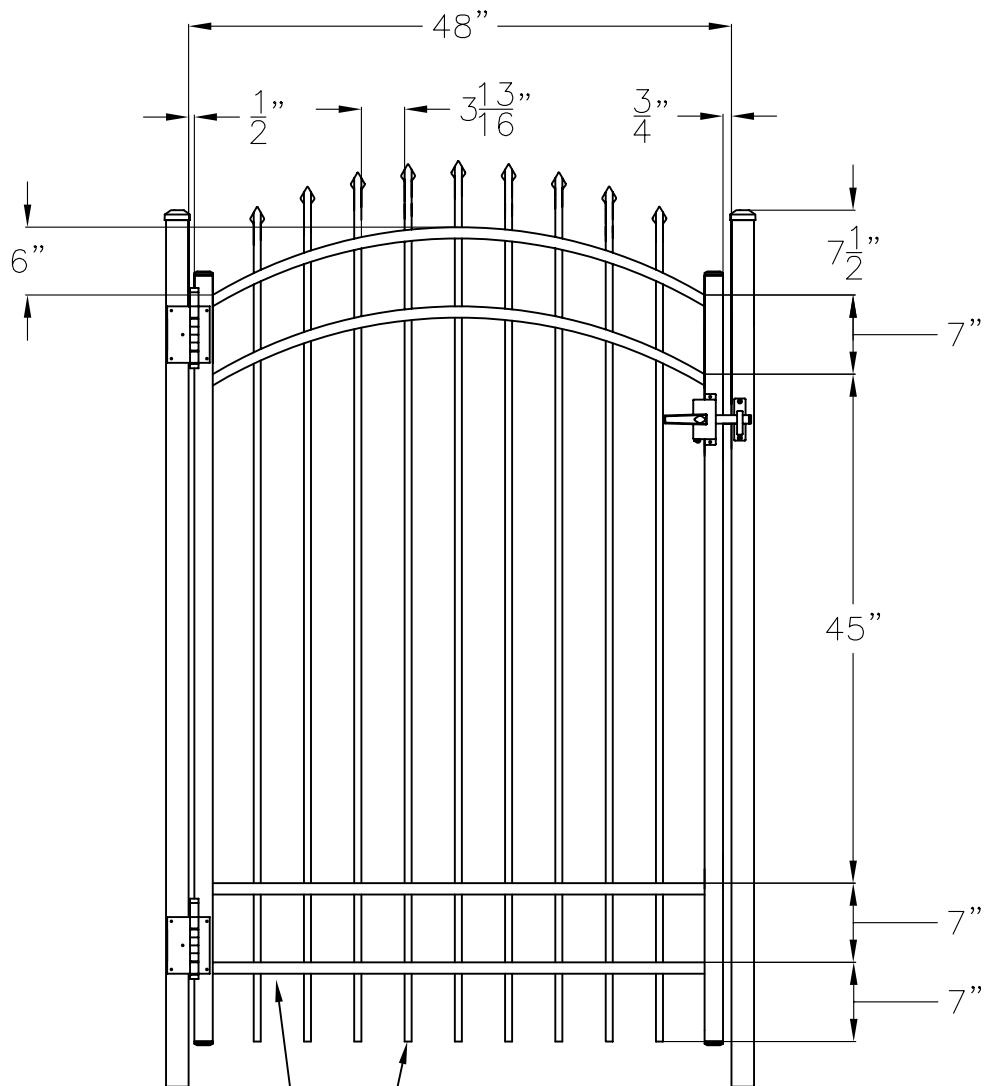
Drawing
RESIDENTIAL ACCENT GATE
STYLE #101
60" HIGH X 48" WIDE

Date **September 2004**

Drawing No.

Copyright 2004
 This drawing
 may not be altered
 without permission of
 Jerith Manufacturing Co., Inc.

RS60U10148



1" X 1-1/2" STRINGER

5/8" SQUARE PICKET

Jerith[®]
 Manufacturing Co., Inc.
 Philadelphia, PA 19154
 (800)344-2242

RESIDENTIAL ACCENT GATE
STYLE #101
72" HIGH X 48" WIDE

Date **September 2004** Drawing No. **RS72U10148**
 Copyright 2004
 This drawing
 may not be altered
 without permission of
 Jerith Manufacturing Co., Inc.