

1" X 1-1/2" STRINGER

5" SQUARE PICKET

Jerith[®]
 Manufacturing Co., Inc.
 Philadelphia, PA 19154
 (800)344-2242

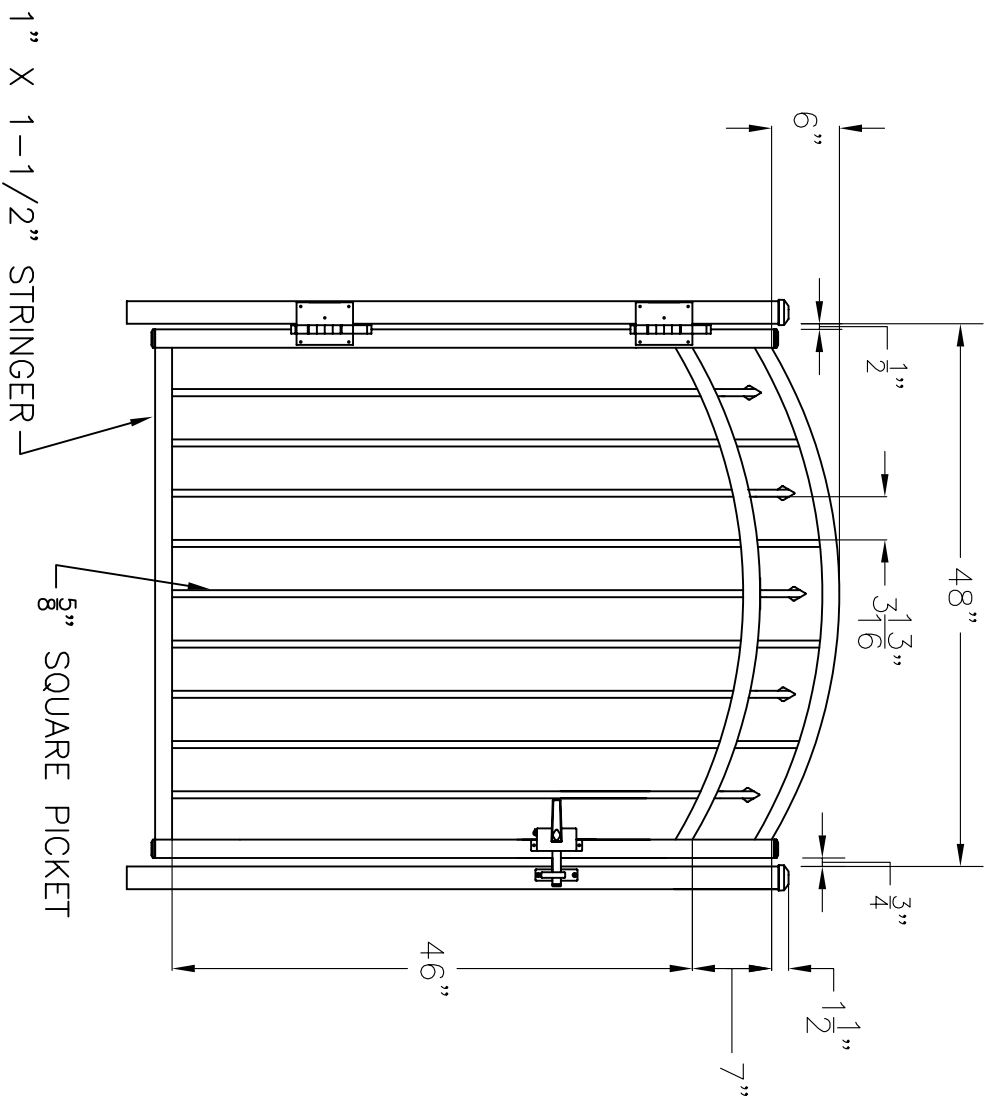
Drawing
RESIDENTIAL ACCENT GATE
STYLE #200
48" HIGH X 48" WIDE

Date **September 2004**

Drawing No.

Copyright 2004
 This drawing
 may not be altered
 without permission of
 Jerith Manufacturing Co., Inc.

RS48U20048



Jenith
 Manufacturing Co., Inc.
 Philadelphia, PA 19154
 (800)344-2242

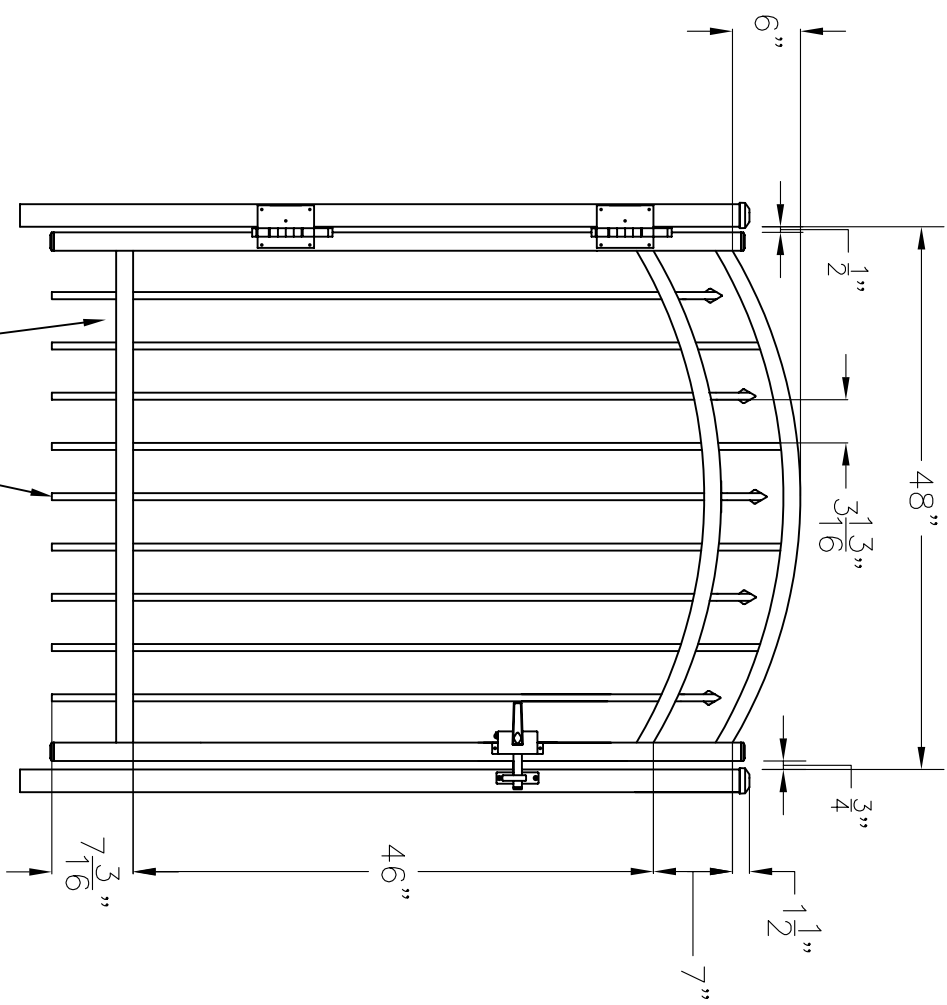
Residential ACCENT GATE
 STYLE #200
 54" HIGH X 48" WIDE

Date: September 2004 Drawing No.

Copyright 2004
 No part of this drawing
 may be reproduced
 without permission of
 Jenith Manufacturing Co., Inc.
 RS54U20048

1" X 1-1/2" STRINGER

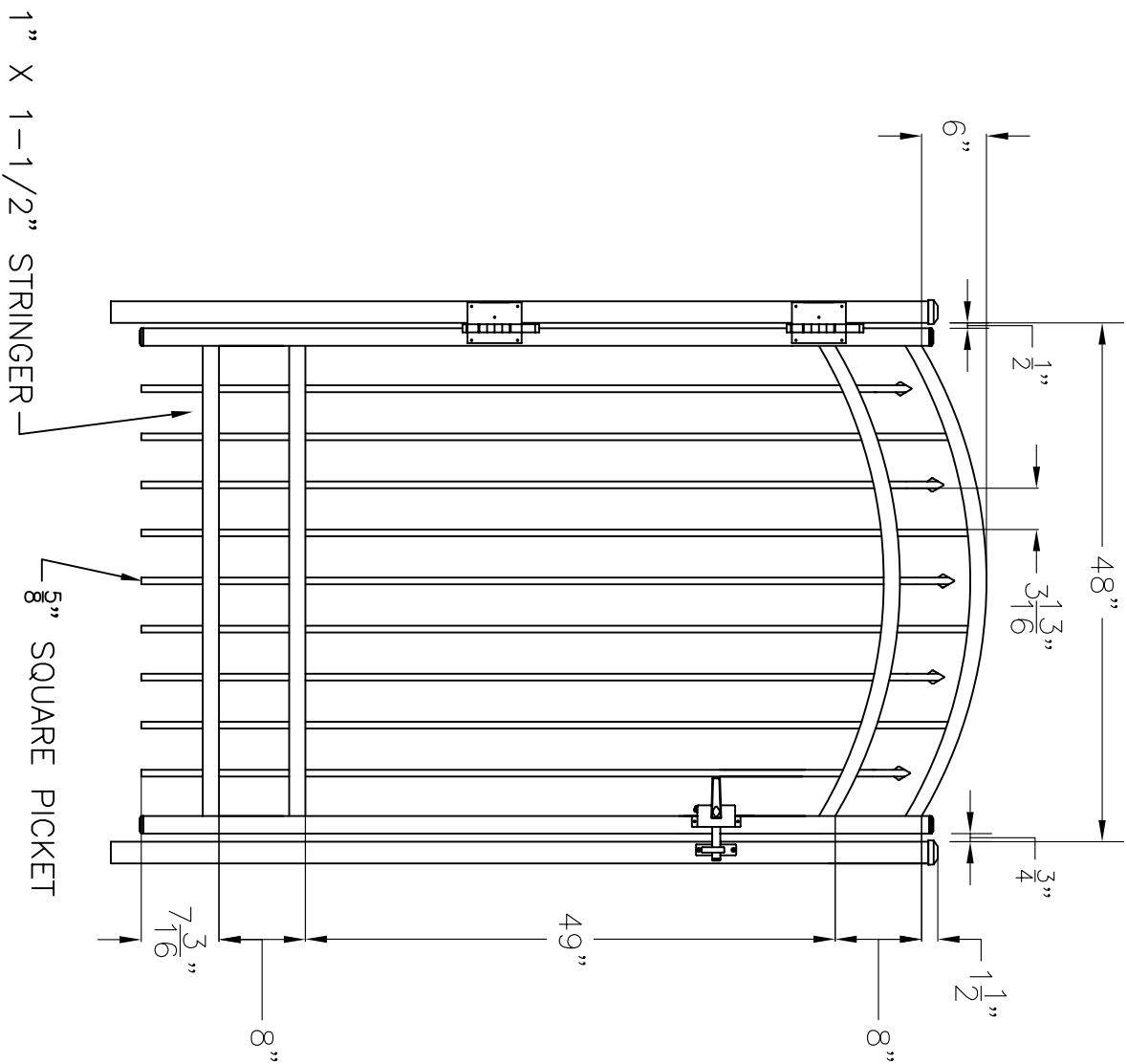
5" SQUARE PICKET



Jenith
Manufacturing Co., Inc.
Philadelphia, PA 19154
(800)344-2242

Residential ACCENT GATE
STYLE #200
60" HIGH X 48" WIDE

Date September 2004
Copyright 2004
Drawing No. RS60U20048
This drawing may be reproduced without permission of Jenith Manufacturing Co., Inc.



jerrell
 Manufacturing Co., Inc.
 Philadelphia, PA 19154
 (800)344-2242

Residential ACCENT GATE
 STYLE #200
 72" HIGH X 48" WIDE

Copyright 2004
 All rights reserved.
 No part of this drawing may be reproduced without permission of Jerrell Manufacturing Co., Inc.

Ordering No. RS72U20048