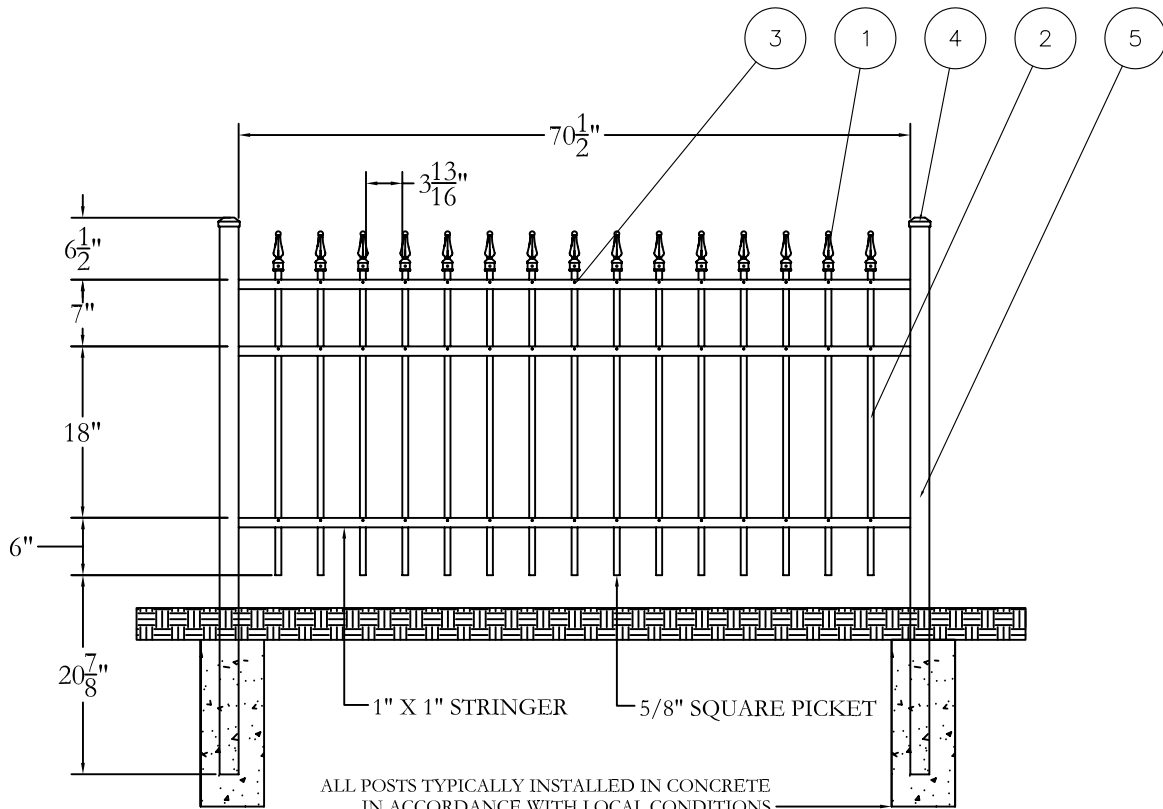
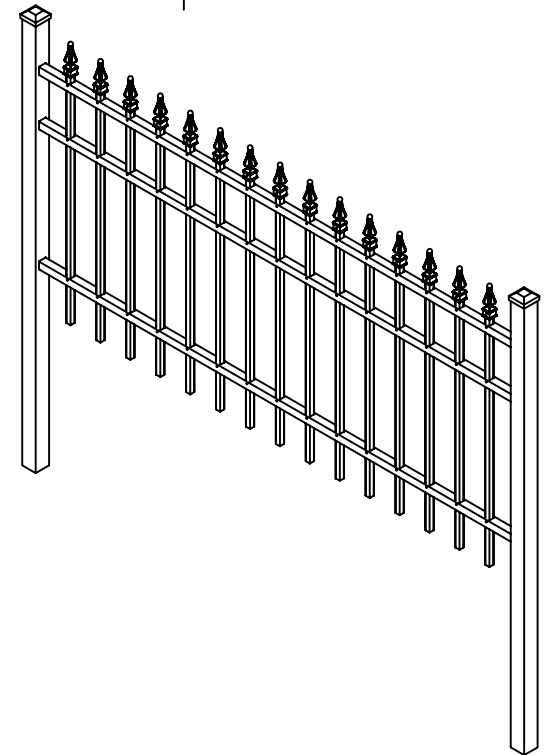


FENCE PARTS		
ITEM	QTY	NAME
1	15	IMPERIAL FINIAL
2	15	R111 - 36" PICKET
3	3	72" - 15 HOLE RESIDENTIAL STRINGER
4	2	2" ALUMINUM POST CAP
5	2	2" POST

ZONE	REV	DESCRIPTION	DATE	APPROVED
-	NC	INITIAL RELEASE		



ALL POSTS TYPICALLY INSTALLED IN CONCRETE  
IN ACCORDANCE WITH LOCAL CONDITIONS  
AND STANDARD BUILDING PRACTICES

*Jerith*<sup>®</sup>  
Manufacturing Co., Inc.  
Philadelphia, PA 19154  
(800)344-2242

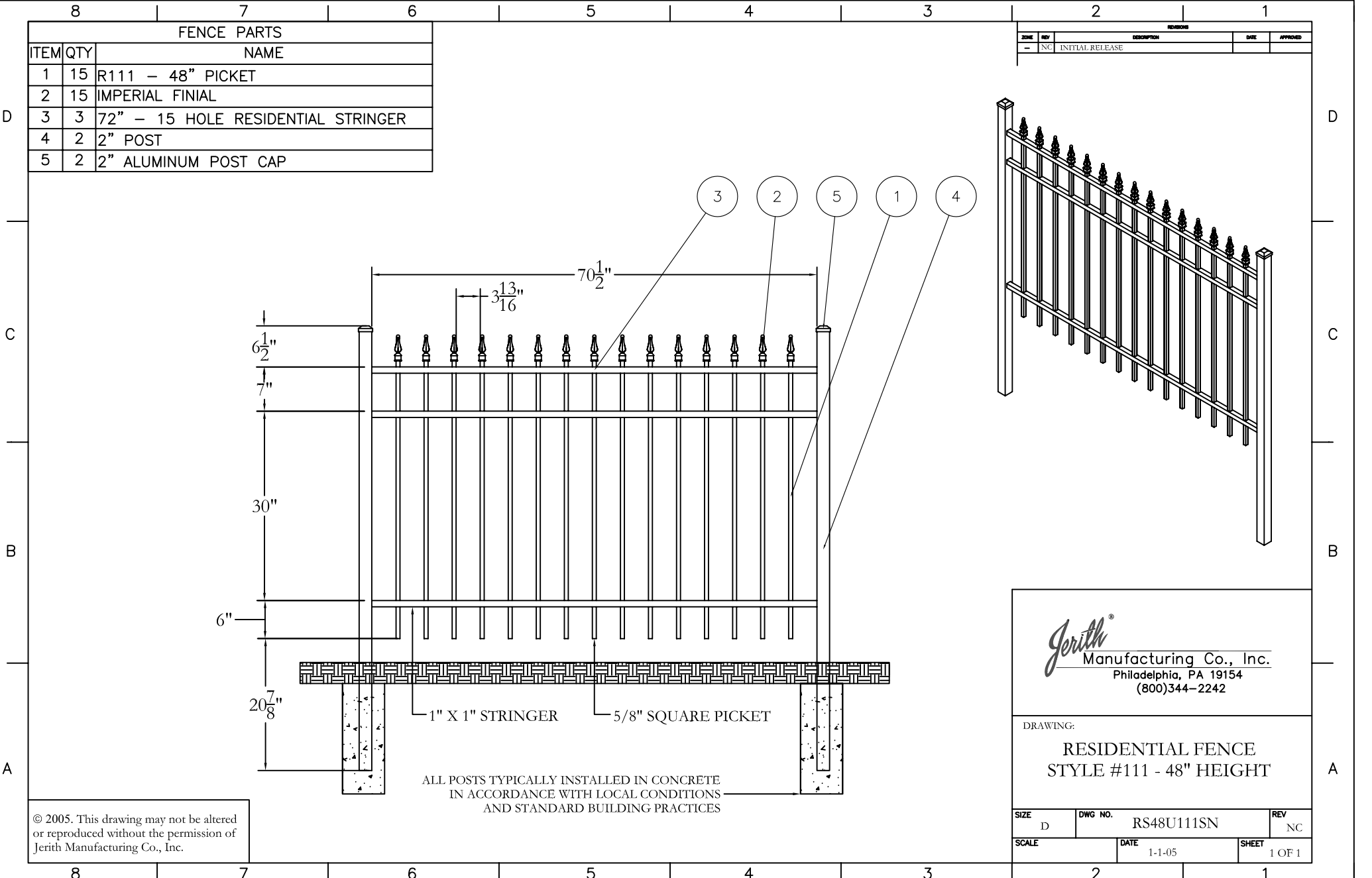
DRAWING:  
**RESIDENTIAL FENCE  
STYLE #111 - 36" HEIGHT**

© 2005. This drawing may not be altered  
or reproduced without the permission of  
Jerith Manufacturing Co., Inc.

SIZE D	DWG NO. RS36U111SN	REV NC
SCALE	DATE 1-1-05	SHEET 1 OF 1

FENCE PARTS		
ITEM	QTY	NAME
1	15	R111 - 48" PICKET
2	15	IMPERIAL FINIAL
3	3	72" - 15 HOLE RESIDENTIAL STRINGER
4	2	2" POST
5	2	2" ALUMINUM POST CAP

ZONE	REV	DESCRIPTION	DATE	APPROVED
-	NC	INITIAL RELEASE		



*Jerith*<sup>®</sup>  
 Manufacturing Co., Inc.  
 Philadelphia, PA 19154  
 (800)344-2242

DRAWING:  
**RESIDENTIAL FENCE  
 STYLE #111 - 48" HEIGHT**

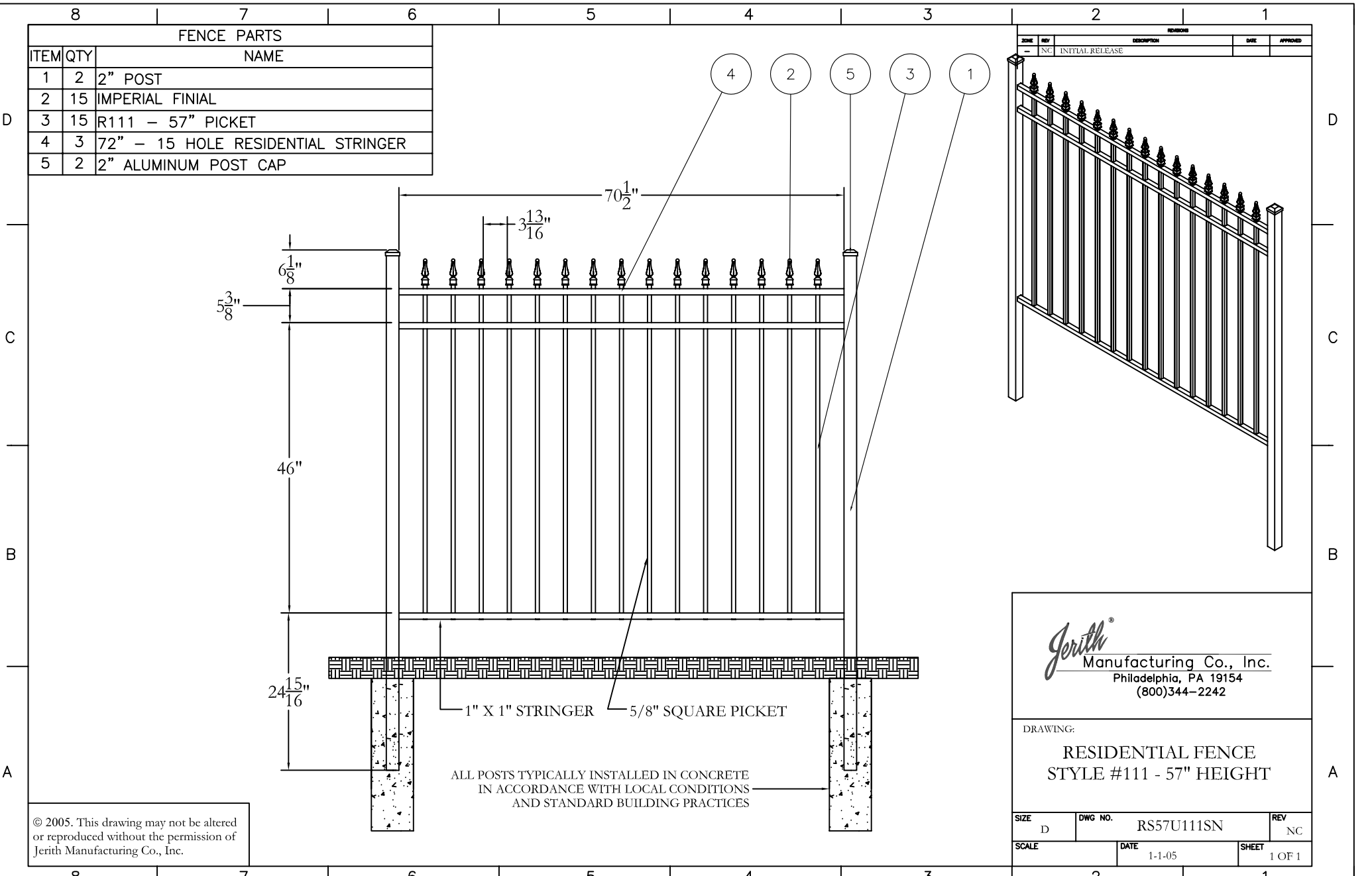
© 2005. This drawing may not be altered or reproduced without the permission of Jerith Manufacturing Co., Inc.

ALL POSTS TYPICALLY INSTALLED IN CONCRETE IN ACCORDANCE WITH LOCAL CONDITIONS AND STANDARD BUILDING PRACTICES

SIZE D	DWG NO. RS48U111SN	REV NC
SCALE	DATE 1-1-05	SHEET 1 OF 1

FENCE PARTS		
ITEM	QTY	NAME
1	2	2" POST
2	15	IMPERIAL FINIAL
3	15	R111 - 57" PICKET
4	3	72" - 15 HOLE RESIDENTIAL STRINGER
5	2	2" ALUMINUM POST CAP

REVISIONS				
ZONE	REV	DESCRIPTION	DATE	APPROVED
-	NC	INITIAL RELEASE		



*Jerith*<sup>®</sup>  
 Manufacturing Co., Inc.  
 Philadelphia, PA 19154  
 (800)344-2242

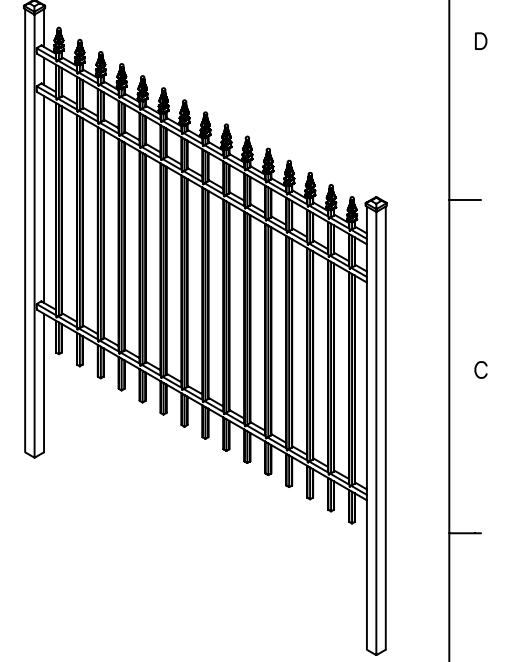
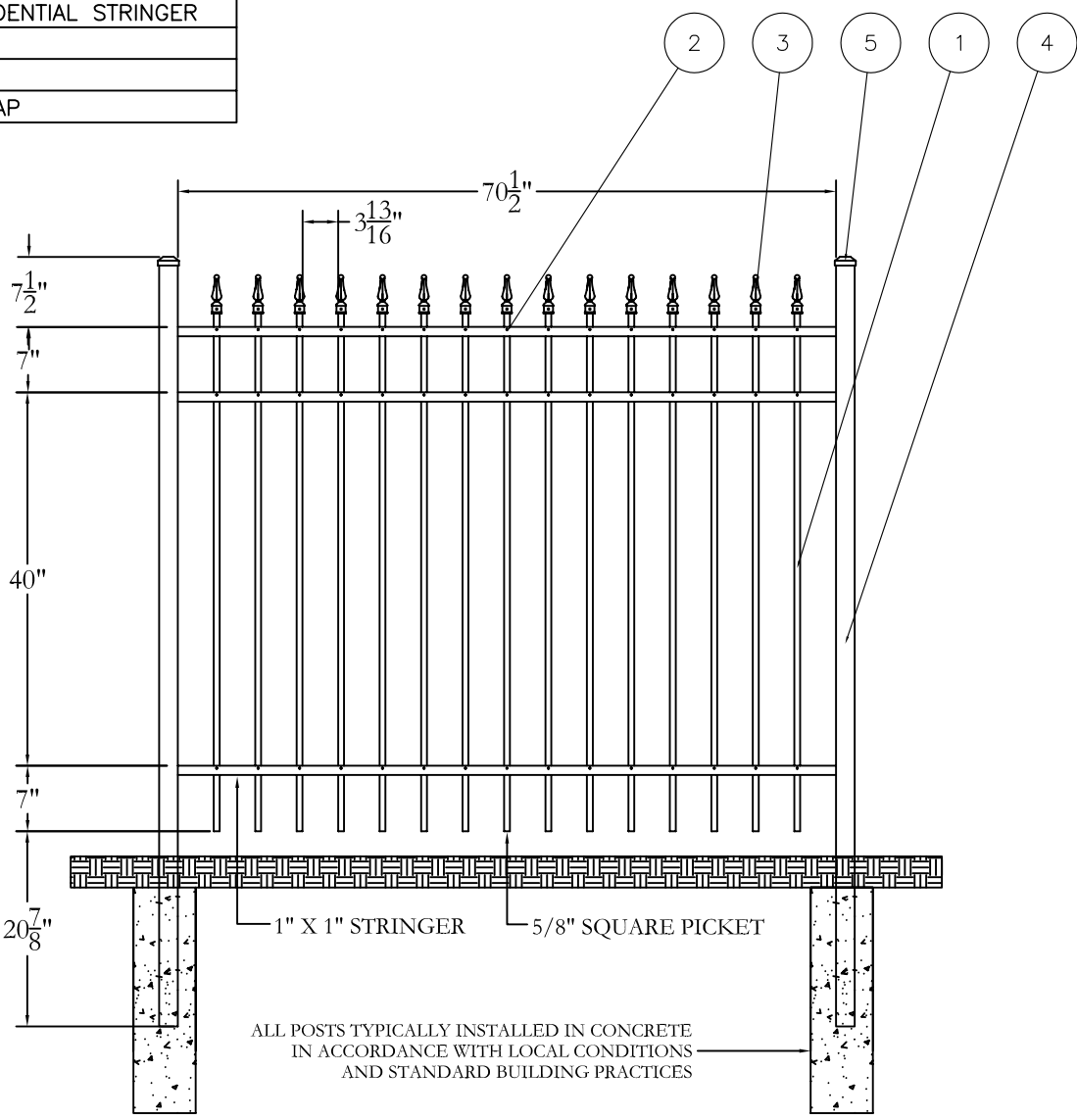
DRAWING:  
**RESIDENTIAL FENCE**  
**STYLE #111 - 57" HEIGHT**

© 2005. This drawing may not be altered or reproduced without the permission of Jerith Manufacturing Co., Inc.

SIZE D	DWG NO. RS57U111SN	REV NC
SCALE	DATE 1-1-05	SHEET 1 OF 1

FENCE PARTS		
ITEM	QTY	NAME
1	15	R111 - 60" PICKET
2	3	72" - 15 HOLE RESIDENTIAL STRINGER
3	15	IMPERIAL FINIAL
4	2	2" POST
5	2	2" ALUMINUM POST CAP

ZONE	REV	DESCRIPTION	DATE	APPROVED
-	NC	INITIAL RELEASE		



*Jerith*  
 Manufacturing Co., Inc.  
 Philadelphia, PA 19154  
 (800)344-2242

DRAWING:  
**RESIDENTIAL FENCE  
 STYLE #111 - 60" HEIGHT**

SIZE D	DWG NO. RS60U111SN	REV NC
SCALE	DATE 1-1-05	SHEET 1 OF 1

© 2005. This drawing may not be altered or reproduced without the permission of Jerith Manufacturing Co., Inc.

8 7 6 5 4 3 2 1

D

C

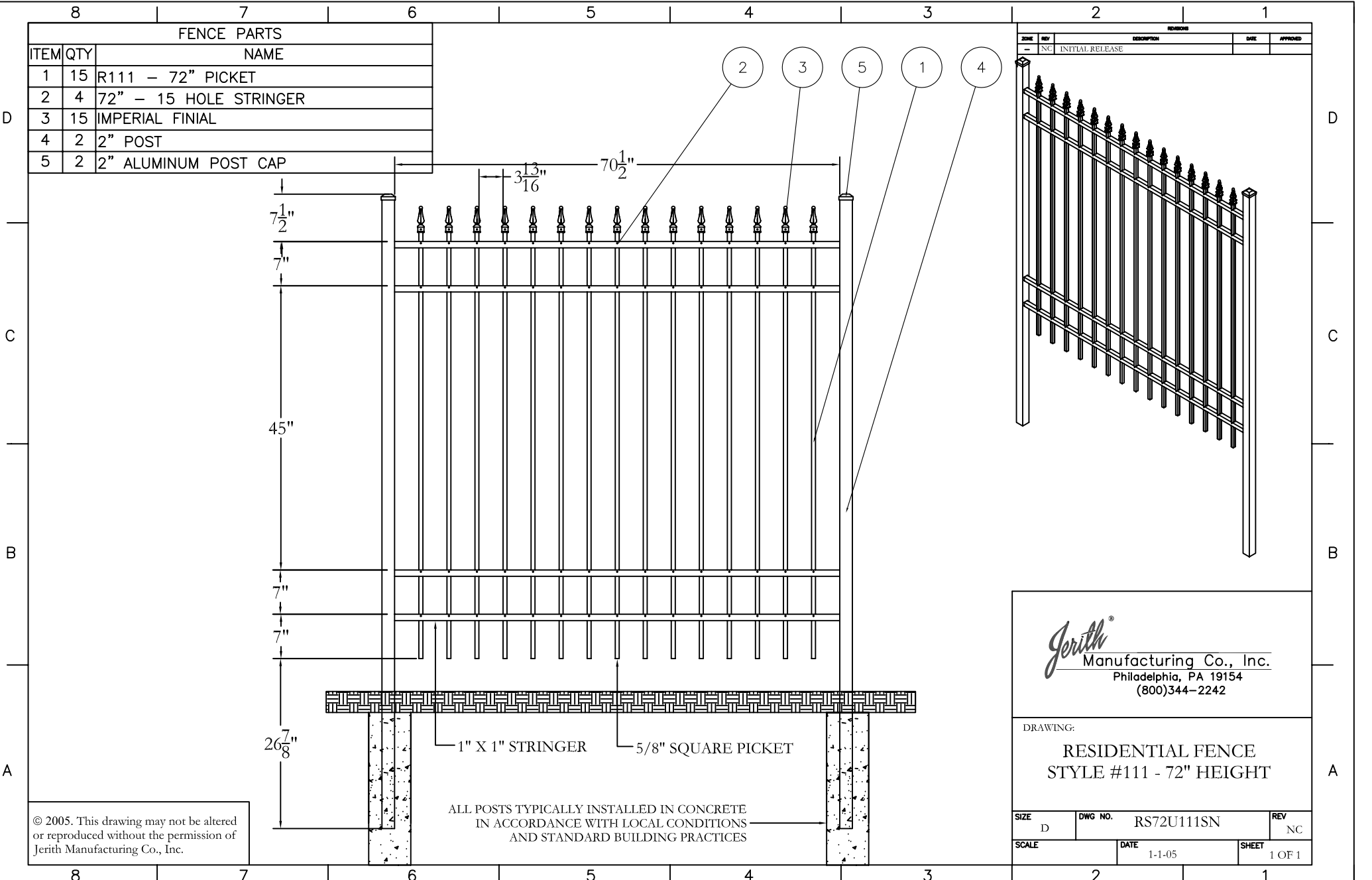
B

A

8 7 6 5 4 3 2 1

FENCE PARTS		
ITEM	QTY	NAME
1	15	R111 - 72" PICKET
2	4	72" - 15 HOLE STRINGER
3	15	IMPERIAL FINIAL
4	2	2" POST
5	2	2" ALUMINUM POST CAP

ZONE	REV	DESCRIPTION	DATE	APPROVED
-	NC	INITIAL RELEASE		



*Jerith*<sup>®</sup>  
 Manufacturing Co., Inc.  
 Philadelphia, PA 19154  
 (800)344-2242

DRAWING:  
**RESIDENTIAL FENCE  
 STYLE #111 - 72" HEIGHT**

© 2005. This drawing may not be altered or reproduced without the permission of Jerith Manufacturing Co., Inc.

ALL POSTS TYPICALLY INSTALLED IN CONCRETE IN ACCORDANCE WITH LOCAL CONDITIONS AND STANDARD BUILDING PRACTICES

SIZE D	DWG NO. RS72U111SN	REV NC
SCALE	DATE 1-1-05	SHEET 1 OF 1