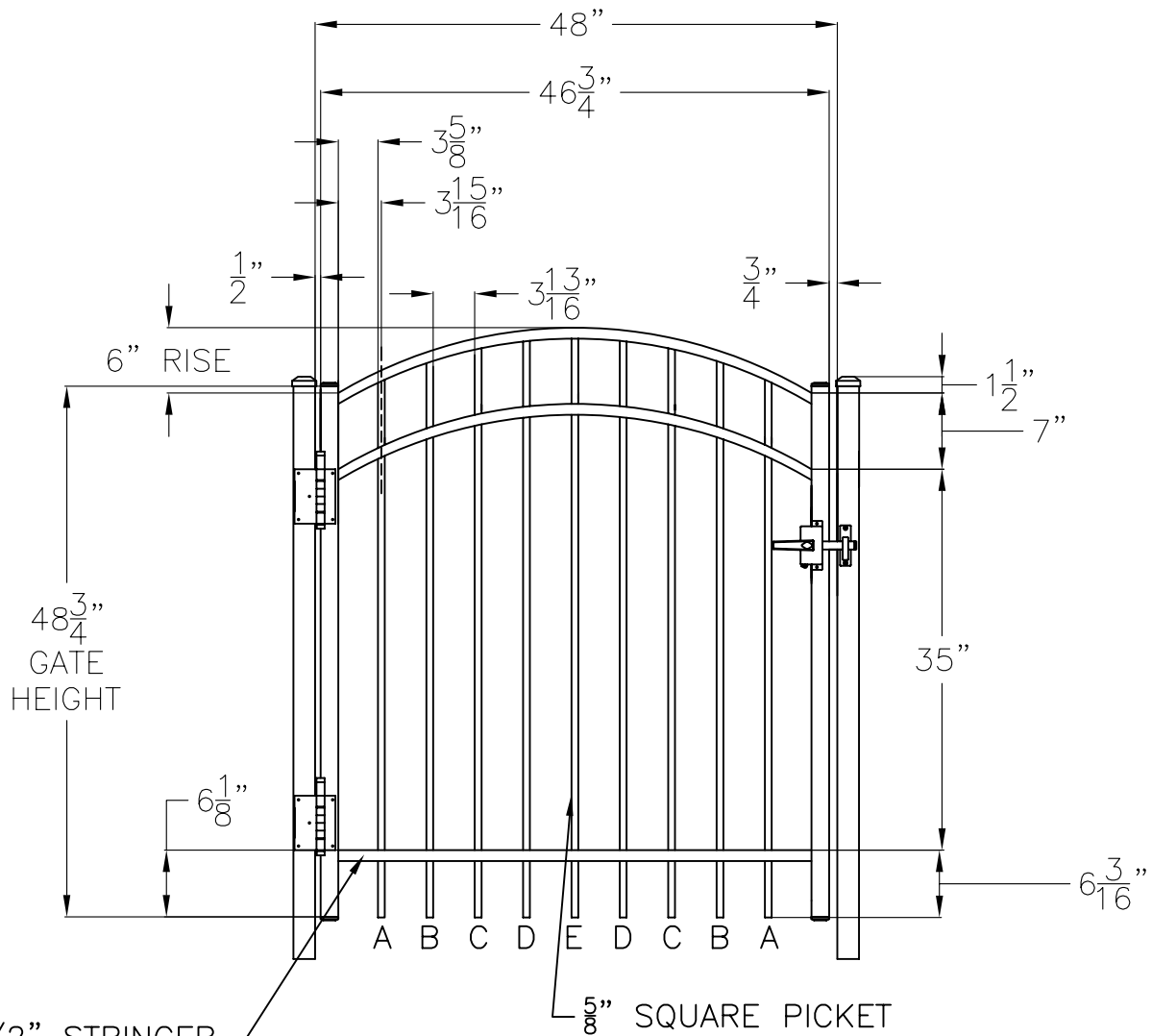


PICKET INFORMATION		
PICKET ID	PICKET LENGHTS	QTY.
A	49-11/16"	2
B	52-1/8"	2
C	53-1/2"	2
D	54"	1

*Jerith*<sup>®</sup>  
 Manufacturing Co., Inc.  
 Philadelphia, PA 19154  
 (800)344-2242

Drawing  
**LIBERTY ACCENT GATE**  
**STYLE #22**  
**48" HIGH X 36" WIDE**

Date August 2014- DSD Drawing No.  
 Copyright 2014  
 This drawing  
 may not be altered  
 without permission of  
 Jerith Manufacturing Co., Inc. **LI48U2236AG**

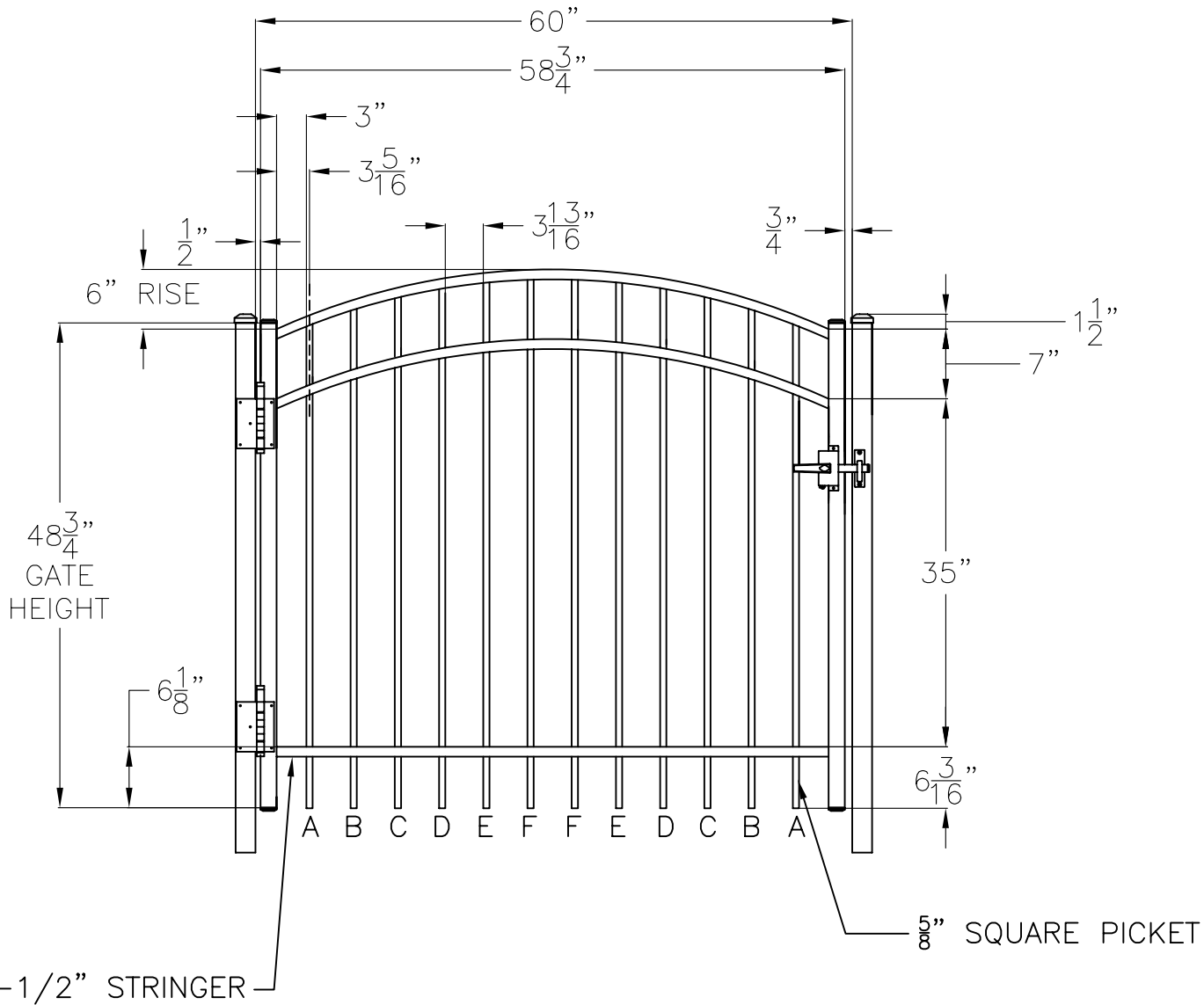


PICKET INFORMATION		
PICKET ID	PICKET LENGHTS	QTY.
A	49-15/16"	2
B	51-3/4"	2
C	53"	2
D	53-3/4"	2
E	54"	1

*Jerith*<sup>®</sup>  
 Manufacturing Co., Inc.  
 Philadelphia, PA 19154  
 (800)344-2242

Drawing  
**LIBERTY ACCENT GATE**  
**STYLE #22**  
**48" HIGH X 48" WIDE**

Date **September 2014** Drawing No.  
 Copyright 2004  
 This drawing  
 may not be altered  
 without permission of  
 Jerith Manufacturing Co., Inc. **LI48U2248AG**



PICKET INFORMATION		
PICKET ID	PICKET LENGHTS	QTY.
A	49-1/4"	2
B	50-7/8"	2
C	52-1/8"	2
D	53"	2
E	53-5/8"	2
F	53-15/16"	2

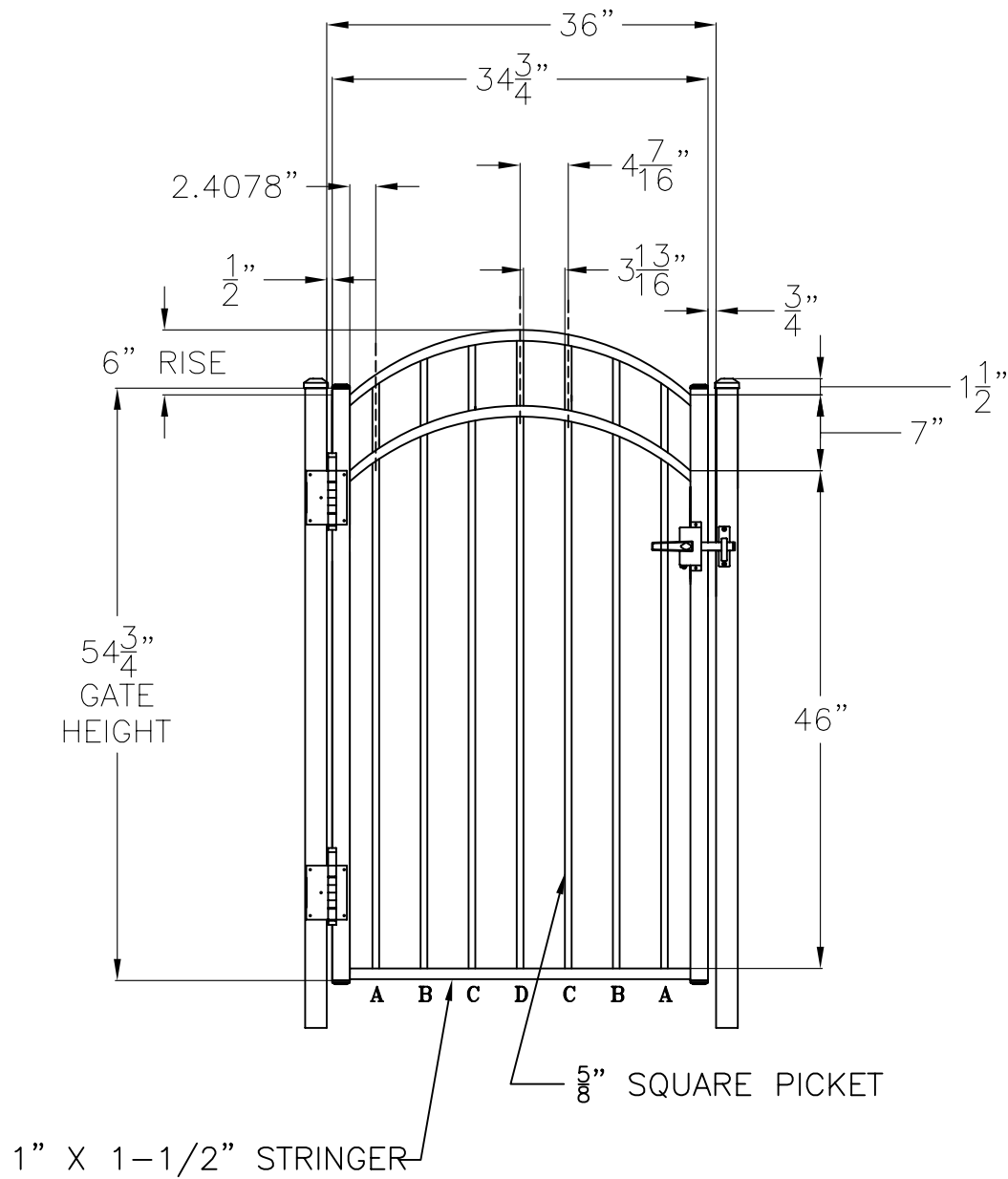
1" X 1-1/2" STRINGER

5" SQUARE PICKET

*Jerith*<sup>®</sup>  
 Manufacturing Co., Inc.  
 Philadelphia, PA 19154  
 (800)344-2242

Drawing  
**LIBERTY ACCENT GATE**  
**STYLE #22**  
**48" HIGH X 60" WIDE**

Date **September 2014** -DSD Drawing No.  
 Copyright 2014  
 This drawing  
 may not be altered  
 without permission of  
 Jerith Manufacturing Co., Inc. **LI48U2260AG**

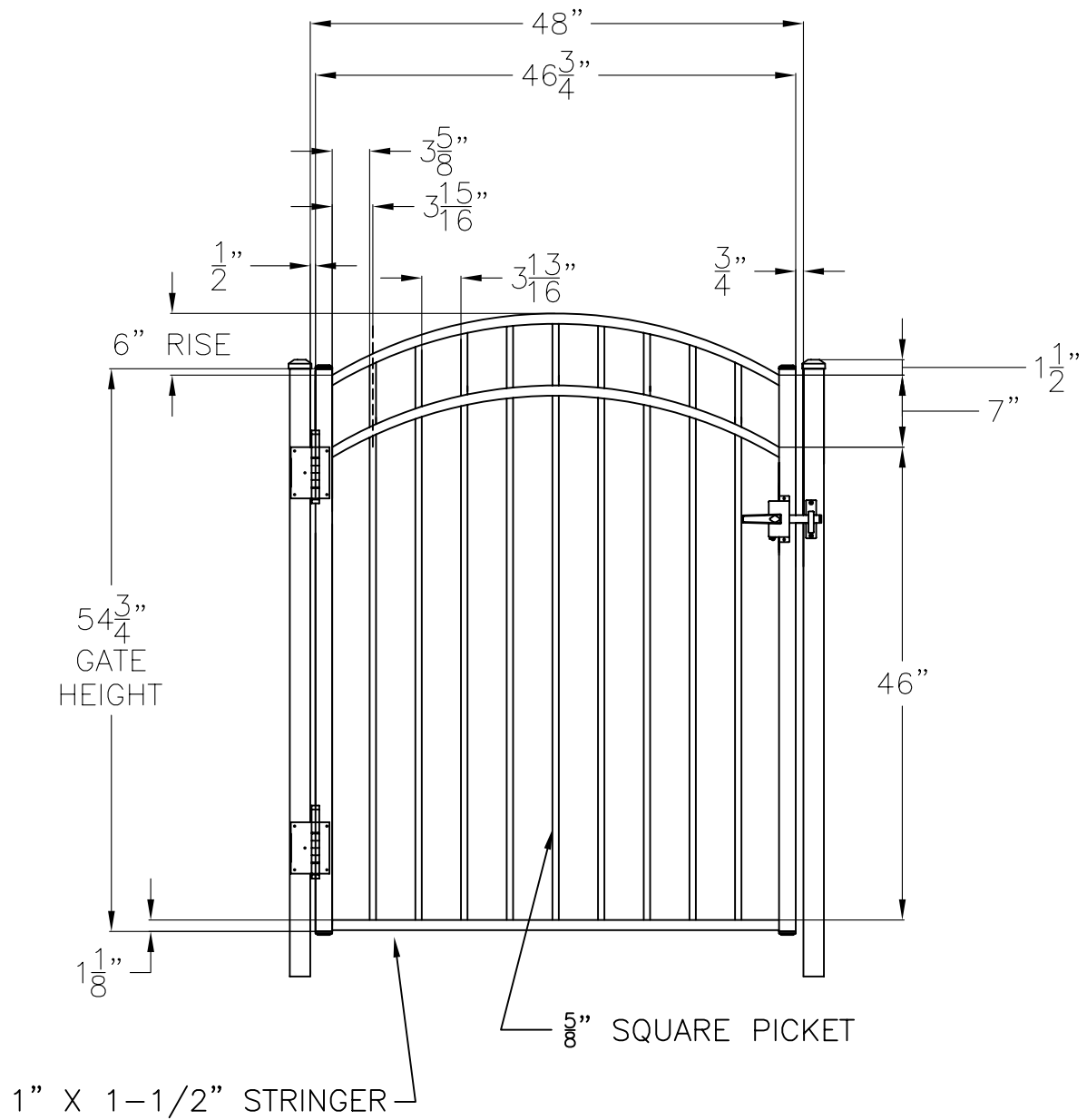


PICKET INFORMATION		
PICKET ID	PICKET LENGHTS	QTY.
A	55-1/2"	2
B	57-15/16"	2
C	59-5/16"	2
D	59-13/16"	1

*Jerith*<sup>®</sup>  
 Manufacturing Co., Inc.  
 Philadelphia, PA 19154  
 (800)344-2242

Drawing  
**LIBERTY ACCENT GATE**  
**STYLE #22**  
**54" HIGH X 36" WIDE**

Date June 2014- DSD Drawing No.  
 Copyright 2014  
 This drawing  
 may not be altered  
 without permission of  
 Jerith Manufacturing Co., Inc. **LI54U2236AG**



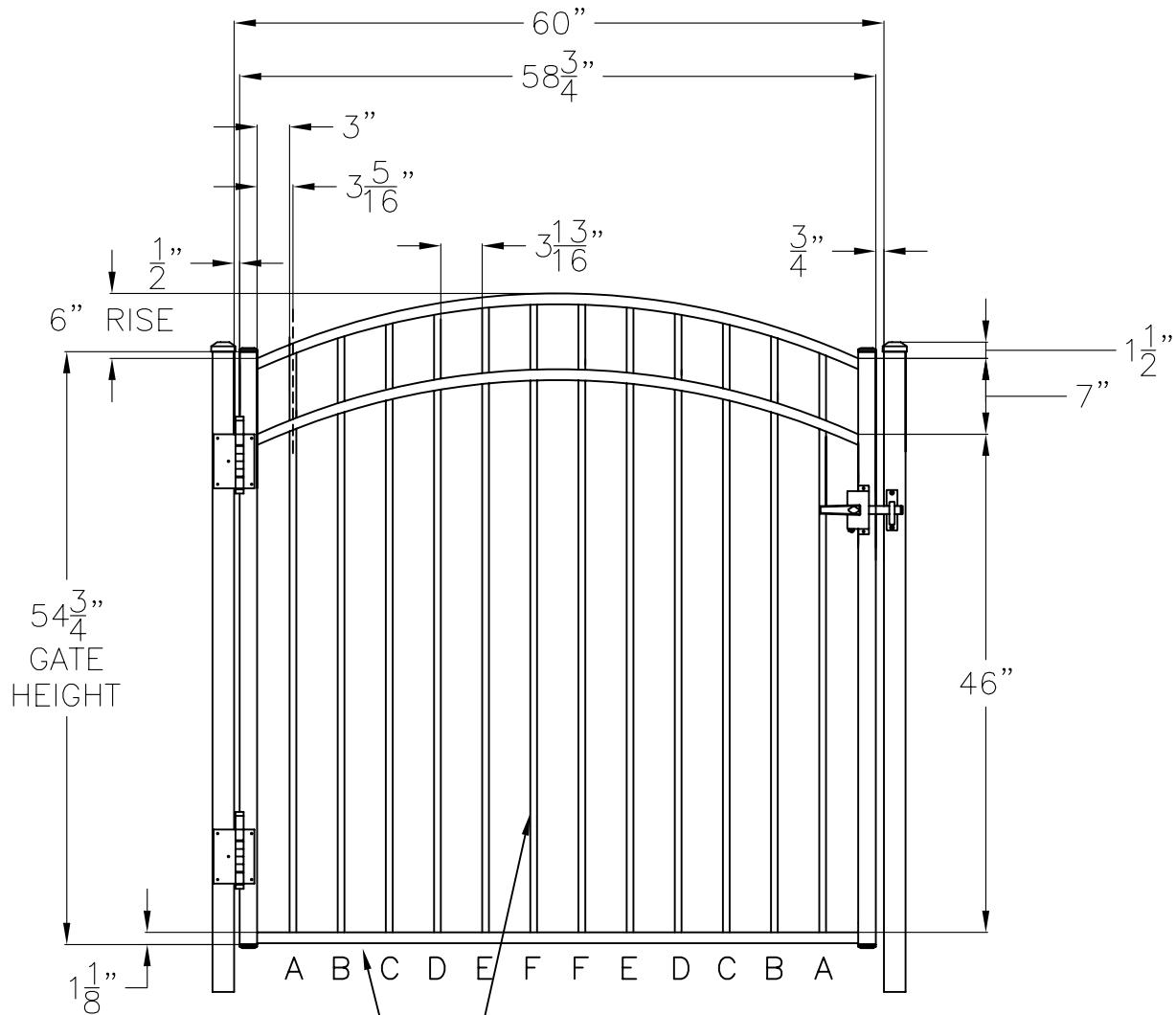
PICKET INFORMATION

PICKET ID	PICKET LENGHTS	QTY.
A	55-3/4"	2
B	57-9/16"	2
C	58-13/16"	2
D	59-9/16"	2
E	59-13/16"	1

*Jerith*<sup>®</sup>  
 Manufacturing Co., Inc.  
 Philadelphia, PA 19154  
 (800)344-2242

Drawing  
**LIBERTY ACCENT GATE**  
**STYLE #22**  
**54" HIGH X 48" WIDE**

Date **September 2004** Drawing No.  
 Copyright 2004  
 This drawing  
 may not be altered  
 without permission of  
 Jerith Manufacturing Co., Inc. **LI54U2248AG**



PICKET INFORMATION		
PICKET ID	PICKET LENGHTS	QTY.
A	55-1/16"	2
B	56-11/16"	2
C	57-15/16"	2
D	58-13/16"	2
E	59-7/16"	2
F	59-3/4"	2

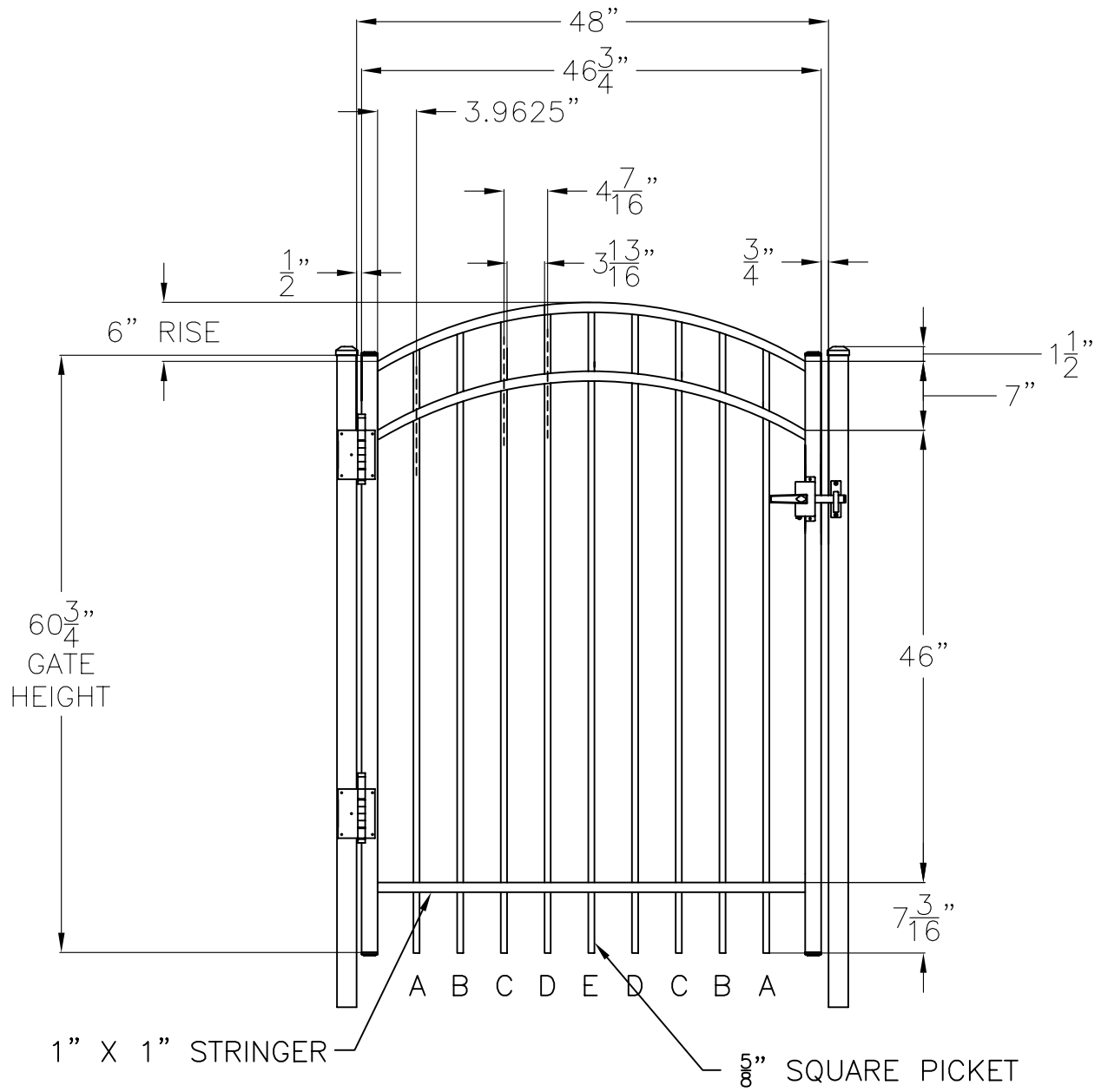
1" X 1-1/2" STRINGER

5/8" SQUARE PICKET

*Jerith*<sup>®</sup>  
 Manufacturing Co., Inc.  
 Philadelphia, PA 19154  
 (800)344-2242

Drawing  
**LIBERTY ACCENT GATE**  
**STYLE #22**  
**54" HIGH X 60" WIDE**

Date **September 2014** -DSD Drawing No.  
 Copyright 2014  
 This drawing  
 may not be altered  
 without permission of  
 Jerith Manufacturing Co., Inc. **LI54U2260AG**

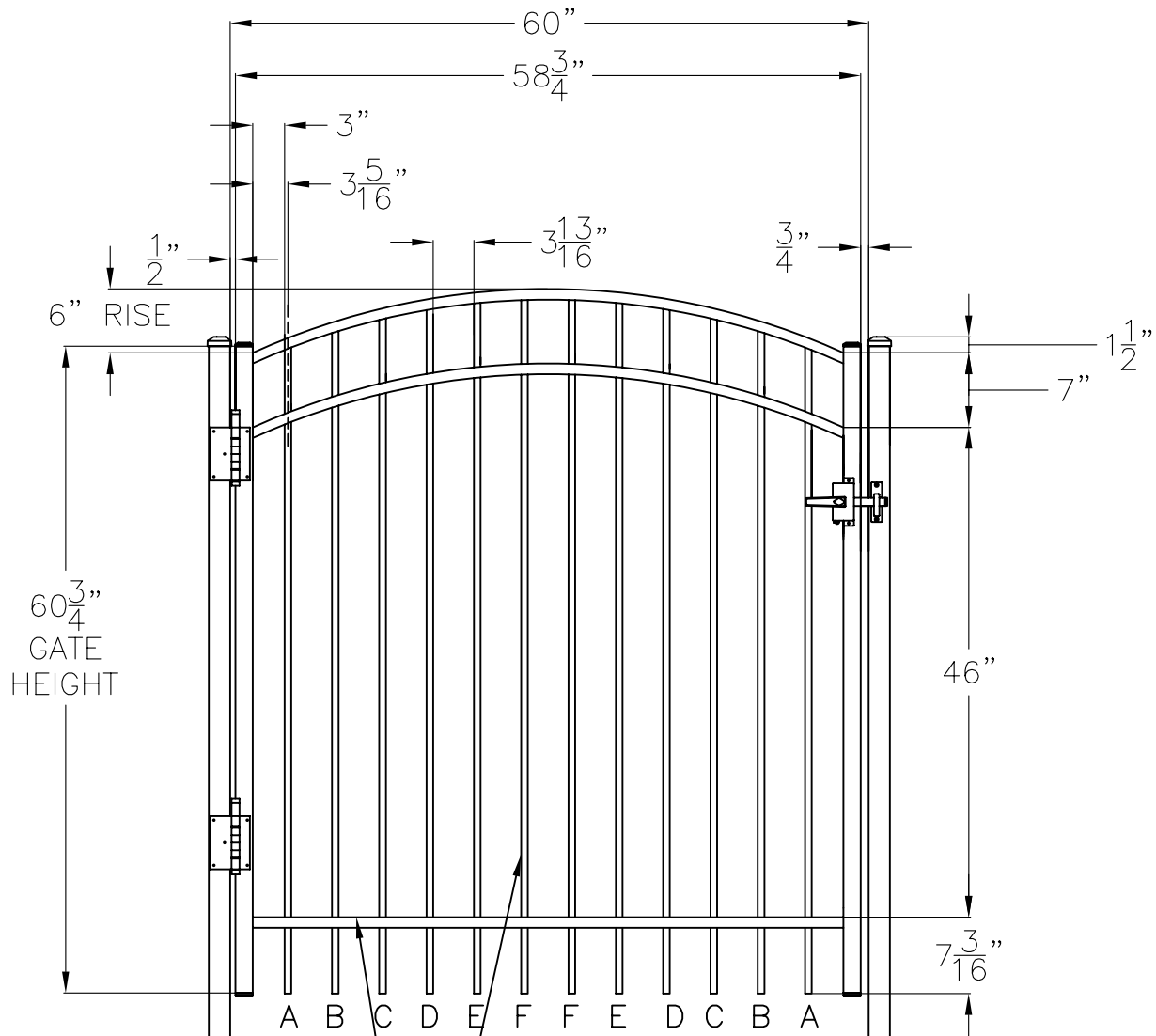


PICKET INFORMATION		
PICKET ID	PICKET LENGHTS	QTY.
A	61-15/16"	2
B	63-3/4"	2
C	65"	2
D	65-3/4"	2
E	66"	1

*Jerith*<sup>®</sup>  
 Manufacturing Co., Inc.  
 Philadelphia, PA 19154  
 (800)344-2242

Drawing  
**LIBERTY ACCENT GATE**  
**STYLE #22**  
**60" HIGH X 48" WIDE**

Date **March 2015** Drawing No.  
 Copyright 2015  
 This drawing  
 may not be altered  
 without permission of  
 Jerith Manufacturing Co., Inc. **LI60U2248AG**



SQUARE PICKET INFORMATION		
PICKET ID	PICKET LENGHTS	QTY.
A	61-1/4"	2
B	62-7/8"	2
C	64-1/8"	2
D	65"	2
E	65-5/8"	2
F	65-15/16"	2

1" X 1-1/2" STRINGER

5/8" SQUARE PICKET

*Jerith*<sup>®</sup>  
 Manufacturing Co., Inc.  
 Philadelphia, PA 19154  
 (800)344-2242

Drawing  
**LIBERTY ACCENT GATE**  
**STYLE #22**  
**60" HIGH X 60" WIDE**

Date May 2014 -DSD Drawing No.  
 Copyright 2014  
 This drawing  
 may not be altered  
 without permission of  
 Jerith Manufacturing Co., Inc. **LI60U2260AG**