

POINTED PICKET INFORMATION			SQUARE PICKET INFORMATION		
PICKET ID	PICKET LENGHTS	QTY.	PICKET ID	PICKET LENGHTS	QTY.
A	47-1/8"	2	B	51-3/4"	2
C	50-1/8"	2	D	53-3/4"	2
E	51-1/16"	1			

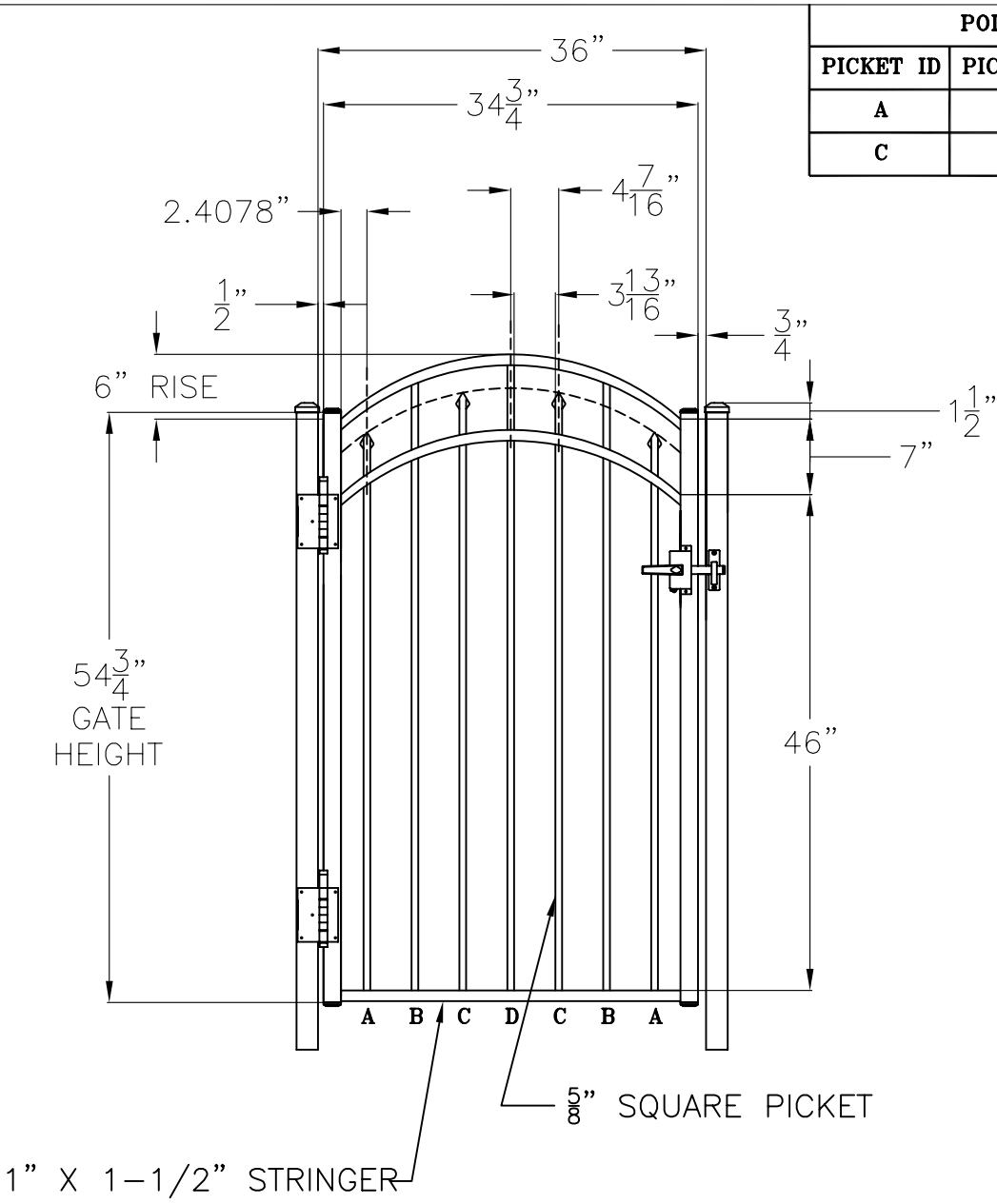
1" X 1" STRINGER

5" SQUARE PICKET

Jerith[®]
 Manufacturing Co., Inc.
 Philadelphia, PA 19154
 (800)344-2242

Drawing
LIBERTY ACCENT GATE
STYLE: #20
48" HIGH X 48" WIDE

Date **October 2014** Drawing No.
 Copyright 2014
 This drawing
 may not be altered
 without permission of
 Jerith Manufacturing Co., Inc. **LI48U2048AG**

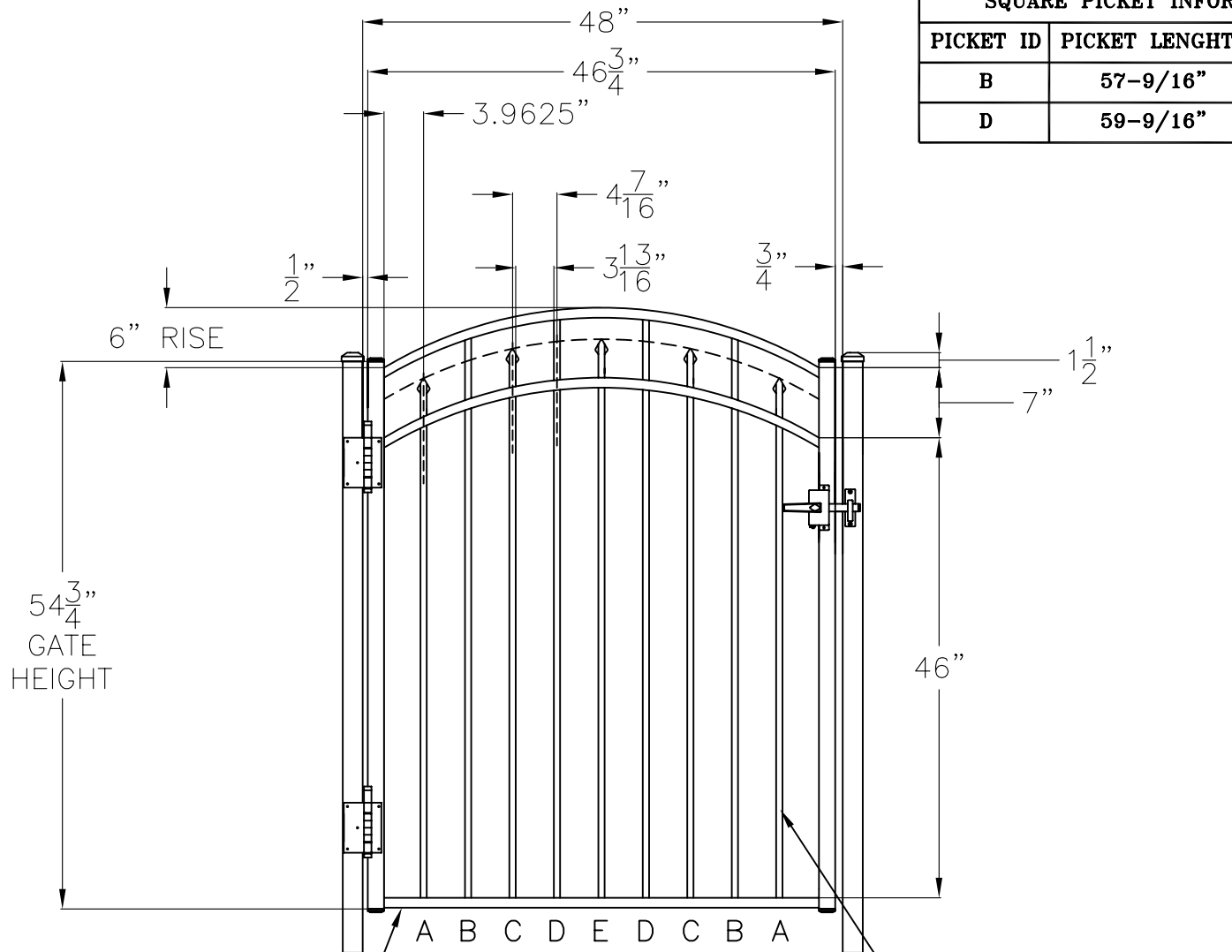


POINTED PICKET			SQUARE PICKET		
PICKET ID	PICKET LENGHTS	QTY.	PICKET ID	PICKET LENGHTS	QTY.
A	52-3/4"	2	B	57-15/16"	2
C	56-7/16"	2	D	59-13/16"	1

Jerith[®]
 Manufacturing Co., Inc.
 Philadelphia, PA 19154
 (800)344-2242

Drawing
LIBERTY ACCENT GATE
STYLE #20
54" HIGH X 36" WIDE

Date June 2014- DSD Drawing No.
 Copyright 2014
 This drawing
 may not be altered
 without permission of
 Jerith Manufacturing Co., Inc. **LI54U2036AG**



SQUARE PICKET INFORMATION			POINT PICKET INFORMATION		
PICKET ID	PICKET LENGHTS	QTY.	PICKET ID	PICKET LENGHTS	QTY.
B	57-9/16"	2	A	52-15/16"	2
D	59-9/16"	2	C	55-15/16"	2
			E	56-7/8"	1

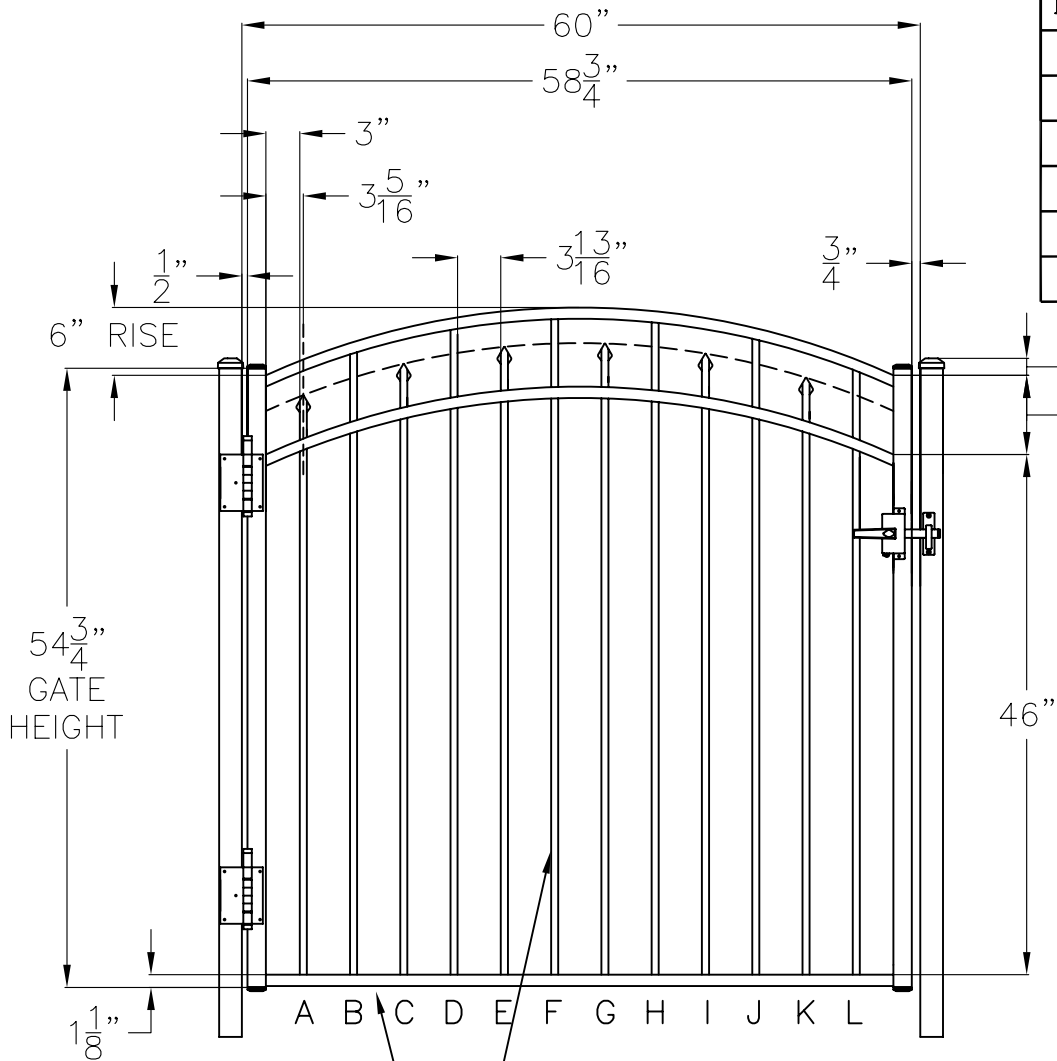
1" X 1-1/2" STRINGER

5/8" SQUARE PICKET

Jerith[®]
 Manufacturing Co., Inc.
 Philadelphia, PA 19154
 (800)344-2242

LIBERTY ACCENT GATE
STYLE #20
54" HIGH X 48" WIDE

Date **September 2004** Drawing No. **LI54U20048AG**
 Copyright 2004
 This drawing
 may not be altered
 without permission of
 Jerith Manufacturing Co., Inc.



SQUARE PICKET INFORMATION			POINT PICKET INFORMATION		
PICKET ID	PICKET LENGHTS	QTY.	PICKET ID	PICKET LENGHTS	QTY.
B	56-11/16"	1	A	52-1/4"	1
D	58-13/16"	1	C	55"	1
F	59-3/4"	1	E	56-1/2"	1
H	59-7/16"	1	G	56-13/16"	1
J	57-15/16"	1	I	55-15/16"	1
L	55-1/16"	1	K	53-13/16"	1

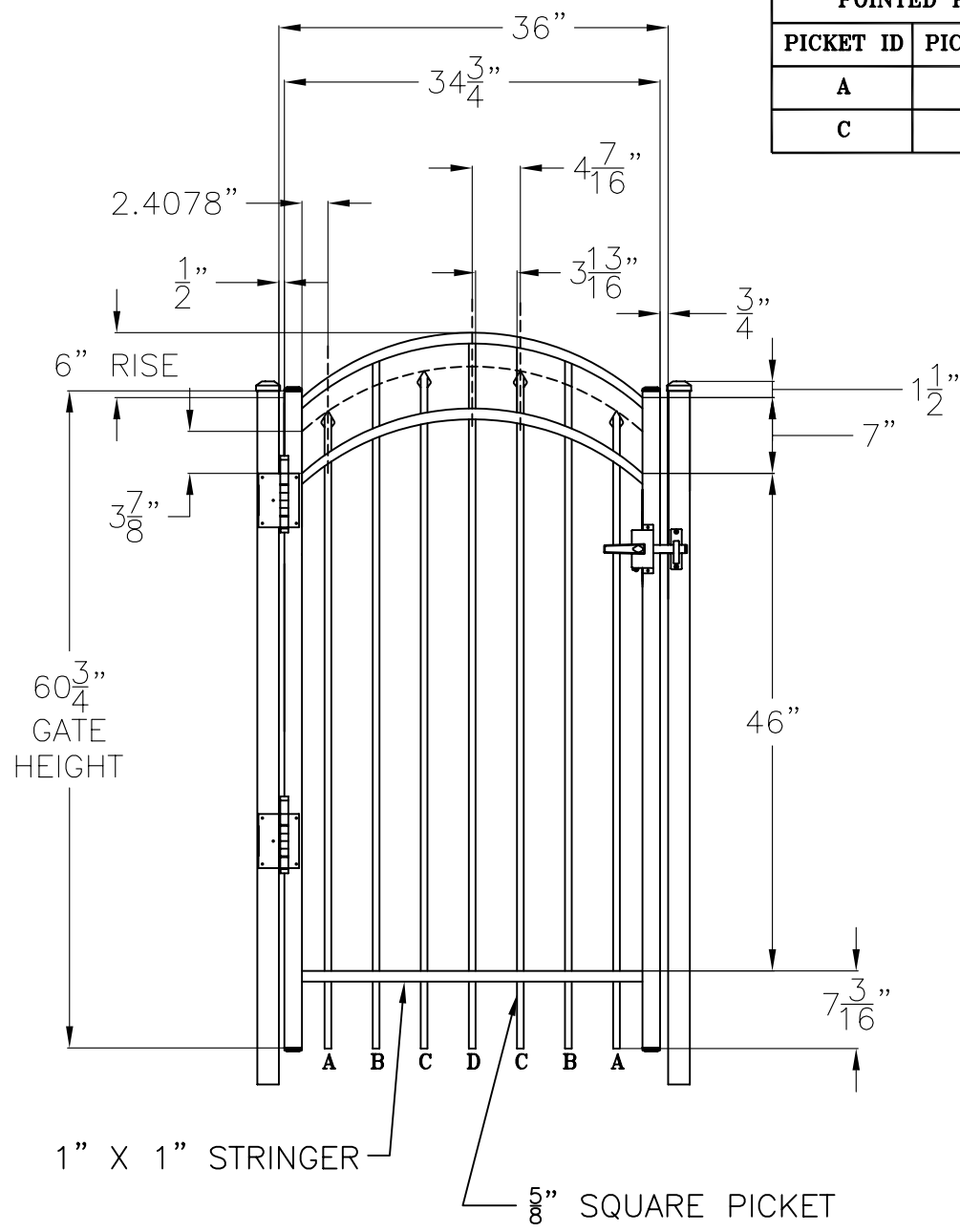
1" X 1-1/2" STRINGER

5/8" SQUARE PICKET

Jerith[®]
 Manufacturing Co., Inc.
 Philadelphia, PA 19154
 (800)344-2242

Drawing
LIBERTY ACCENT GATE
STYLE #20
54" HIGH X 60" WIDE

Date **September 2014** -DSD Drawing No.
 Copyright 2014
 This drawing
 may not be altered
 without permission of
 Jerith Manufacturing Co., Inc. **LI54U2060AG**

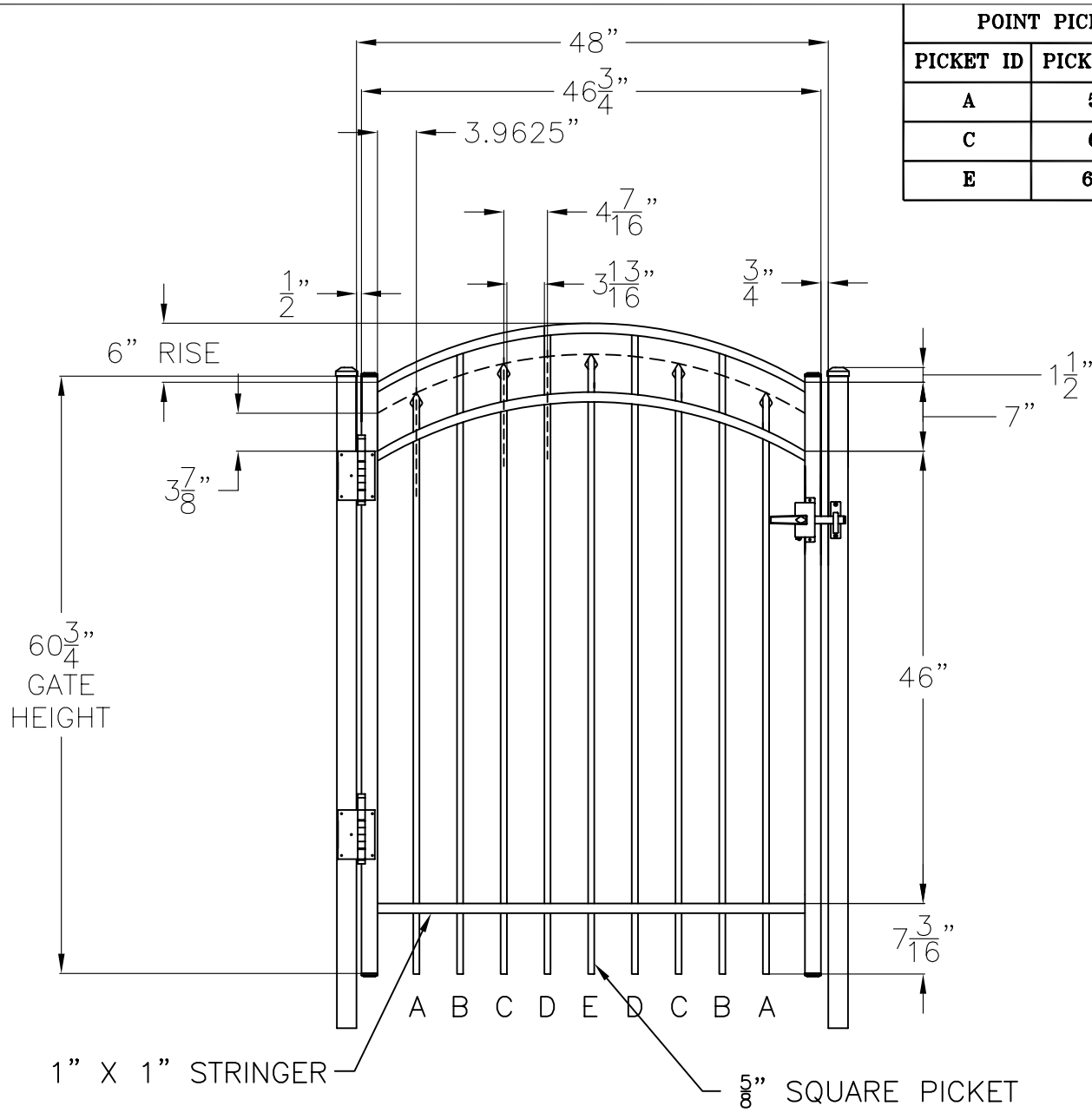


POINTED PICKET INFORMATION			SQUARE PICKET INFORMATION		
PICKET ID	PICKET LENGHTS	QTY.	PICKET ID	PICKET LENGHTS	QTY.
A	58-15/16"	2	B	64-1/8"	2
C	62-5/8"	2	D	66"	1


Jerith[®]
 Manufacturing Co., Inc.
 Philadelphia, PA 19154
 (800)344-2242

Drawing
LIBERTY ACCENT GATE
STYLE #20
60" HIGH X 36" WIDE

Date March 2015- DSD Drawing No.
 Copyright 2015
 This drawing
 may not be altered
 without permission of
 Jerith Manufacturing Co., Inc. **LI60U2036AG**

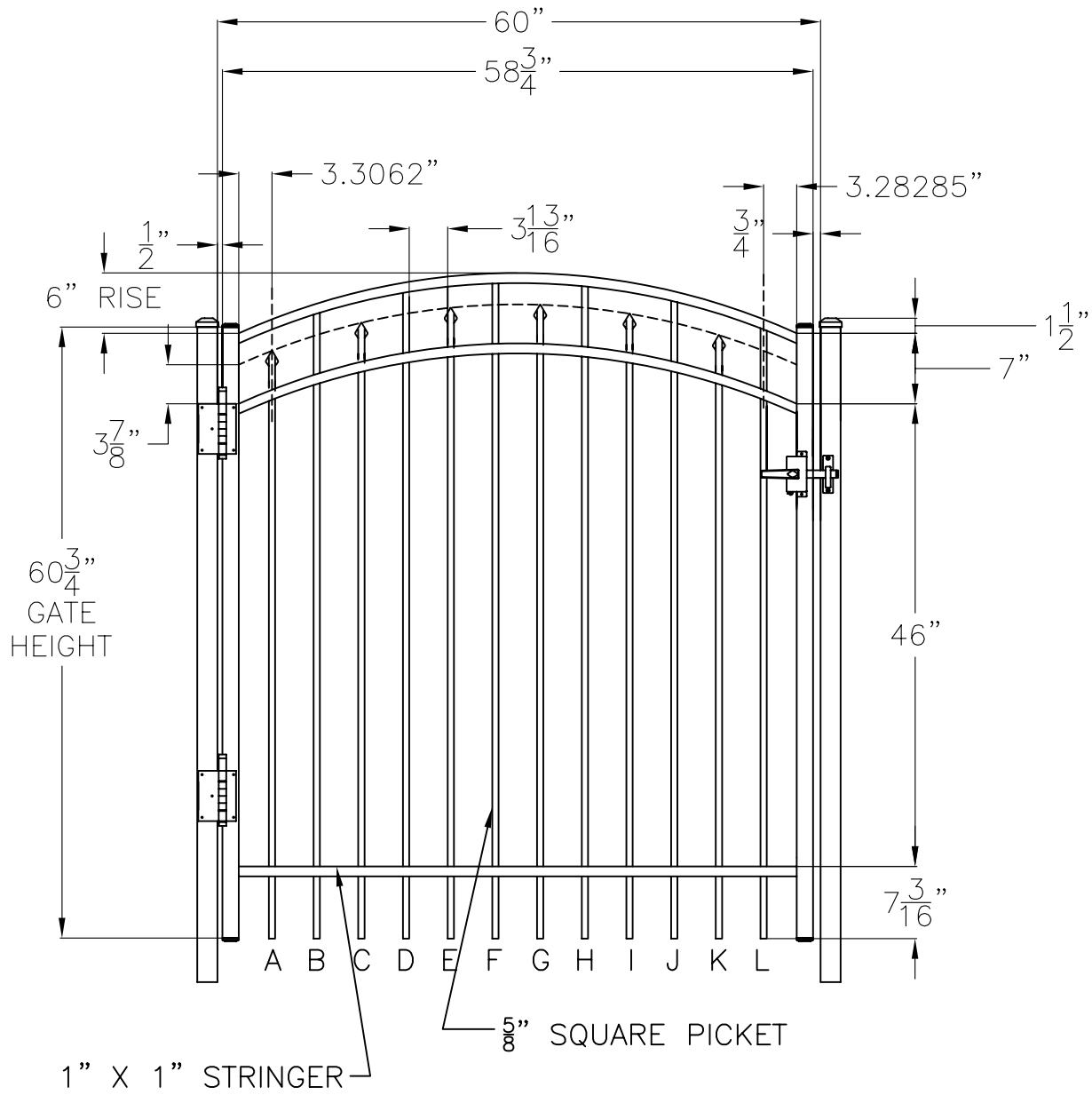


POINT PICKET INFORMATION			SQUARE PICKET INFORMATION		
PICKET ID	PICKET LENGHTS	QTY.	PICKET ID	PICKET LENGHTS	QTY.
A	59-1/8"	2	B	63-3/4"	2
C	62-1/8"	2	D	65-3/4"	2
E	63-1/16"	1			


Jerith[®] Manufacturing Co., Inc.
 Philadelphia, PA 19154
 (800)344-2242

LIBERTY ACCENT GATE
STYLE #20
60" HIGH X 48" WIDE

Date **September 2014** Drawing No. **LI60U2048AG**
Copyright 2014
 This drawing
 may not be altered
 without permission of
 Jerith Manufacturing Co., Inc.



POINT PICKET INFORMATION			SQUARE PICKET INFORMATION		
PICKET ID	PICKET LENGTHS	QTY.	PICKET ID	PICKET LENGTHS	QTY.
A	58-7/16"	1	B	62-7/8"	1
C	61-1/4"	1	D	65"	1
E	62-3/4"	1	F	65-15/16"	1
G	63"	1	H	65-5/8"	1
I	62-1/8"	1	J	64-1/8"	1
K	60"	1	L	61-1/4"	1

Jerith[®]
 Manufacturing Co., Inc.
 Philadelphia, PA 19154
 (800)344-2242

Drawing
LIBERTY ACCENT GATE
STYLE #20
60" HIGH X 60" WIDE

Date Sept. 2014 -DSD Drawing No.
 Copyright 2014
 This drawing
 may not be altered
 without permission of
 Jerith Manufacturing Co., Inc. **LI60U2060AG**