

1" X 1-1/2" STRINGER

5/8" SQUARE PICKET

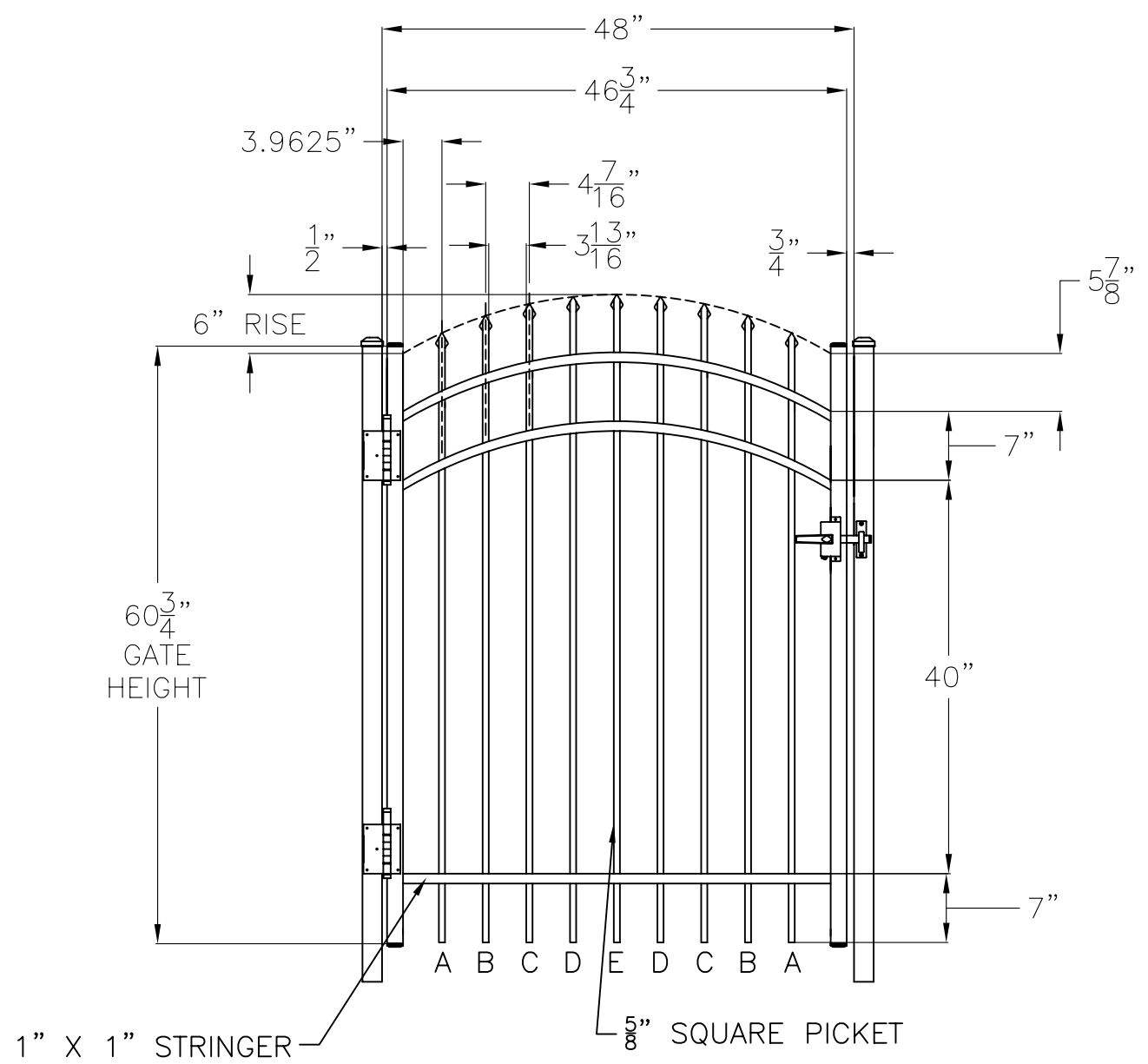
PICKET INFORMATION		
PICKET ID	PICKET LENGHTS	QTY.
A	49-15/16"	2
B	51-3/4"	2
C	52-15/16"	2
D	53-5/8"	2
E	53-7/8"	1

Jerith[®]
 Manufacturing Co., Inc.
 Philadelphia, PA 19154
 (800)344-2242

Drawing
LIBERTY ACCENT GATE
STYLE #11
48" HIGH X 48" WIDE

Date **September 2014** Drawing No.
 Copyright 2014
 This drawing
 may not be altered
 without permission of
 Jerith Manufacturing Co., Inc. **LI48U1148AG**

PICKET INFORMATION		
PICKET ID	PICKET LENGHTS	QTY.
A	61-15/16"	2
B	63-3/4"	2
C	64-15/16"	2
D	65-5/8"	2
E	65-7/8"	1



Jerith[®]
 Manufacturing Co., Inc.
 Philadelphia, PA 19154
 (800)344-2242

Drawing
LIBERTY ACCENT GATE
STYLE #11
60" HIGH X 48" WIDE

Date May 2014 -DSD Drawing No.
 Copyright 2014
 This drawing
 may not be altered
 without permission of
 Jerith Manufacturing Co., Inc. **LI60U1148AG**