

FENCE PARTS		
ITEM	QTY	NAME
1	3	72" - 15 HOLE LIBERTY STRINGER
2	2	2" LIBERTY POST
3	15	LIBERTY 101 - 48" PICKET
4	2	2" ALUMINUM POST CAP

ZONE	REV	DESCRIPTION	DATE	APPROVED
-	NC	INITIAL RELEASE		

D

C

B

A

D

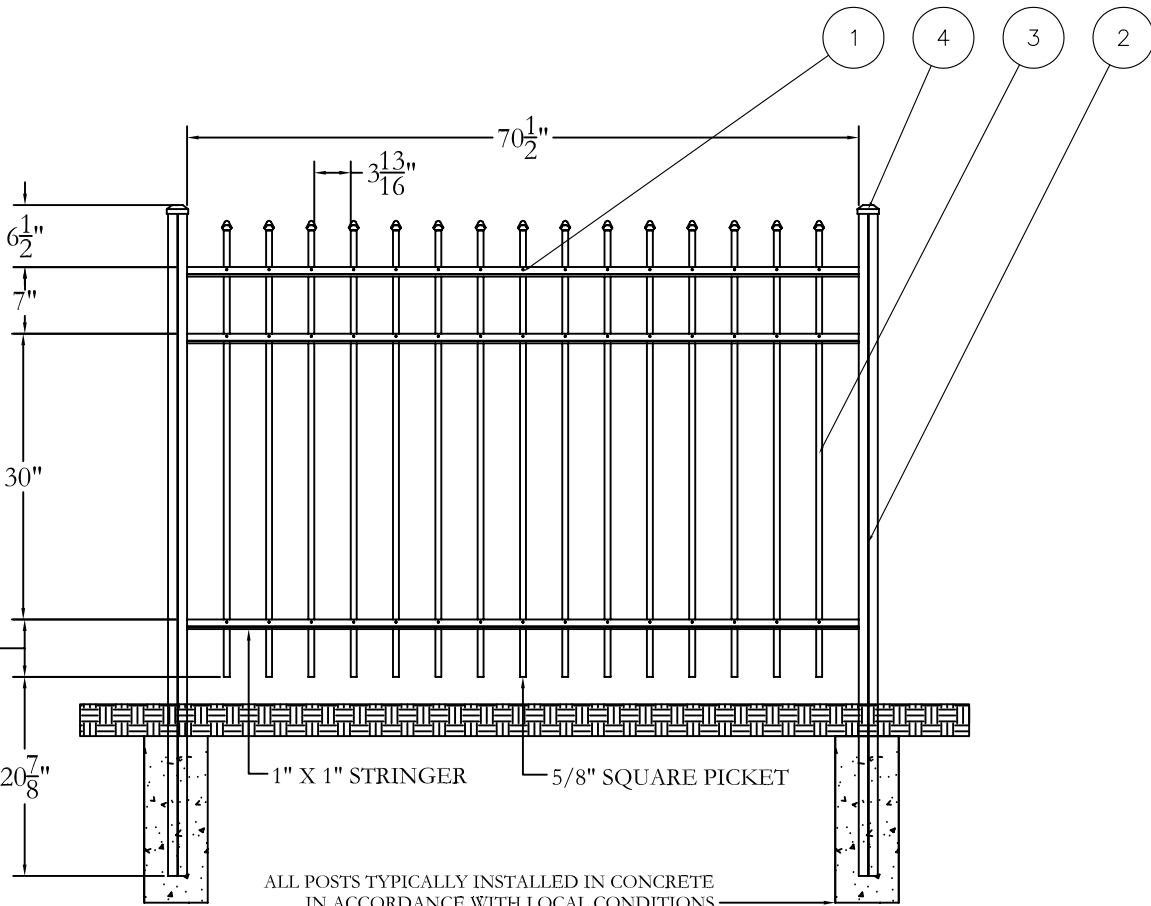
C

B

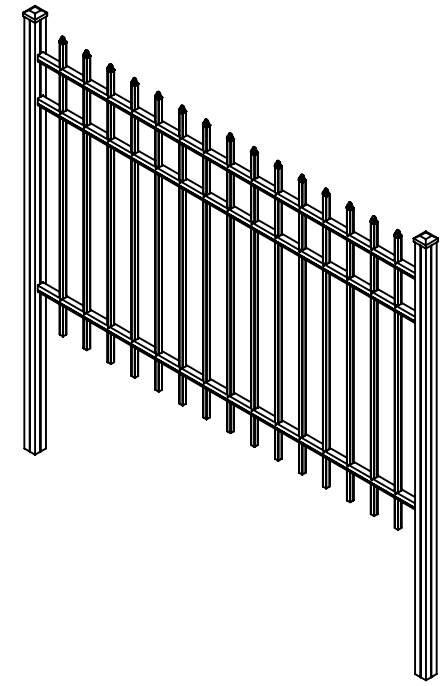
A

8 7 6 5 4 3 2 1

8 7 6 5 4 3 2 1



ALL POSTS TYPICALLY INSTALLED IN CONCRETE
IN ACCORDANCE WITH LOCAL CONDITIONS
AND STANDARD BUILDING PRACTICES



Jerith[®]
Manufacturing Co., Inc.
Philadelphia, PA 19154
(800)344-2242

DRAWING:
LIBERTY FENCE
STYLE #101 - 48" HEIGHT

© 2005. This drawing may not be altered
or reproduced without the permission of
Jerith Manufacturing Co., Inc.

SIZE D	DWG NO. LI48U11SN	REV NC
SCALE	DATE 1-8-2010	SHEET 1 OF 1

FENCE PARTS		
ITEM	QTY	NAME
1	3	72" - 15 HOLE LIBERTY STRINGER
2	2	2" LIBERTY POST
3	15	LIBERTY 101 - 60" PICKET
4	2	2" ALUMINUM POST CAP

ZONE	REV	DESCRIPTION	DATE	APPROVED
-	NC	INITIAL RELEASE	03-18-14	DSD

D

C

B

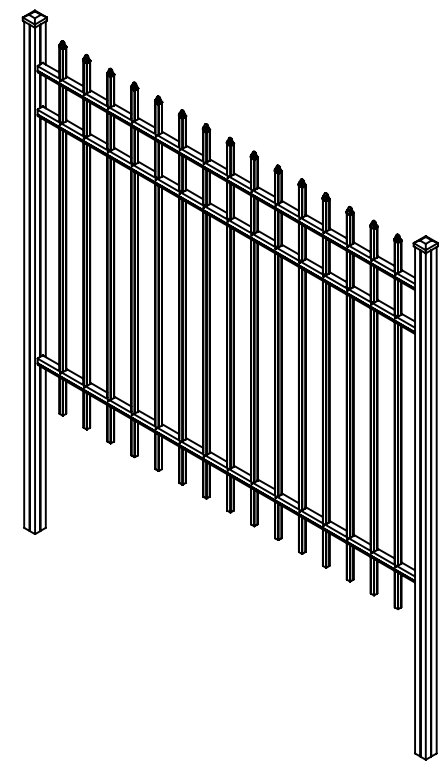
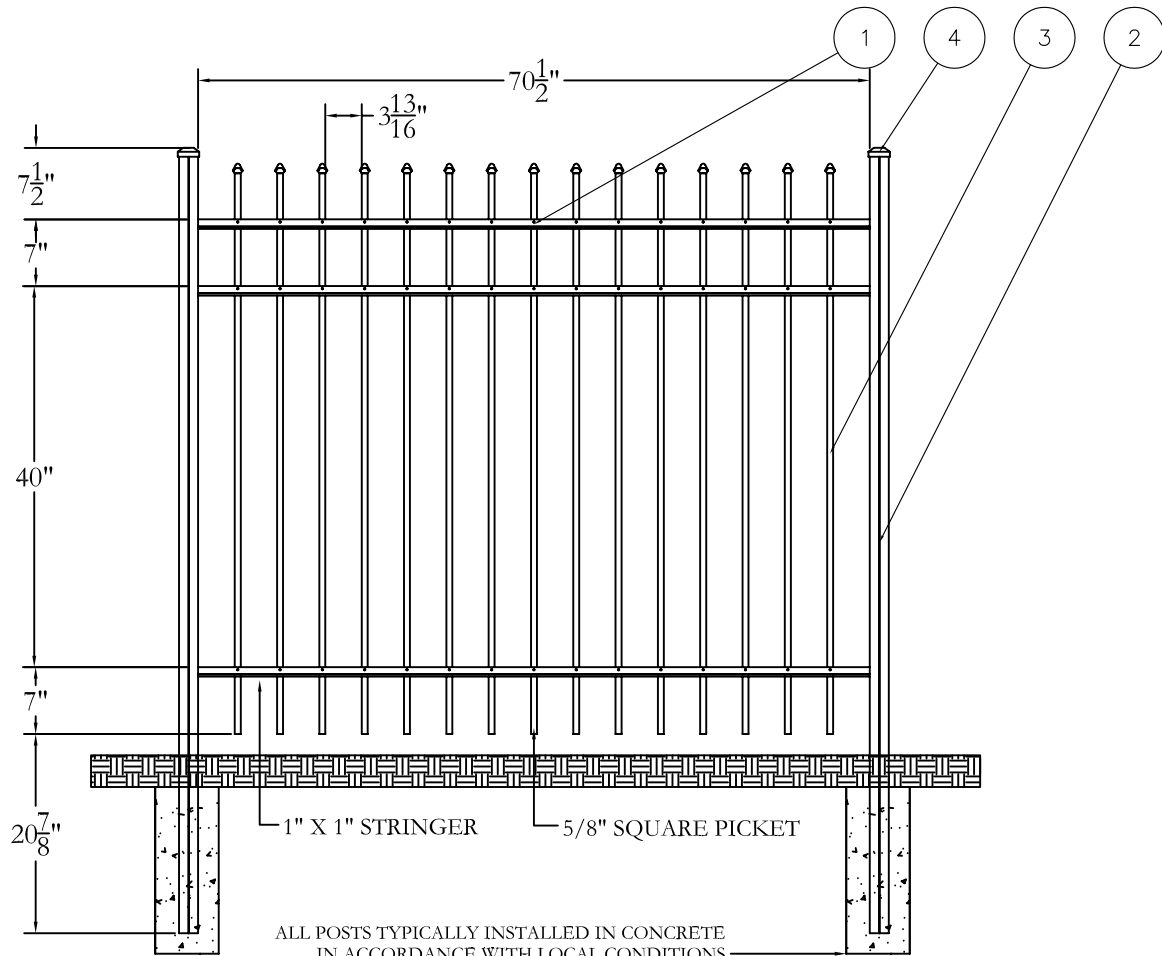
A

D

C

B

A



Jerith[®]
 Manufacturing Co., Inc.
 Philadelphia, PA 19154
 (800)344-2242

DRAWING:
 LIBERTY FENCE
 STYLE #101 - 60" HEIGHT

ALL POSTS TYPICALLY INSTALLED IN CONCRETE
 IN ACCORDANCE WITH LOCAL CONDITIONS
 AND STANDARD BUILDING PRACTICES

© 2005. This drawing may not be altered
 or reproduced without the permission of
 Jerith Manufacturing Co., Inc.

SIZE D	DWG NO. LI60U11SN	REV NC
SCALE	DATE 03-18-14	SHEET 1 OF 1

8 7 6 5 4 3 2 1

8 7 6 5 4 3 2 1