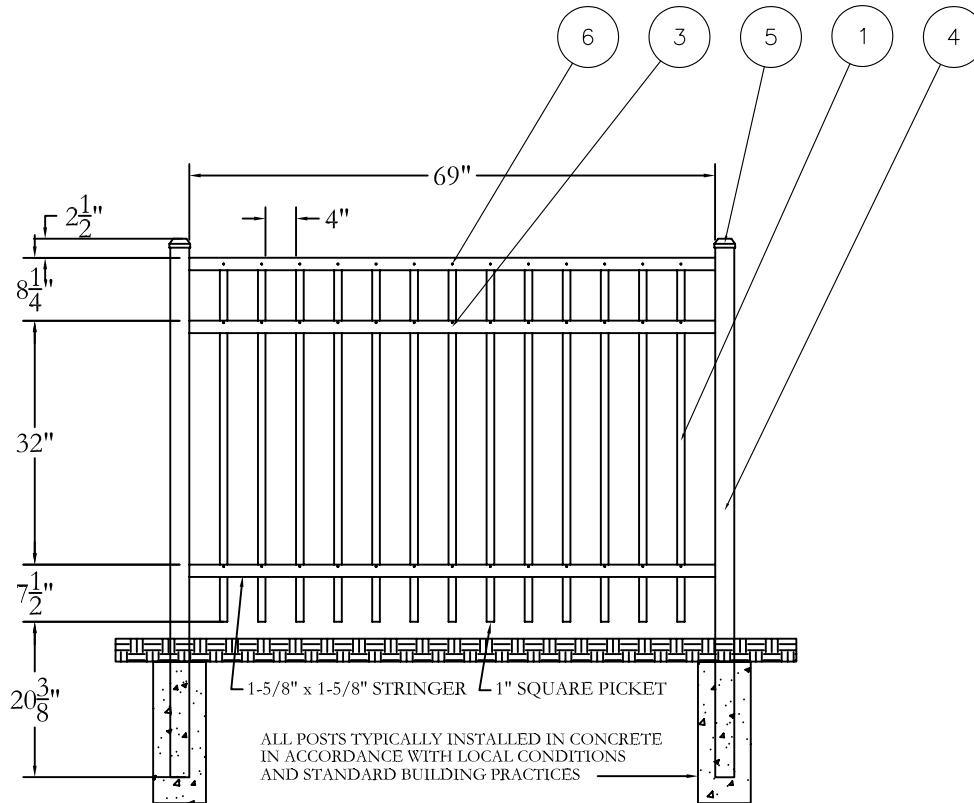
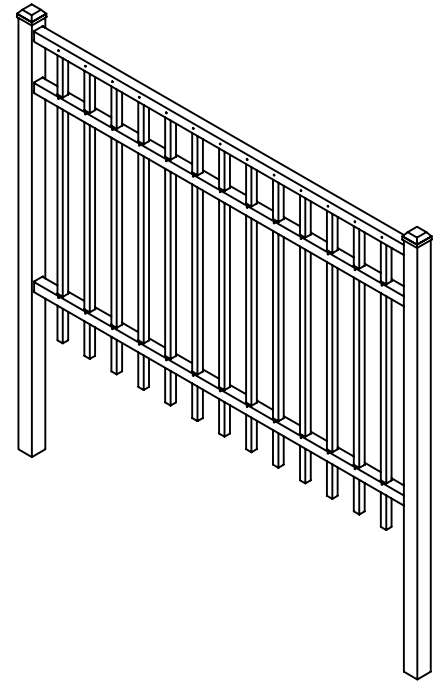


FENCE PARTS			
Name	Qty	Item	
202-48 PICKET	13	1	
70-1/2" - 13 HOLE IND. STRINGER	2	3	
2-1/2" POST	2	4	
2-1/2" ALUMINUM POST CAP	2	5	
70-1/2" - 13 HOLE IND. HEADER	1	6	

ZONE	REV	DESCRIPTION	DATE	APPROVED
-	NC	INITIAL RELEASE		



Jerith[®]
 Manufacturing Co., Inc.
 Philadelphia, PA 19154
 (800)344-2242

DRAWING:
INDUSTRIAL FENCE
STYLE #202 - 48" HEIGHT

SIZE D	DWG NO. IN48U202SN	REV NC
SCALE	DATE 1-1-04	SHEET 1 OF 1

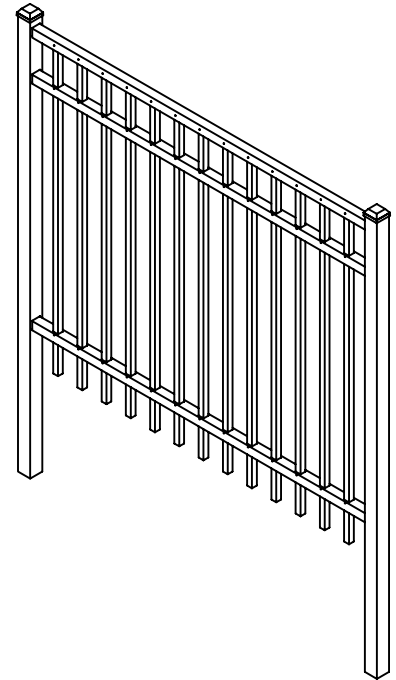
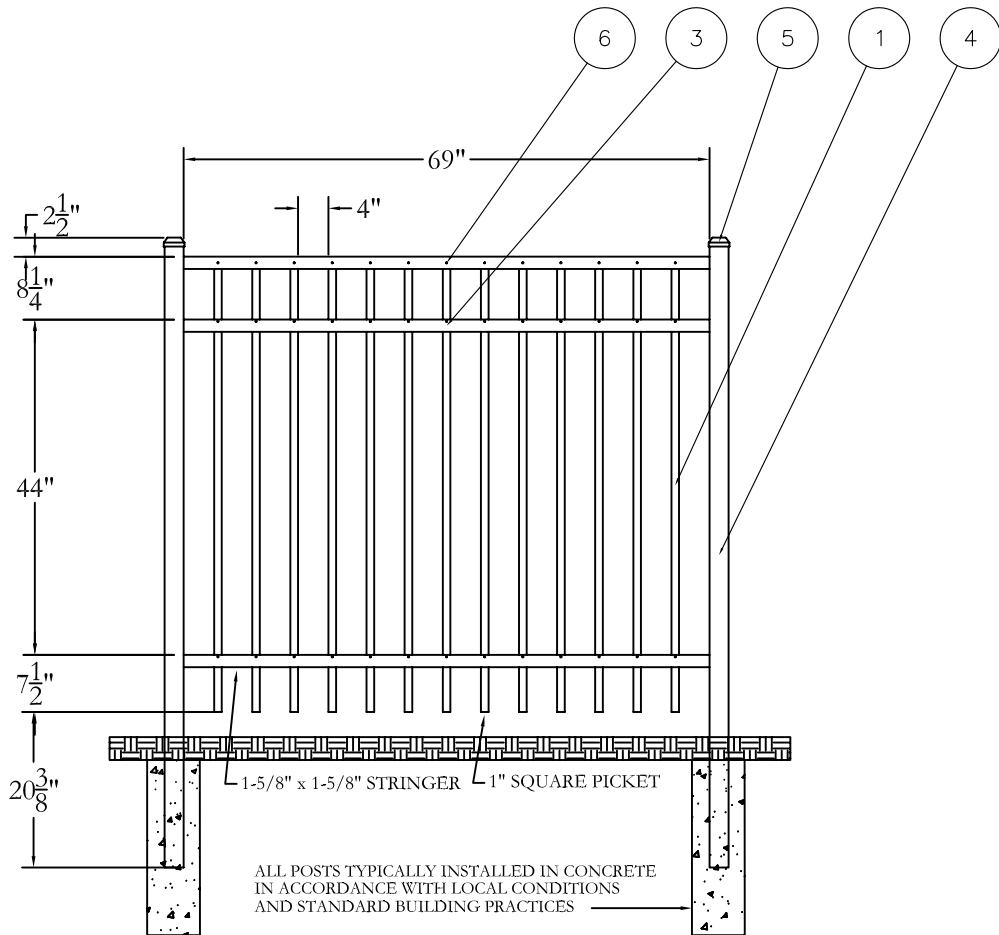
© 2005. This drawing may not be altered or reproduced without the permission of Jerith Manufacturing Co., Inc.

FENCE PARTS			
Name	Qty	Item	
202-60 PICKET	13	1	
70-1/2" - 13 HOLE IND. STRINGER	2	3	
2-1/2" POST	2	4	
2-1/2" ALUMINUM POST CAP	2	5	
70-1/2" - 13 HOLE IND HEADER	1	6	

ZONE	REV	DESCRIPTION	DATE	APPROVED
-	NC	INITIAL RELEASE		

D
C
B
A

D
C
B
A



Jerith[®]
 Manufacturing Co., Inc.
 Philadelphia, PA 19154
 (800)344-2242

DRAWING:
INDUSTRIAL FENCE
STYLE #202 - 60" HEIGHT

ALL POSTS TYPICALLY INSTALLED IN CONCRETE
 IN ACCORDANCE WITH LOCAL CONDITIONS
 AND STANDARD BUILDING PRACTICES

© 2005. This drawing may not be altered
 or reproduced without the permission of
 Jerith Manufacturing Co., Inc.

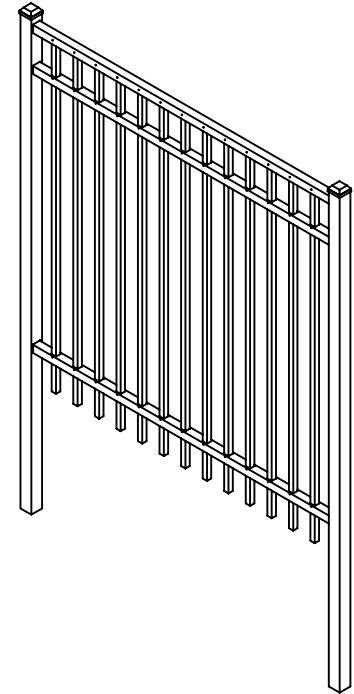
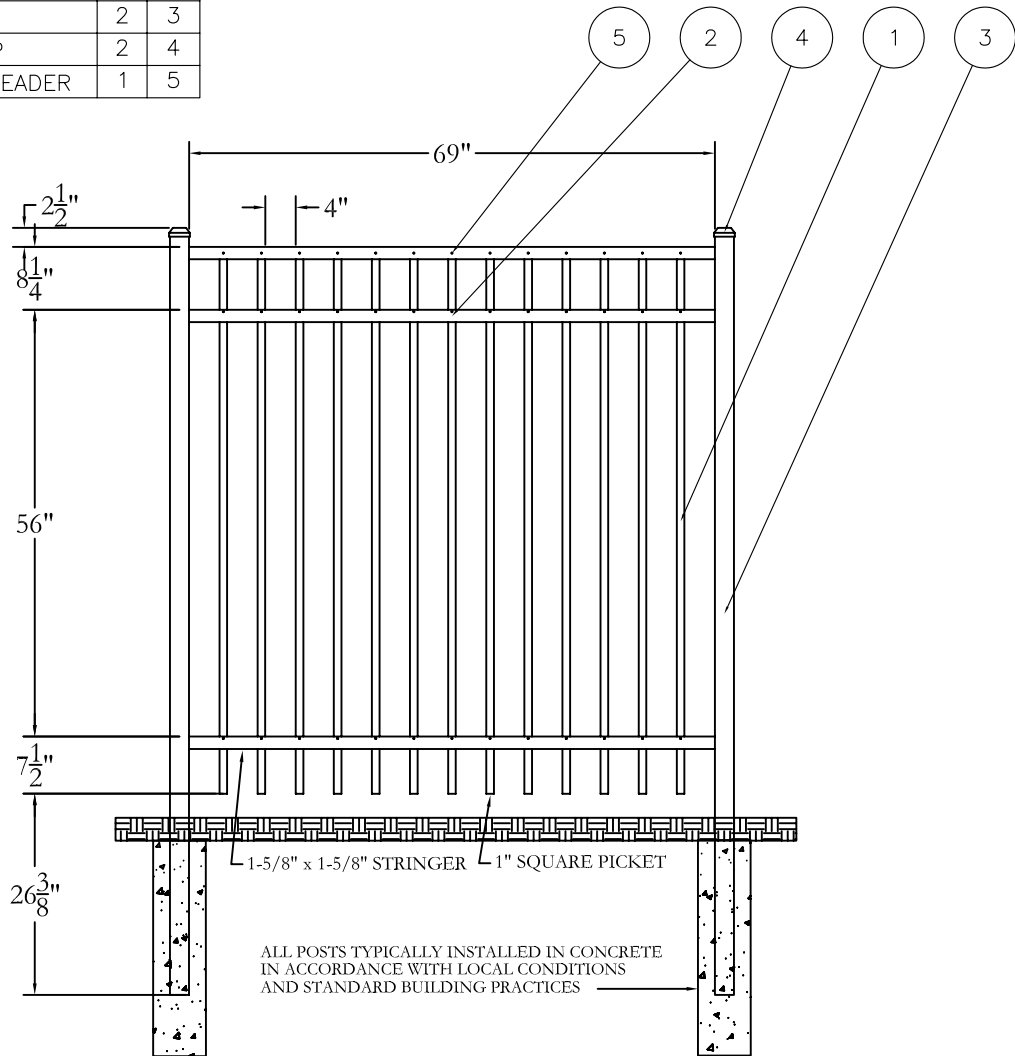
SIZE D	DWG NO. IN60U202SN	REV NC
SCALE	DATE 1-1-05	SHEET 1 OF 1

8 7 6 5 4 3 2 1

8 7 6 5 4 3 2 1

FENCE PARTS			
Name	Qty	Item	
202-72 PICKET	13	1	
70-1/2" - 13 HOLE IND. STRINGER	2	2	
2-1/2" POST	2	3	
2-1/2" ALUMINUM POST CAP	2	4	
70-1/2" - 13 HOLE IND. HEADER	1	5	

ZONE	REV	DESCRIPTION	DATE	APPROVED
-	NC	INITIAL RELEASE		

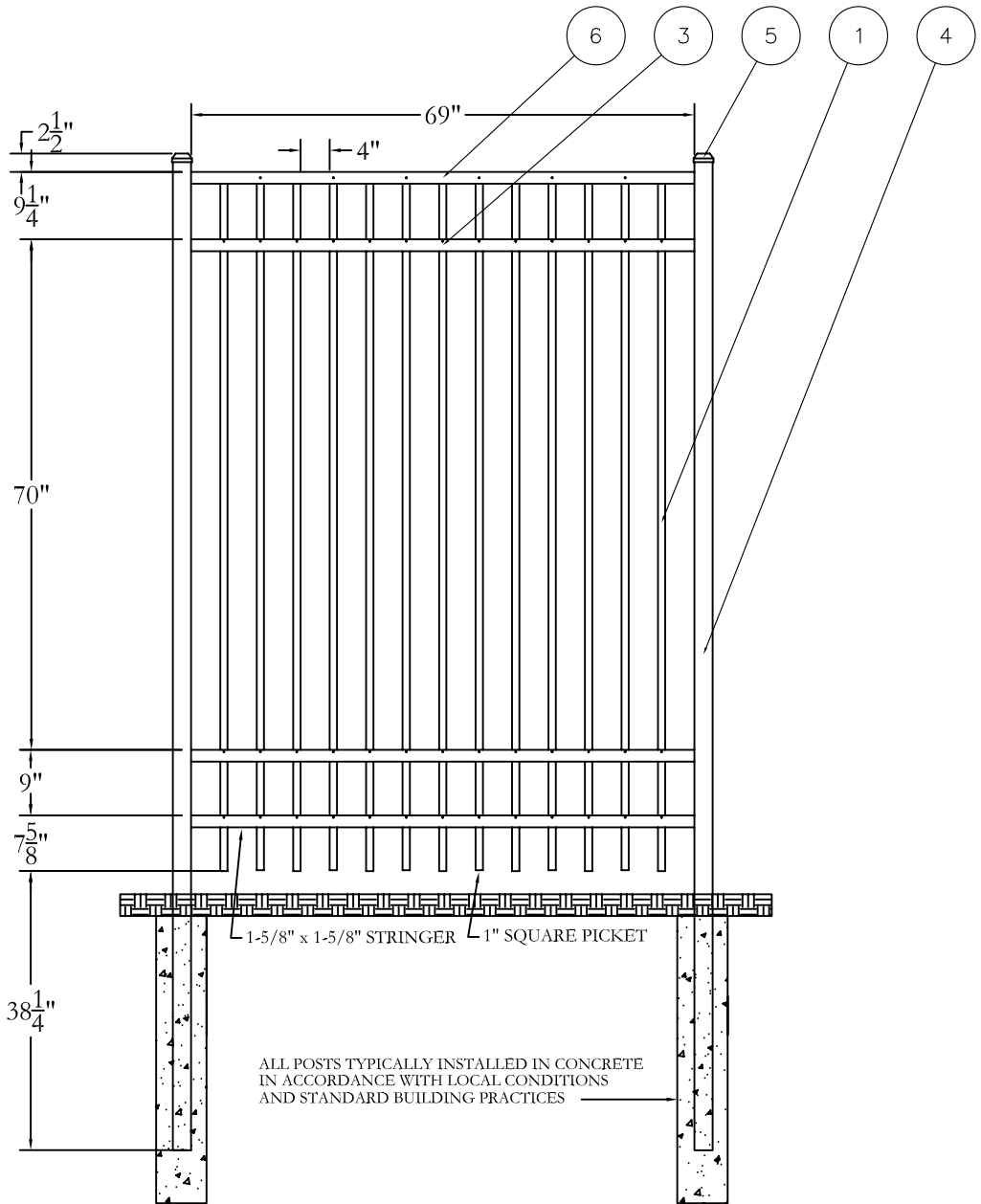


Jerith[®]
 Manufacturing Co., Inc.
 Philadelphia, PA 19154
 (800)344-2242

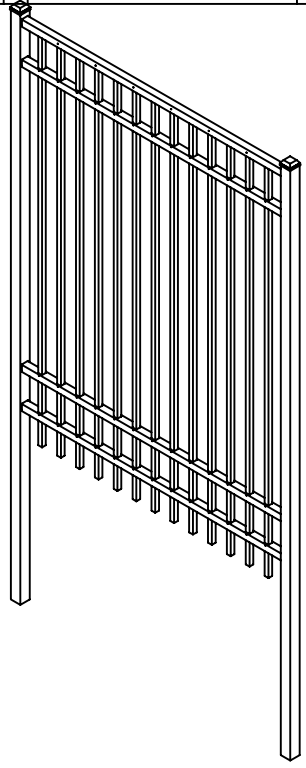
DRAWING:				
INDUSTRIAL FENCE STYLE #202 - 72" HEIGHT				
SIZE	DWG NO.	REV		
D	IN72U202SN	NC		
SCALE	DATE	SHEET		
	1-1-05	1 OF 1		

© 2005. This drawing may not be altered or reproduced without the permission of Jerith Manufacturing Co., Inc.

FENCE PARTS		Qty	Item
Name			
	202-96 PICKET	13	1
	70-1/2" - 13 HOLE IND. STRINGER	3	3
	2-1/2" POST	2	4
	2-1/2" ALUMINIUM POST CAP	2	5
	70-1/2" - 13 HOLE IND. HEADER	1	6



ZONE	REV	DESCRIPTION	DATE	APPROVED
-	1	INITIAL RELEASE		



Jerith[®]
 Manufacturing Co., Inc.
 Philadelphia, PA 19154
 (800)344-2242

DRAWING:
**INDUSTRIAL FENCE
 STYLE #202 - 96" HEIGHT**

SIZE D	DWG NO. IN96U202SN	REV NC
SCALE	DATE 1-1-05	SHEET 1 OF 1

© 2005. This drawing may not be altered or reproduced without the permission of Jerith Manufacturing Co., Inc.