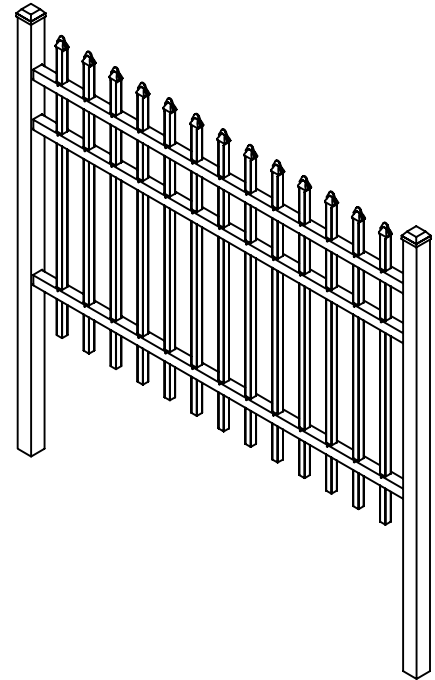
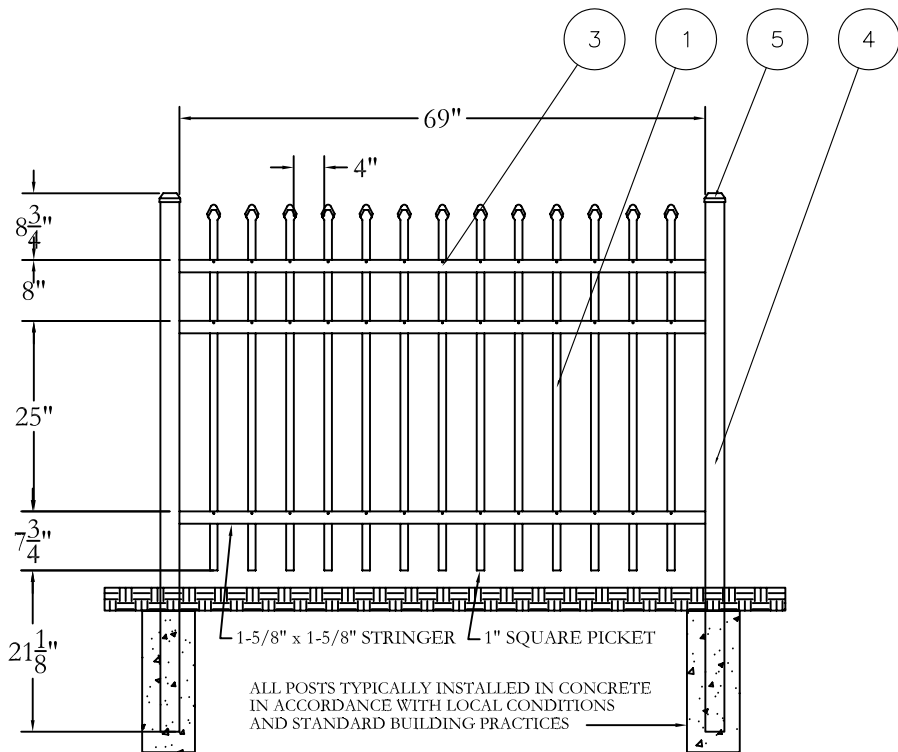


FENCE PARTS			
Name	Qty	Item	
1101-48 PICKET	13	1	
70-1/2" - 13 HOLE IND. STRINGER	3	3	
2-1/2" POST	2	4	
2-1/2" ALUMINUM POST CAP	2	5	

ZONE	REV	DESCRIPTION	DATE	APPROVED
-	NC	INITIAL RELEASE		



Jerith[®]
 Manufacturing Co., Inc.
 Philadelphia, PA 19154
 (800)344-2242

DRAWING:
INDUSTRIAL FENCE
STYLE #101 - 48" HEIGHT

© 2005. This drawing may not be altered or reproduced without the permission of Jerith Manufacturing Co., Inc.

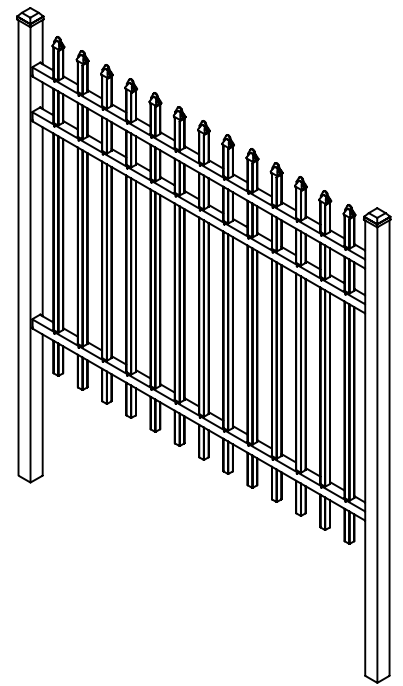
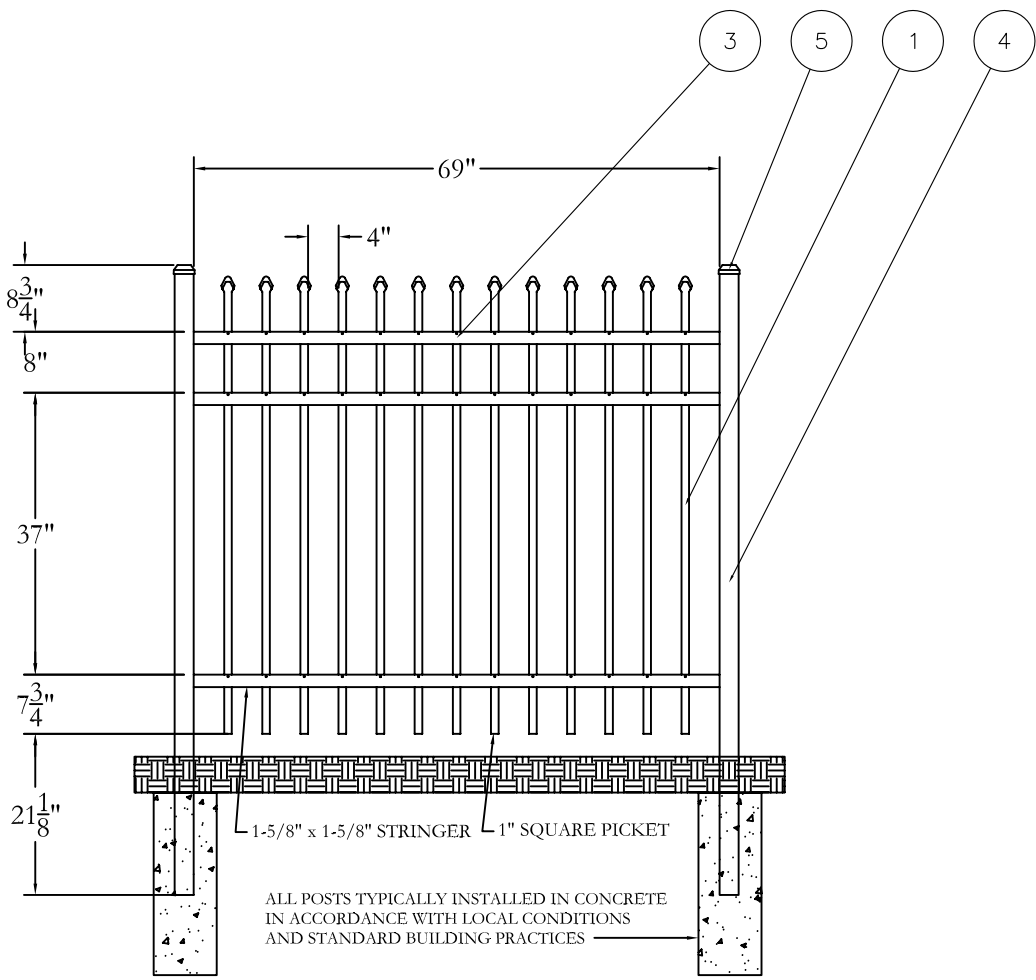
SIZE D	DWG NO. IN48U101SN	REV NC
SCALE	DATE 1-1-04	SHEET 1 OF 1

FENCE PARTS			
Name	Qty	Item	
1101-60 PICKET	13	1	
70-1/2" - 13 HOLE IND. STRINGER	3	3	
2-1/2" POST	2	4	
2-1/2" ALUMINUM POST CAP	2	5	

ZONE	REV	DESCRIPTION	DATE	APPROVED
-	NC	INITIAL RELEASE		

D
C
B
A

D
C
B
A



Jerith[®]
 Manufacturing Co., Inc.
 Philadelphia, PA 19154
 (800)344-2242

DRAWING:
 INDUSTRIAL FENCE
 STYLE #101 - 60" HEIGHT

© 2005. This drawing may not be altered or reproduced without the permission of Jerith Manufacturing Co., Inc.

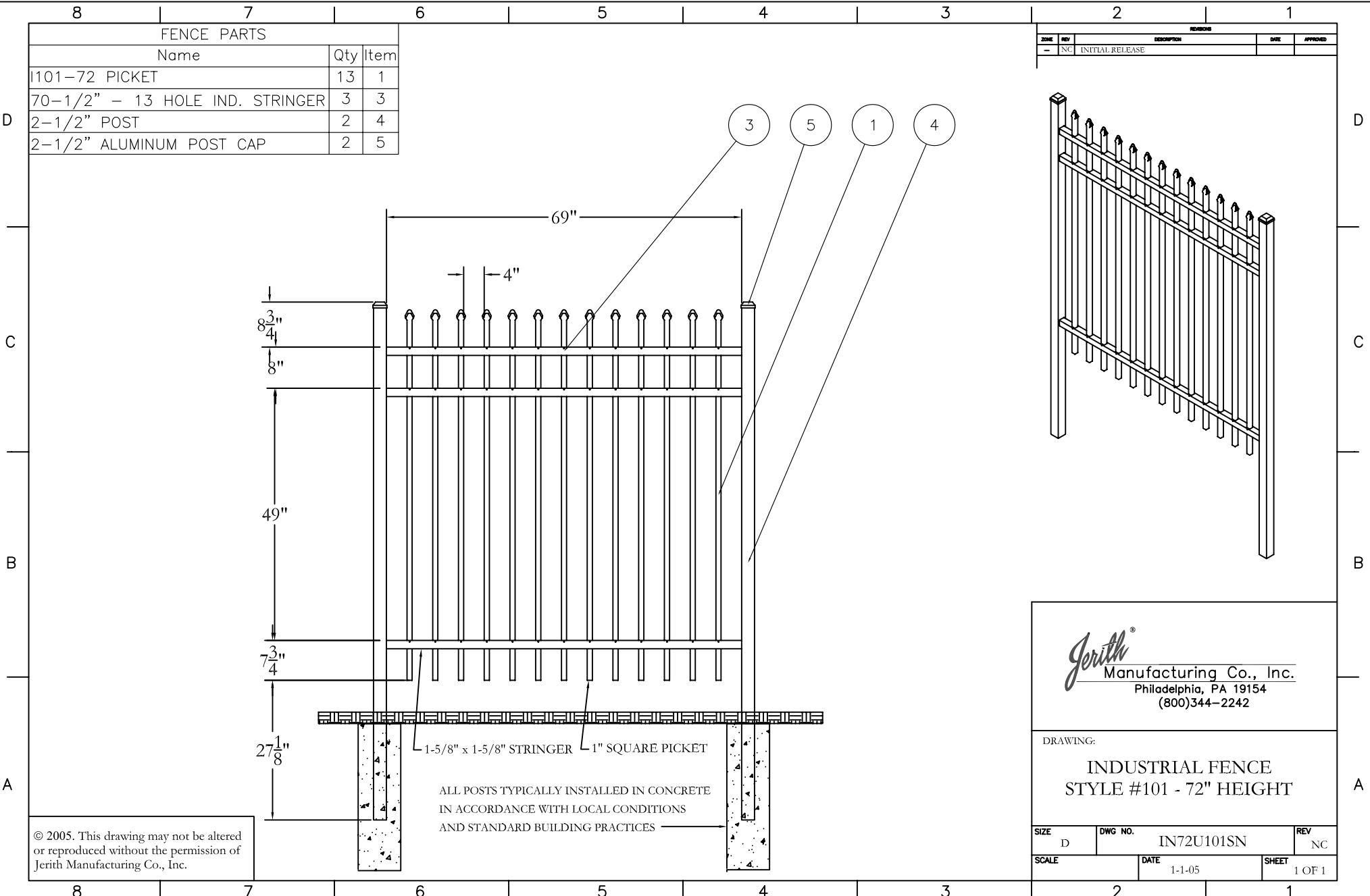
SIZE D	DWG NO. IN60U101SN	REV NC
SCALE	DATE 1-1-05	SHEET 1 OF 1

8 7 6 5 4 3 2 1

8 7 6 5 4 3 2 1

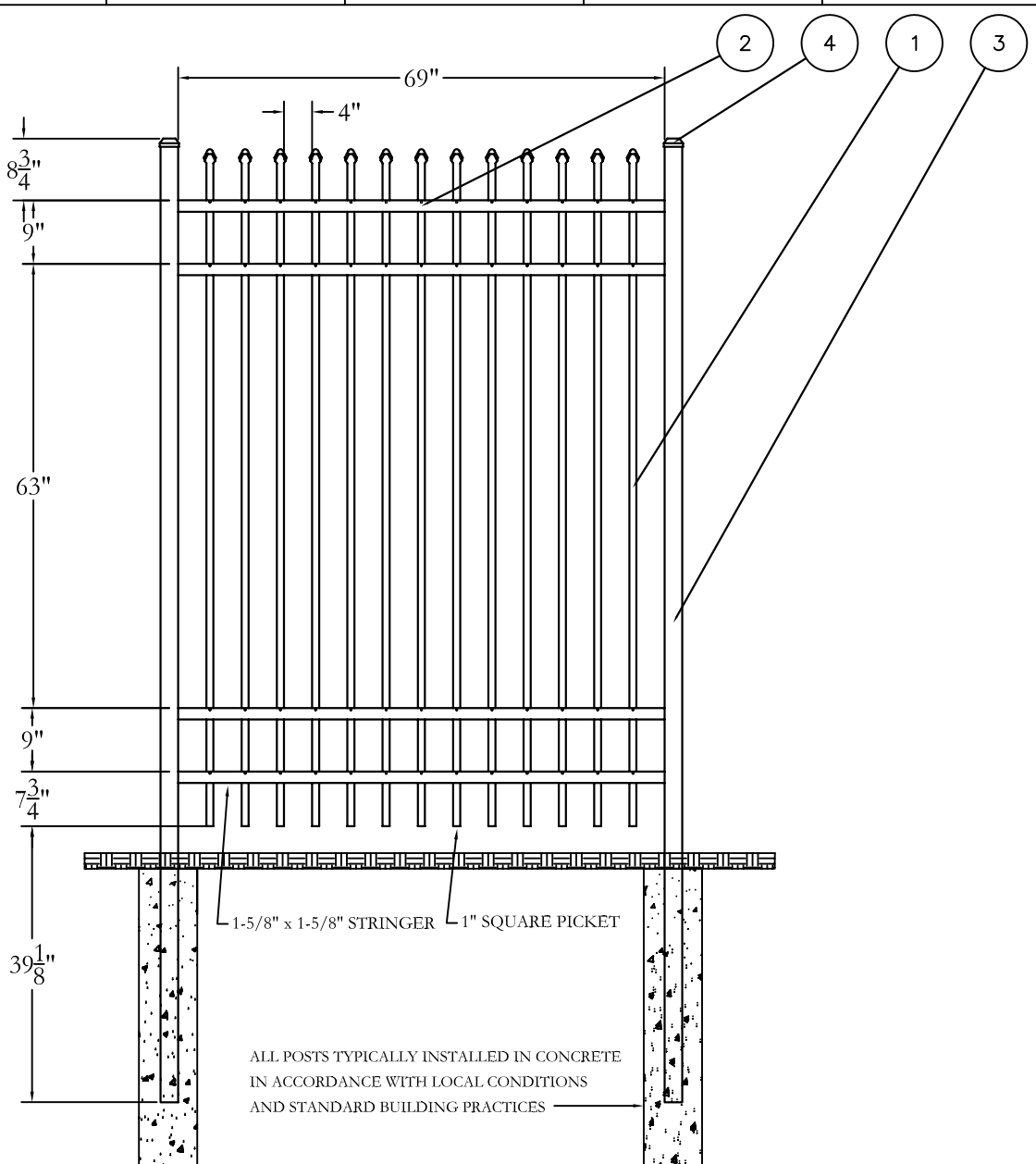
FENCE PARTS			
Name	Qty	Item	
1101-72 PICKET	13	1	
70-1/2" - 13 HOLE IND. STRINGER	3	3	
2-1/2" POST	2	4	
2-1/2" ALUMINUM POST CAP	2	5	

ZONE	REV	DESCRIPTION	DATE	APPROVED
-	NC	INITIAL RELEASE		

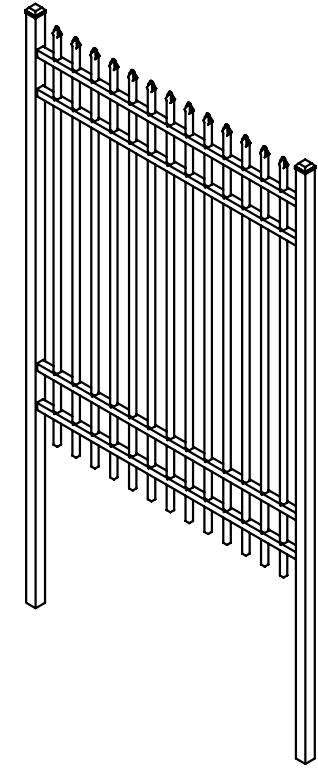


© 2005. This drawing may not be altered or reproduced without the permission of Jerith Manufacturing Co., Inc.

FENCE PARTS		Qty	Item
Name			
1101-96 PICKET		13	1
70-1/2" - 13 HOLE IND. STRINGER		4	2
2-1/2" POST		2	3
2-1/2" ALUMINIUM POST CAP		2	4



ZONE	REV	DESCRIPTION	DATE	APPROVED
-	NC	INITIAL RELEASE		



Jerith[®]
 Manufacturing Co., Inc.
 Philadelphia, PA 19154
 (800)344-2242

DRAWING:
**INDUSTRIAL FENCE
 STYLE #101 - 96" HEIGHT**

SIZE D	DWG NO. IN96U101SN	REV NC
SCALE	DATE 1-1-05	SHEET 1 OF 1

© 2005. This drawing may not be altered or reproduced without the permission of Jerith Manufacturing Co., Inc.

ALL POSTS TYPICALLY INSTALLED IN CONCRETE IN ACCORDANCE WITH LOCAL CONDITIONS AND STANDARD BUILDING PRACTICES