

FENCE PARTS		
ITEM	QTY	NAME
1	2	2" POST
2	2	2" ALUMINUM POST CAP
3	8	R200 - 36" PICKET
4	2	72" - 15 HOLE RESIDENTIAL STRINGER
5	7	R202 - 36" PICKET
6	1	72" - 7 HOLE RESIDENTIAL HEADER

ZONE	REV	DESCRIPTION	DATE	APPROVED
-	NC	INITIAL RELEASE		

D

C

B

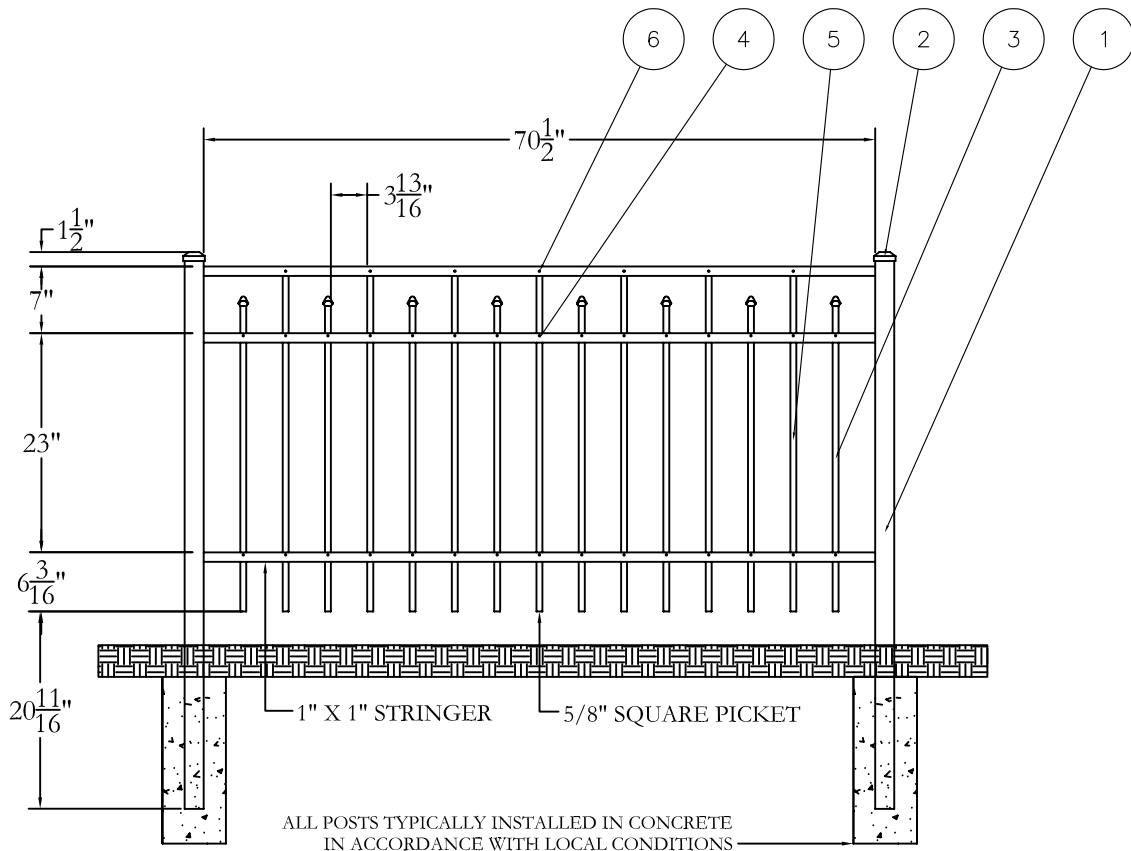
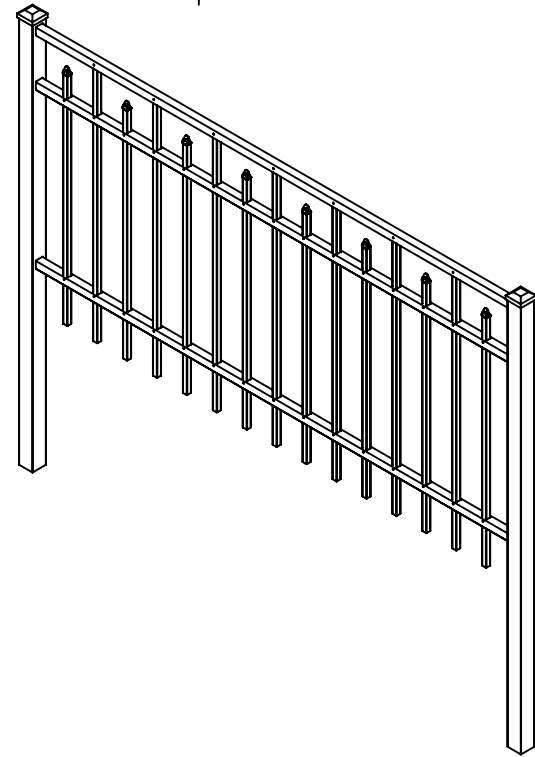
A

D

C

B

A



ALL POSTS TYPICALLY INSTALLED IN CONCRETE
IN ACCORDANCE WITH LOCAL CONDITIONS
AND STANDARD BUILDING PRACTICES

Jerith[®]
Manufacturing Co., Inc.
Philadelphia, PA 19154
(800)344-2242

DRAWING:
RESIDENTIAL FENCE
STYLE #200 - 36" HEIGHT

© 2005. This drawing may not be altered
or reproduced without the permission of
Jerith Manufacturing Co., Inc.

SIZE D	DWG NO. RS36U200SN	REV NC
SCALE	DATE 3-1-04	SHEET 1 OF 1

8 7 6 5 4 3 2 1

FENCE PARTS		
ITEM	QTY	NAME
1	2	72" - 15 HOLE RESIDENTIAL STRINGER
2	1	72" - 7 HOLE RESIDENTIAL HEADER
3	2	2" ALUMINUM POST CAP
4	7	R202 - 48" PICKET
5	2	2" POST
6	8	R200 - 48" PICKET

ZONE	REV	DESCRIPTION	DATE	APPROVED
-	NC	INITIAL RELEASE		

D

C

B

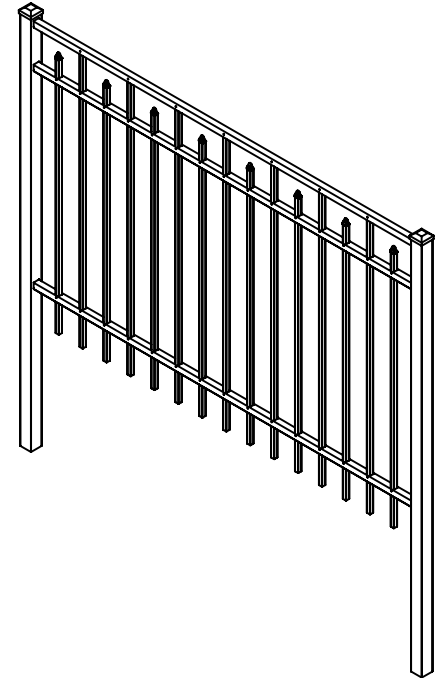
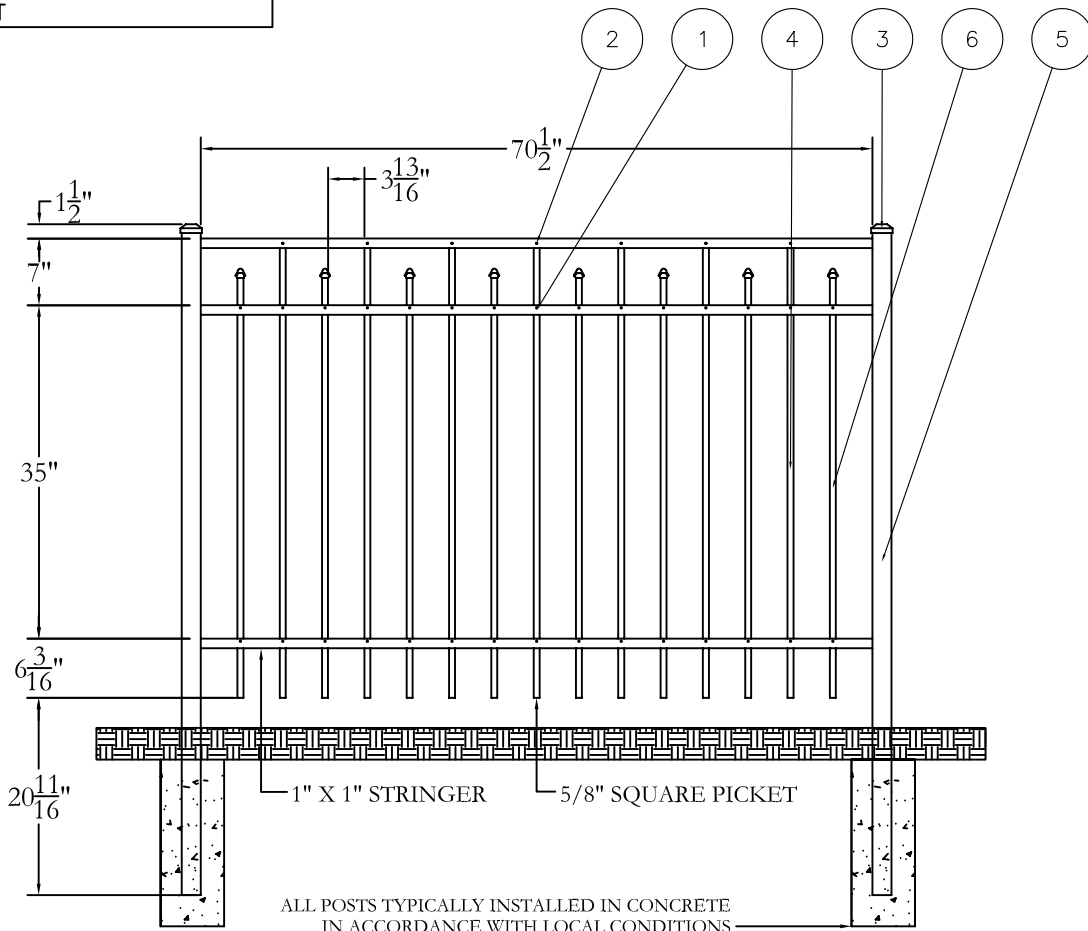
A

D

C

B

A



Jerith[®]
 Manufacturing Co., Inc.
 Philadelphia, PA 19154
 (800)344-2242

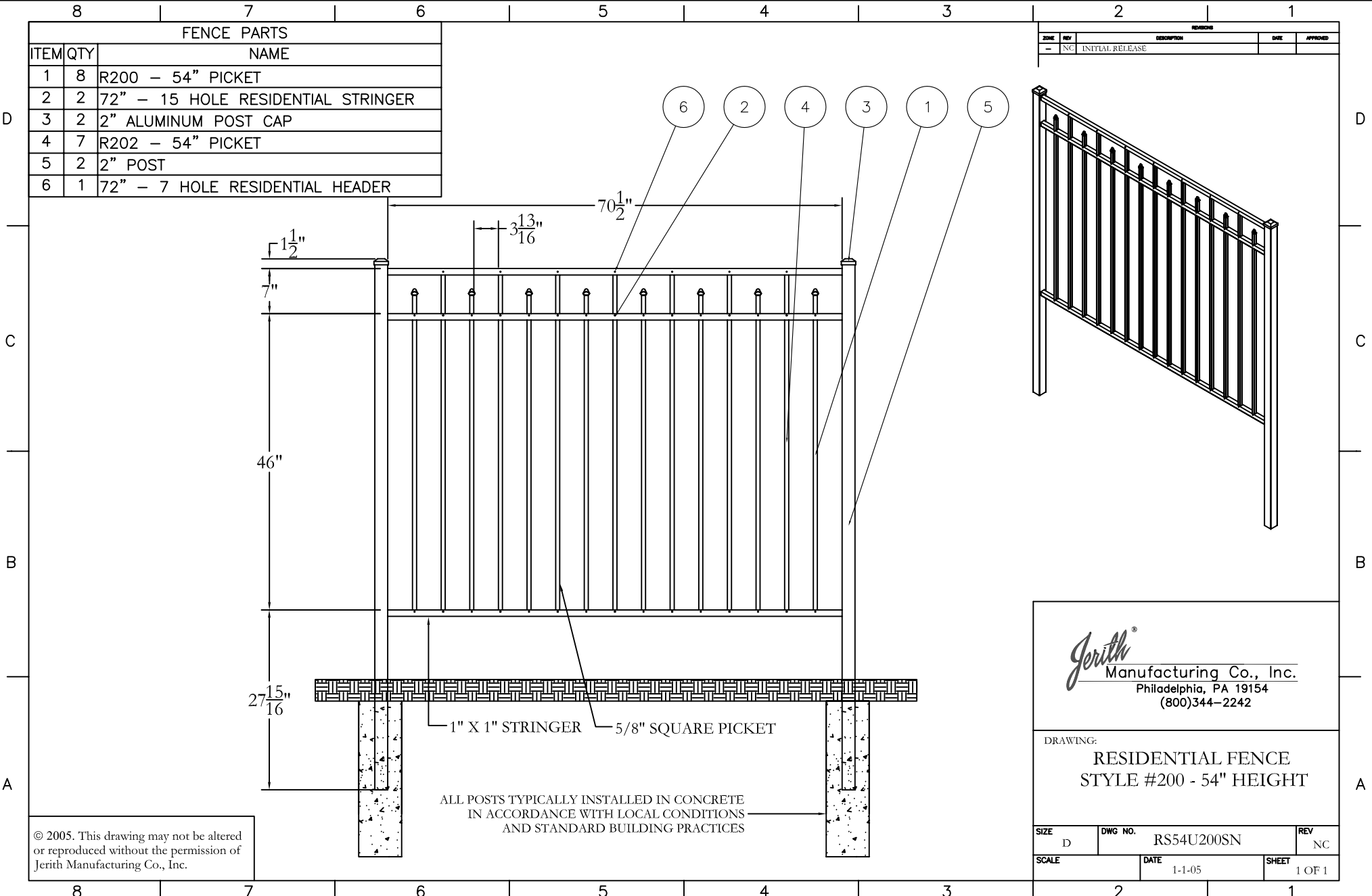
DRAWING:
RESIDENTIAL FENCE
STYLE #200 - 48" HEIGHT

© 2005. This drawing may not be altered or reproduced without the permission of Jerith Manufacturing Co., Inc.

SIZE D	DWG NO. RS48U200SN	REV NC
SCALE	DATE 3-1-04	SHEET 1 OF 1

FENCE PARTS		
ITEM	QTY	NAME
1	8	R200 - 54" PICKET
2	2	72" - 15 HOLE RESIDENTIAL STRINGER
3	2	2" ALUMINUM POST CAP
4	7	R202 - 54" PICKET
5	2	2" POST
6	1	72" - 7 HOLE RESIDENTIAL HEADER

ZONE	REV	DESCRIPTION	DATE	APPROVED
-	NC	INITIAL RELEASE		



© 2005. This drawing may not be altered or reproduced without the permission of Jerith Manufacturing Co., Inc.

ALL POSTS TYPICALLY INSTALLED IN CONCRETE IN ACCORDANCE WITH LOCAL CONDITIONS AND STANDARD BUILDING PRACTICES

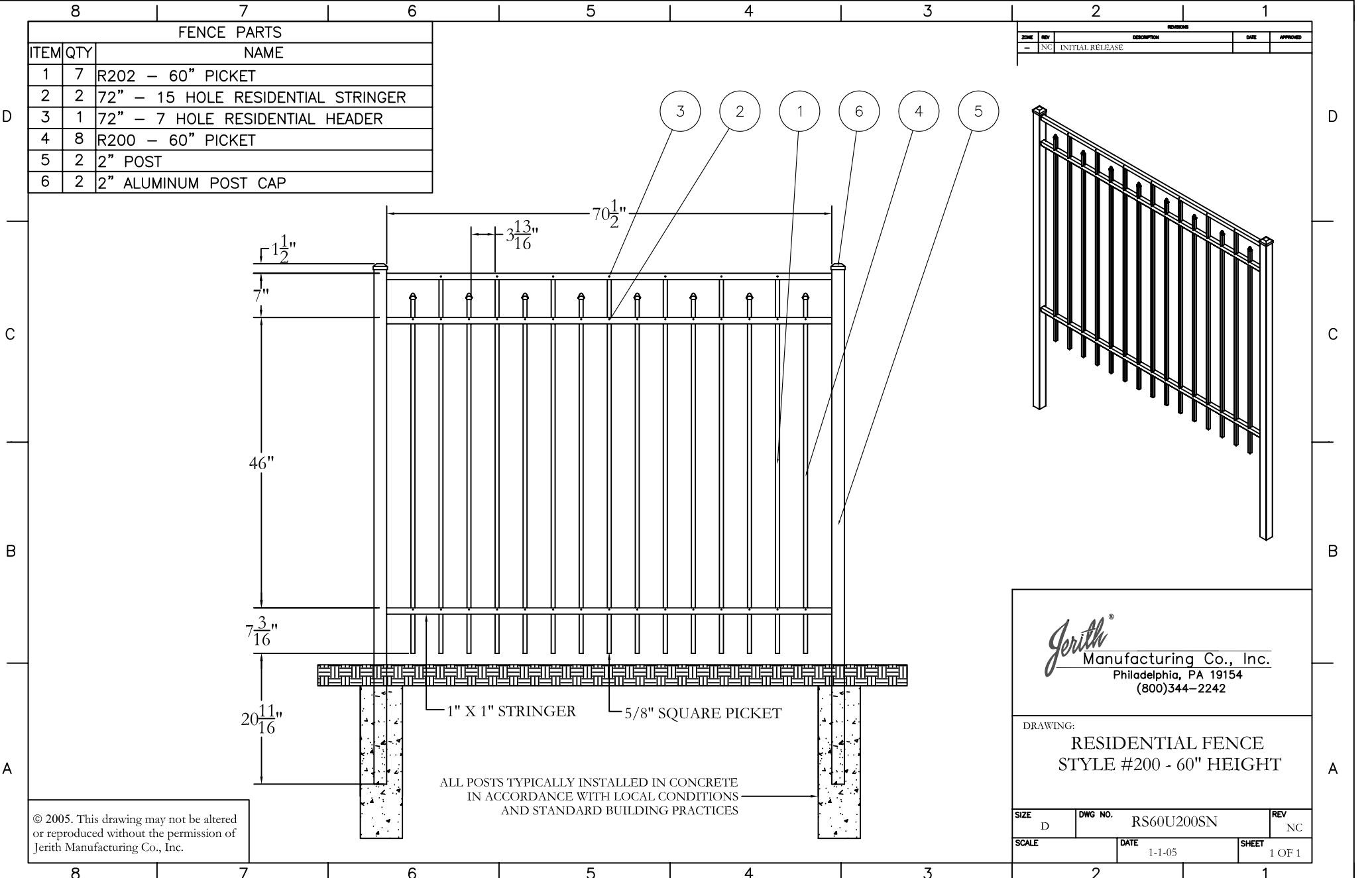
Jerith[®]
 Manufacturing Co., Inc.
 Philadelphia, PA 19154
 (800)344-2242

DRAWING:
RESIDENTIAL FENCE
STYLE #200 - 54" HEIGHT

SIZE D	DWG NO. RS54U200SN	REV NC
SCALE	DATE 1-1-05	SHEET 1 OF 1

FENCE PARTS		
ITEM	QTY	NAME
1	7	R202 - 60" PICKET
2	2	72" - 15 HOLE RESIDENTIAL STRINGER
3	1	72" - 7 HOLE RESIDENTIAL HEADER
4	8	R200 - 60" PICKET
5	2	2" POST
6	2	2" ALUMINUM POST CAP

ZONE	REV	DESCRIPTION	DATE	APPROVED
-	NC	INITIAL RELEASE		



Jerith[®]
 Manufacturing Co., Inc.
 Philadelphia, PA 19154
 (800)344-2242

DRAWING:
RESIDENTIAL FENCE
STYLE #200 - 60" HEIGHT

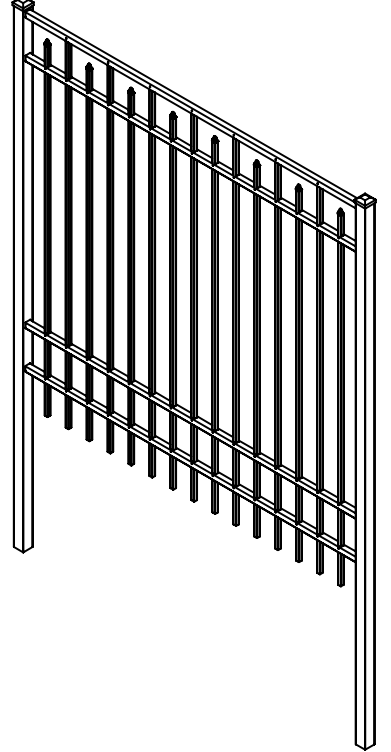
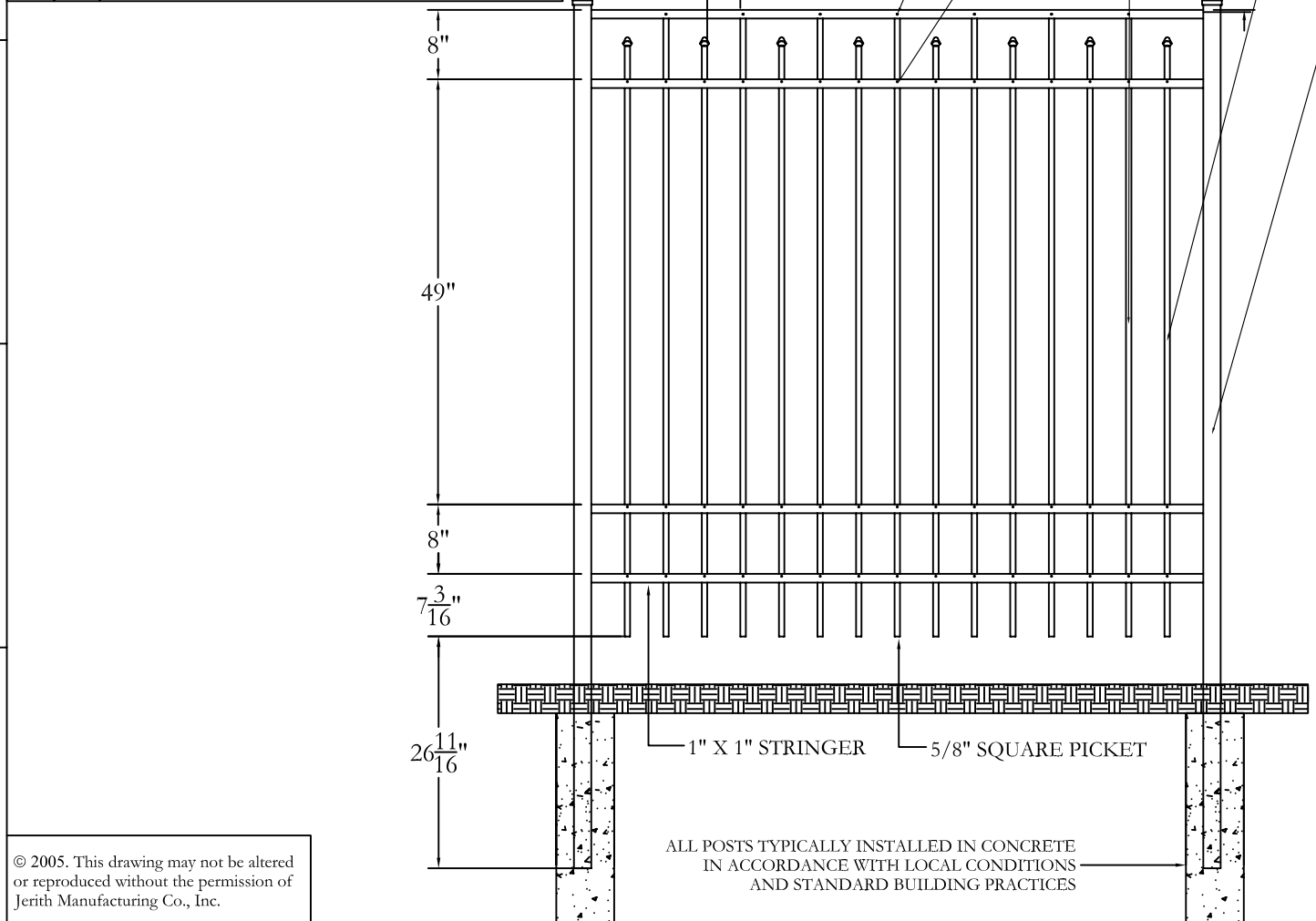
SIZE D	DWG NO. RS60U200SN	REV NC
SCALE	DATE 1-1-05	SHEET 1 OF 1

© 2005. This drawing may not be altered or reproduced without the permission of Jerith Manufacturing Co., Inc.

ALL POSTS TYPICALLY INSTALLED IN CONCRETE IN ACCORDANCE WITH LOCAL CONDITIONS AND STANDARD BUILDING PRACTICES

FENCE PARTS		
ITEM	QTY	NAME
1	3	72" - 15 HOLE RESIDENTIAL STRINGER
2	1	72" - 7 HOLE RESIDENTIAL HEADER
3	8	R200 - 72" PICKET
4	2	2" POST
5	7	R202 - 72" PICKET
6	2	2" ALUMINUM POST CAP

ZONE	REV	DESCRIPTION	DATE	APPROVED
-	NC	INITIAL RELEASE		



Jerith[®]
 Manufacturing Co., Inc.
 Philadelphia, PA 19154
 (800)344-2242

DRAWING:
RESIDENTIAL FENCE
STYLE #200 - 72" HEIGHT

© 2005. This drawing may not be altered or reproduced without the permission of Jerith Manufacturing Co., Inc.

ALL POSTS TYPICALLY INSTALLED IN CONCRETE IN ACCORDANCE WITH LOCAL CONDITIONS AND STANDARD BUILDING PRACTICES

SIZE D	DWG NO. RS72U200SN	REV NC
SCALE	DATE 1-1-05	SHEET 1 OF 1