

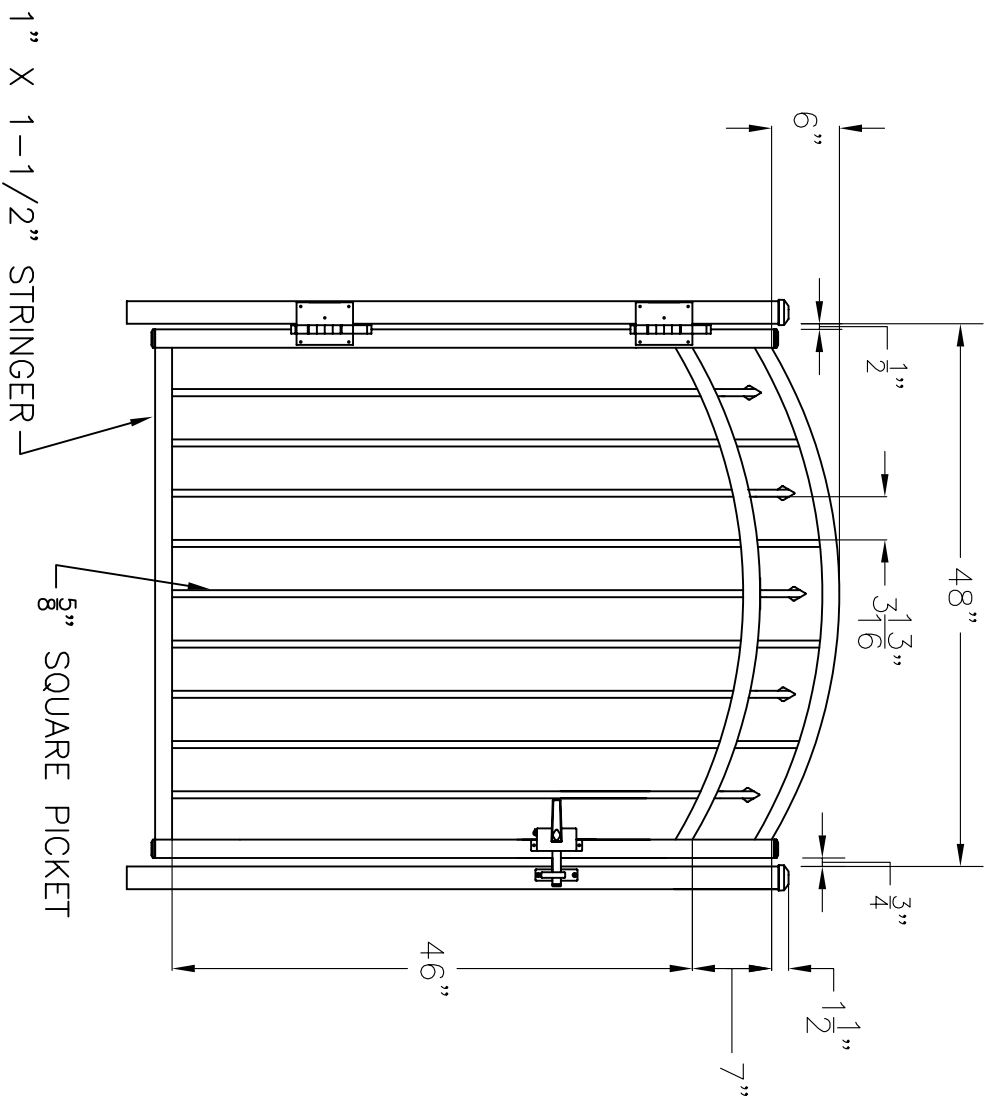
1" X 1-1/2" STRINGER

5" SQUARE PICKET

Jerith[®]
 Manufacturing Co., Inc.
 Philadelphia, PA 19154
 (800)344-2242

Drawing
RESIDENTIAL ACCENT GATE
STYLE #200
48" HIGH X 48" WIDE

Date **September 2004** Drawing No.
 Copyright 2004
 This drawing
 may not be altered
 without permission of
 Jerith Manufacturing Co., Inc. **RS48U20048**



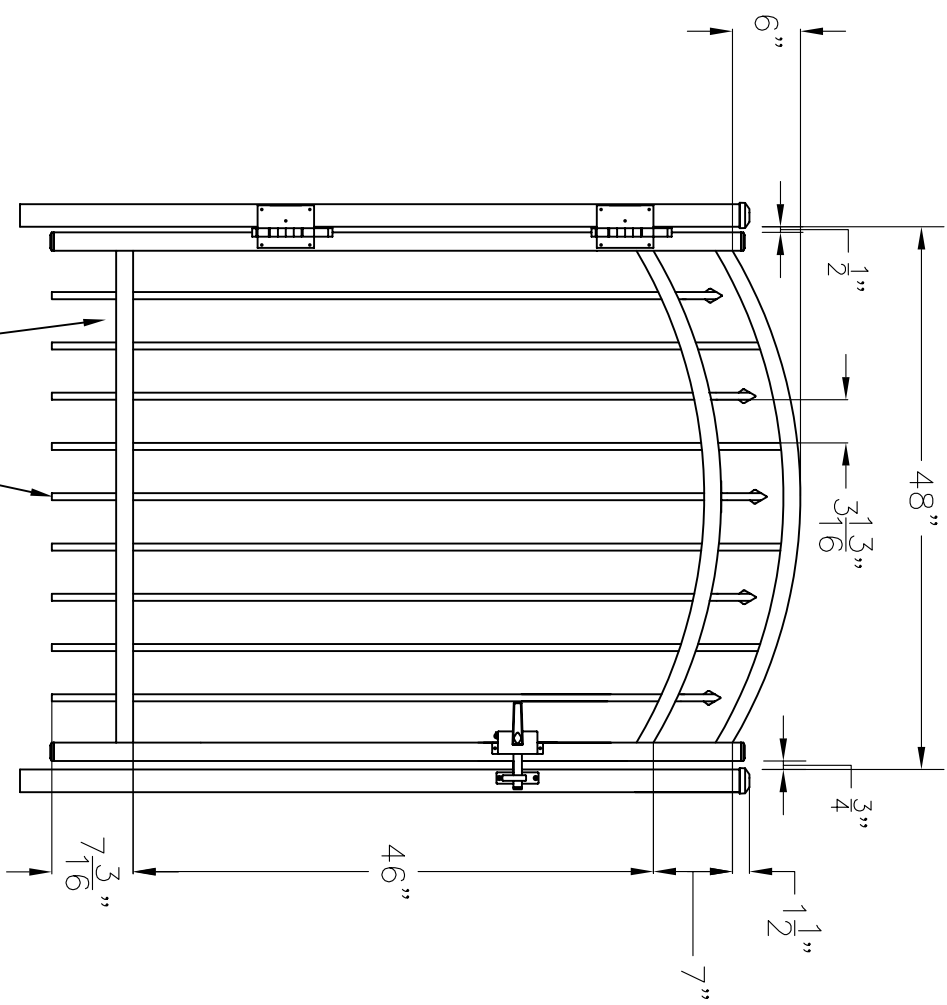
jerrell
 Manufacturing Co., Inc.
 Philadelphia, PA 19154
 (800)344-2242


RESIDENTIAL ACCENT GATE
STYLE #200
54" HIGH X 48" WIDE

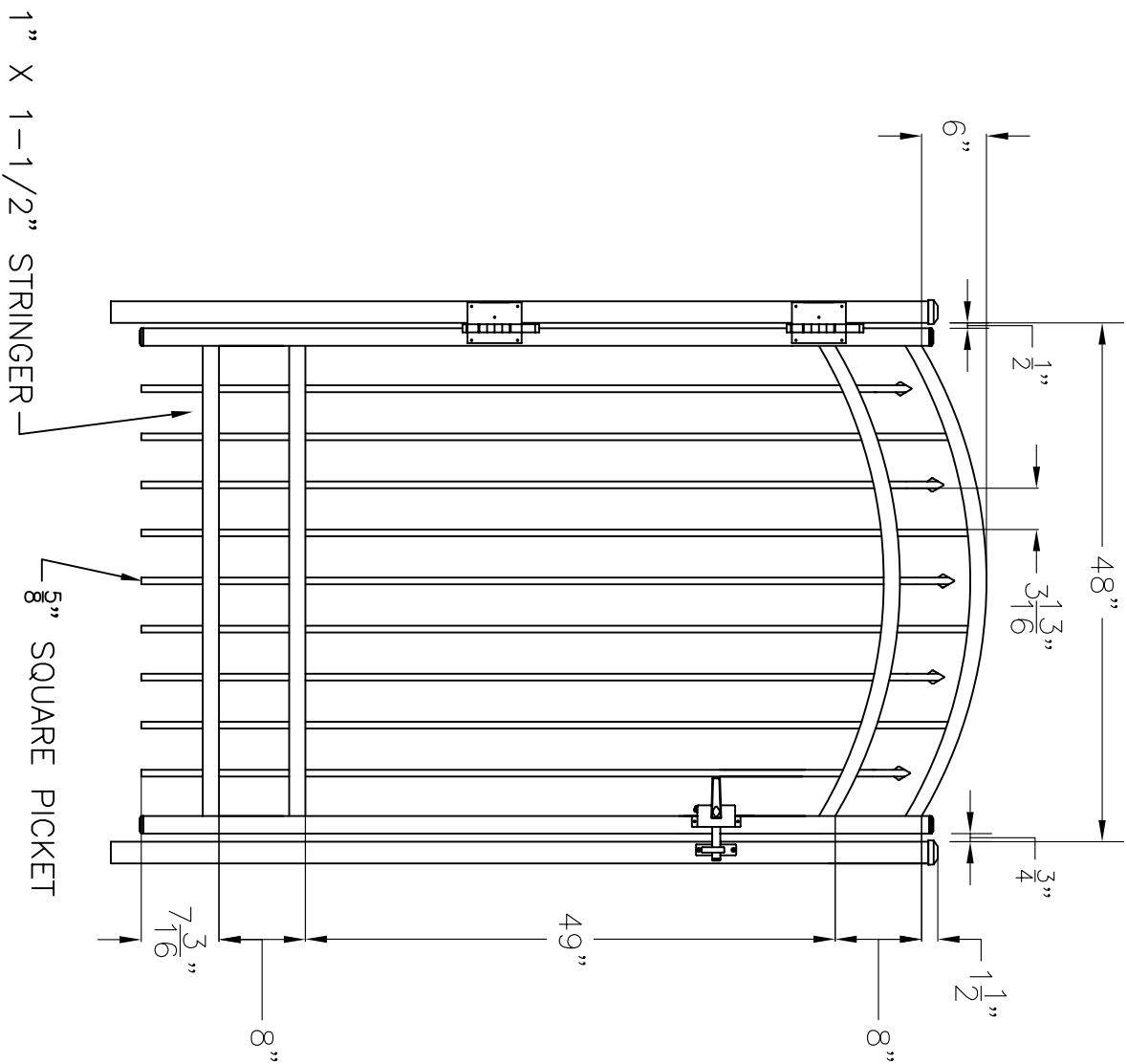
Date: September 2004
 Copyright 2004
 No part of this drawing may be reproduced without permission of Jerrell Manufacturing Co., Inc.
 Drawing No. **RS54U20048**

1" X 1-1/2" STRINGER

5" SQUARE PICKET



 Jerrith Manufacturing Co., Inc. Philadelphia, PA 19154 (800)344-2242	
Copyright 2004 The drawing may be reproduced without permission of Jerrith Manufacturing Co., Inc.	Drawing No. RS60U20048
Date September 2004	Drawing No. RS60U20048
RESIDENTIAL ACCENT GATE STYLE #200 60" HIGH X 48" WIDE	



jerrell
 Manufacturing Co., Inc.
 Philadelphia, PA 19154
 (800)344-2242

Residential ACCENT GATE
 STYLE #200
 72" HIGH X 48" WIDE

Copyright 2004
 All rights reserved.
 No part of this drawing may be reproduced without permission of Jerrell Manufacturing Co., Inc.

RS72U20048