

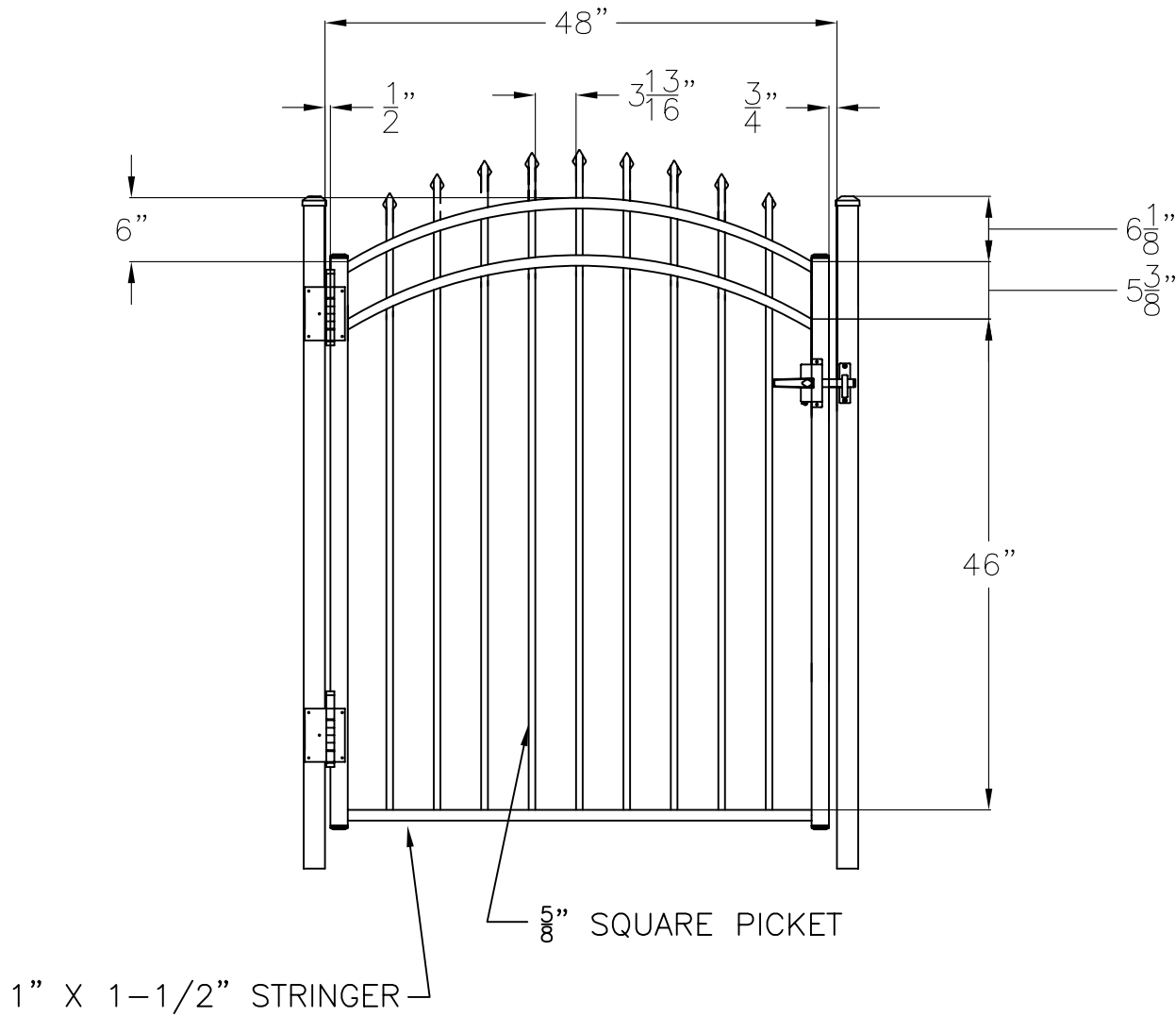
1" X 1-1/2" STRINGER

5/8" SQUARE PICKET

*Jerith*<sup>®</sup>  
 Manufacturing Co., Inc.  
 Philadelphia, PA 19154  
 (800)344-2242

Drawing  
**RESIDENTIAL ACCENT GATE**  
**STYLE #101**  
**48" HIGH X 48" WIDE**

Date **September 2004** Drawing No.  
 Copyright 2004  
 This drawing  
 may not be altered  
 without permission of  
 Jerith Manufacturing Co., Inc. **RS48U10148**



*Jerith*<sup>®</sup>  
 Manufacturing Co., Inc.  
 Philadelphia, PA 19154  
 (800)344-2242

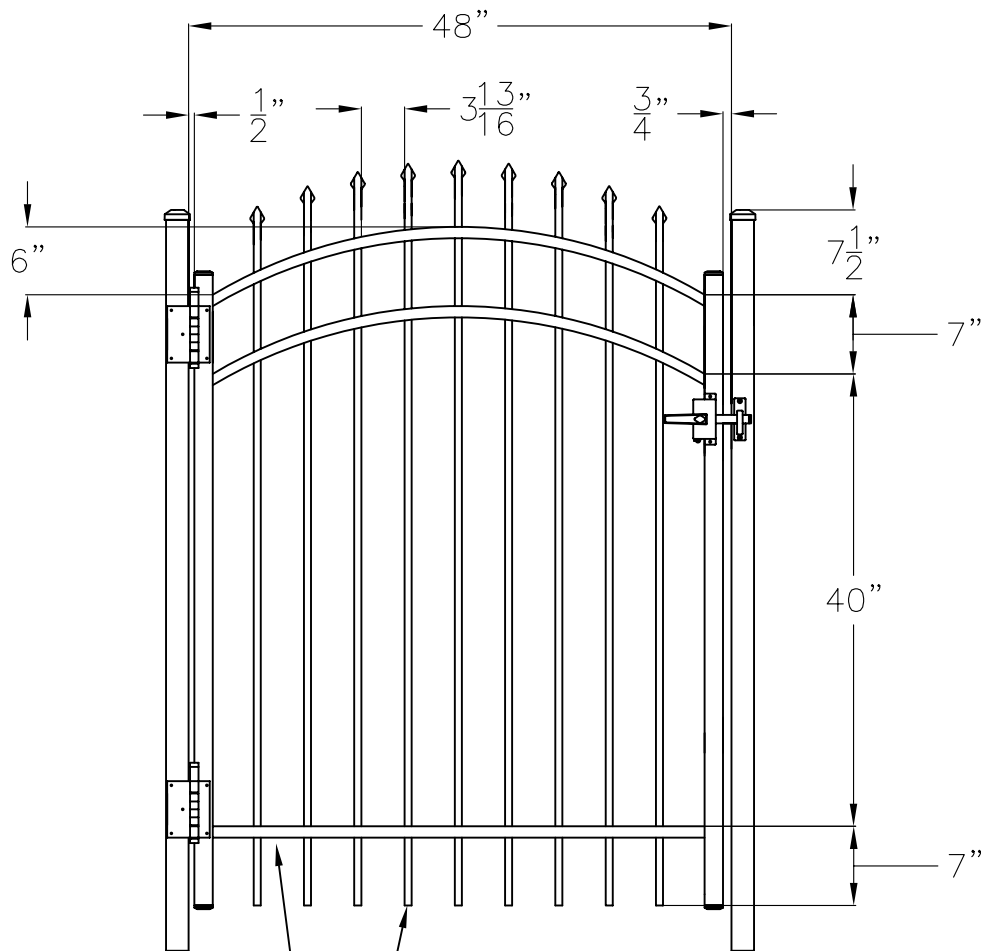
Drawing  
**RESIDENTIAL ACCENT GATE**  
**STYLE #101**  
**57" HIGH X 48" WIDE**

Date **September 2004**

Drawing No.

Copyright 2004  
 This drawing  
 may not be altered  
 without permission of  
 Jerith Manufacturing Co., Inc.

**RS57U10148**



1" X 1-1/2" STRINGER

5/8" SQUARE PICKET

*Jerith*<sup>®</sup>  
 Manufacturing Co., Inc.  
 Philadelphia, PA 19154  
 (800)344-2242

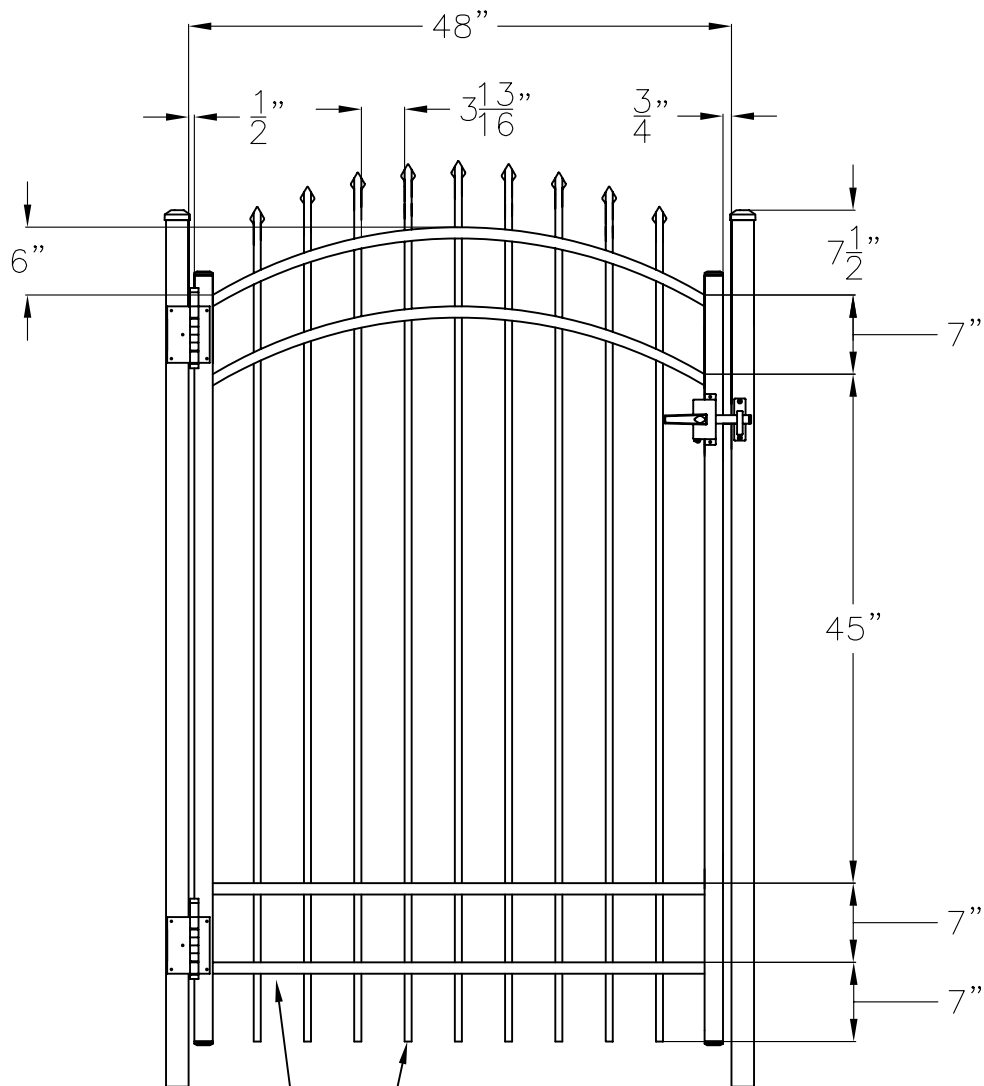
Drawing  
**RESIDENTIAL ACCENT GATE**  
**STYLE #101**  
**60" HIGH X 48" WIDE**

Date **September 2004**

Drawing No.

Copyright 2004  
 This drawing  
 may not be altered  
 without permission of  
 Jerith Manufacturing Co., Inc.

**RS60U10148**



1" X 1-1/2" STRINGER

5/8" SQUARE PICKET

*Jerith*<sup>®</sup>  
 Manufacturing Co., Inc.  
 Philadelphia, PA 19154  
 (800)344-2242

**RESIDENTIAL ACCENT GATE**  
**STYLE #101**  
**72" HIGH X 48" WIDE**

Date **September 2004** Drawing No. **RS72U10148**  
 Copyright 2004  
 This drawing  
 may not be altered  
 without permission of  
 Jerith Manufacturing Co., Inc.