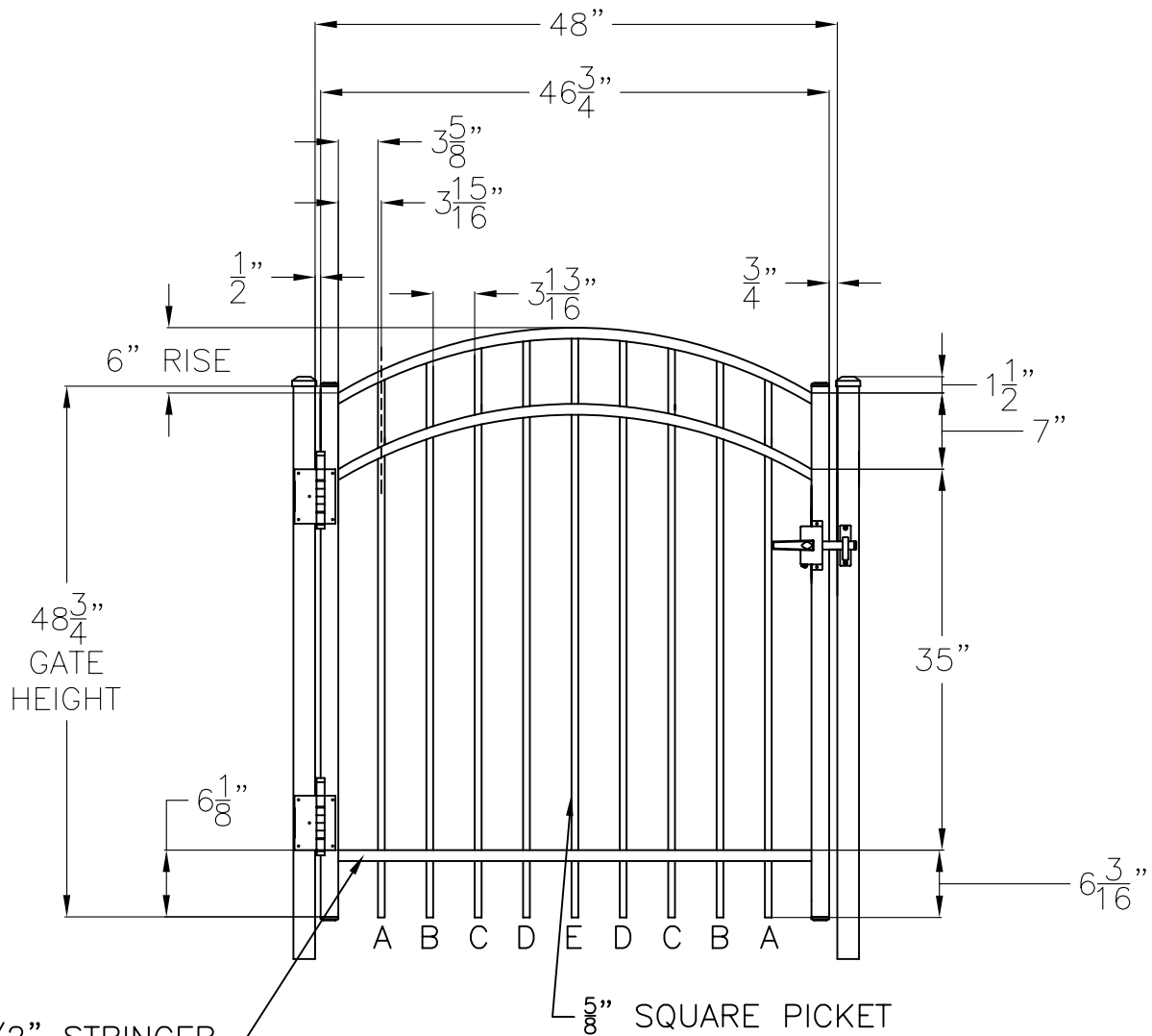


PICKET INFORMATION		
PICKET ID	PICKET LENGHTS	QTY.
A	49-11/16"	2
B	52-1/8"	2
C	53-1/2"	2
D	54"	1

Jerith[®]
 Manufacturing Co., Inc.
 Philadelphia, PA 19154
 (800)344-2242

Drawing
LIBERTY ACCENT GATE
STYLE #22
48" HIGH X 36" WIDE

Date August 2014-- DSD Drawing No.
 Copyright 2014
 This drawing
 may not be altered
 without permission of
 Jerith Manufacturing Co., Inc. **LI48U2236AG**

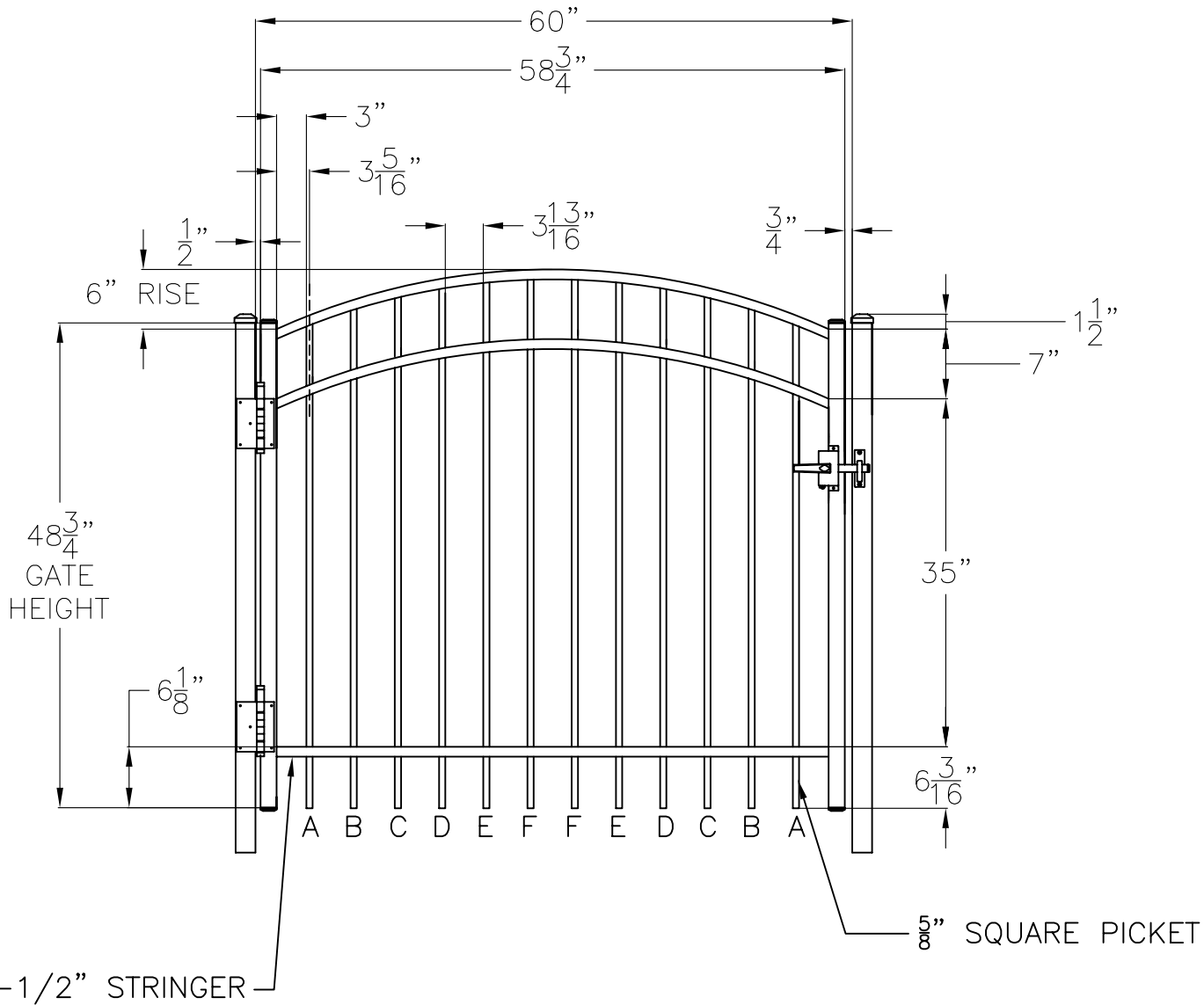


PICKET INFORMATION		
PICKET ID	PICKET LENGHTS	QTY.
A	49-15/16"	2
B	51-3/4"	2
C	53"	2
D	53-3/4"	2
E	54"	1

Jerith[®]
 Manufacturing Co., Inc.
 Philadelphia, PA 19154
 (800)344-2242

Drawing
LIBERTY ACCENT GATE
STYLE #22
48" HIGH X 48" WIDE

Date **September 2014** Drawing No.
 Copyright 2004
 This drawing
 may not be altered
 without permission of
 Jerith Manufacturing Co., Inc. **LI48U2248AG**



PICKET INFORMATION

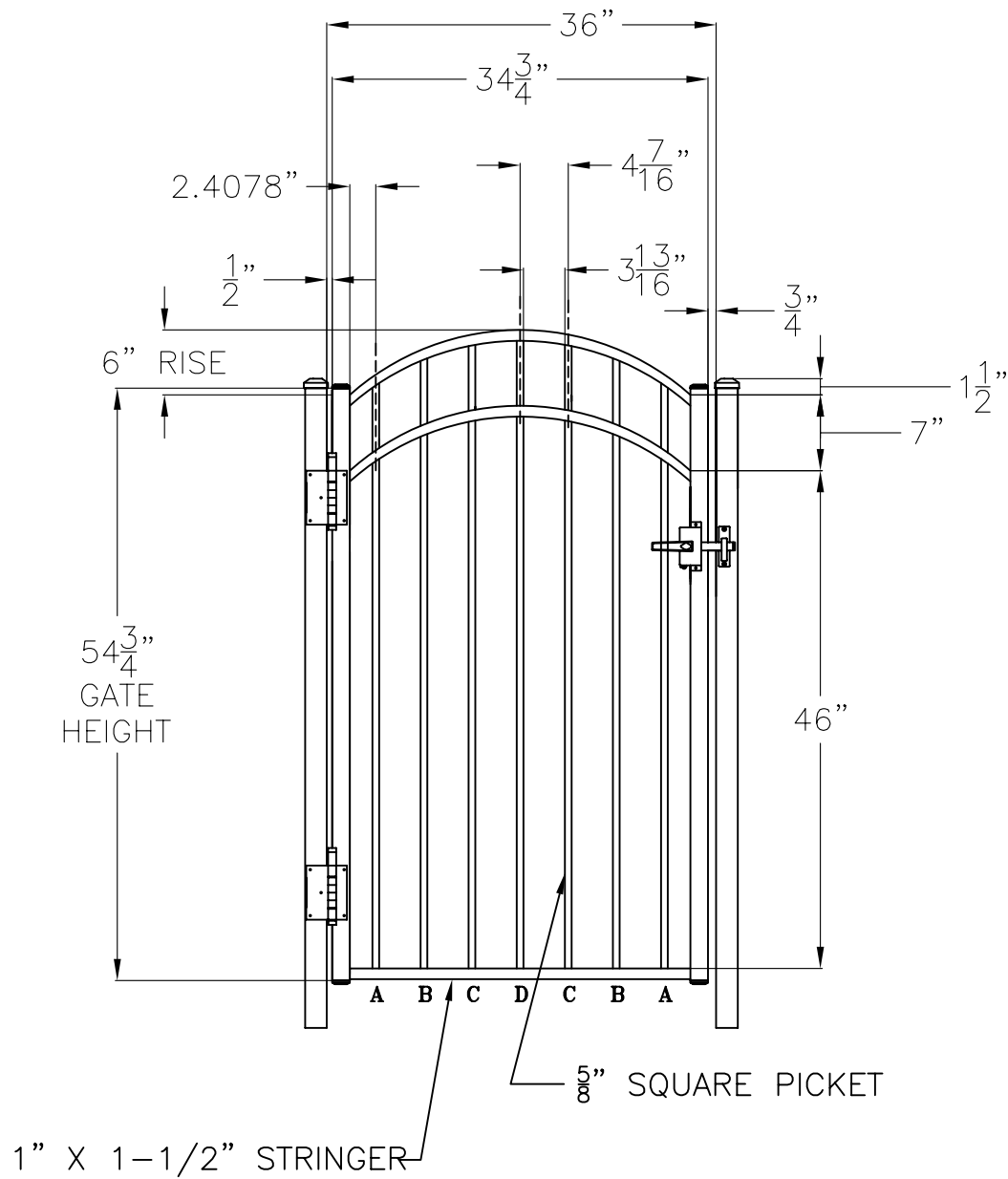
PICKET ID	PICKET LENGHTS	QTY.
A	49-1/4"	2
B	50-7/8"	2
C	52-1/8"	2
D	53"	2
E	53-5/8"	2
F	53-15/16"	2

Jerith[®]
 Manufacturing Co., Inc.
 Philadelphia, PA 19154
 (800)344-2242

Drawing
LIBERTY ACCENT GATE
STYLE #22
48" HIGH X 60" WIDE

Date September 2014 -DSD Drawing No.

Copyright 2014
 This drawing
 may not be altered
 without permission of
 Jerith Manufacturing Co., Inc. **LI48U2260AG**

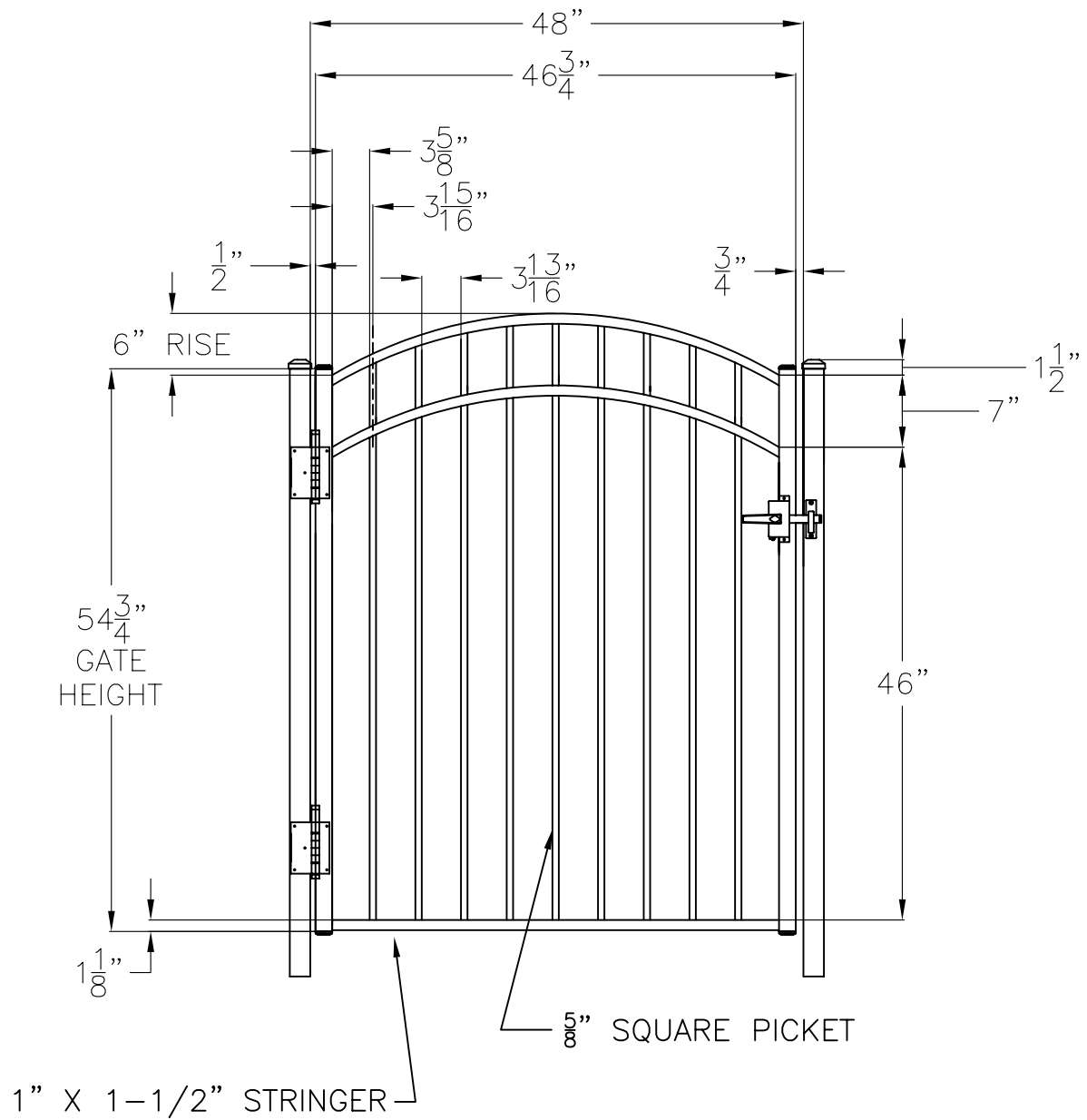


PICKET INFORMATION		
PICKET ID	PICKET LENGHTS	QTY.
A	55-1/2"	2
B	57-15/16"	2
C	59-5/16"	2
D	59-13/16"	1

Jerith[®]
 Manufacturing Co., Inc.
 Philadelphia, PA 19154
 (800)344-2242

Drawing
LIBERTY ACCENT GATE
STYLE #22
54" HIGH X 36" WIDE

Date June 2014- DSD Drawing No.
 Copyright 2014
 This drawing
 may not be altered
 without permission of
 Jerith Manufacturing Co., Inc. **LI54U2236AG**



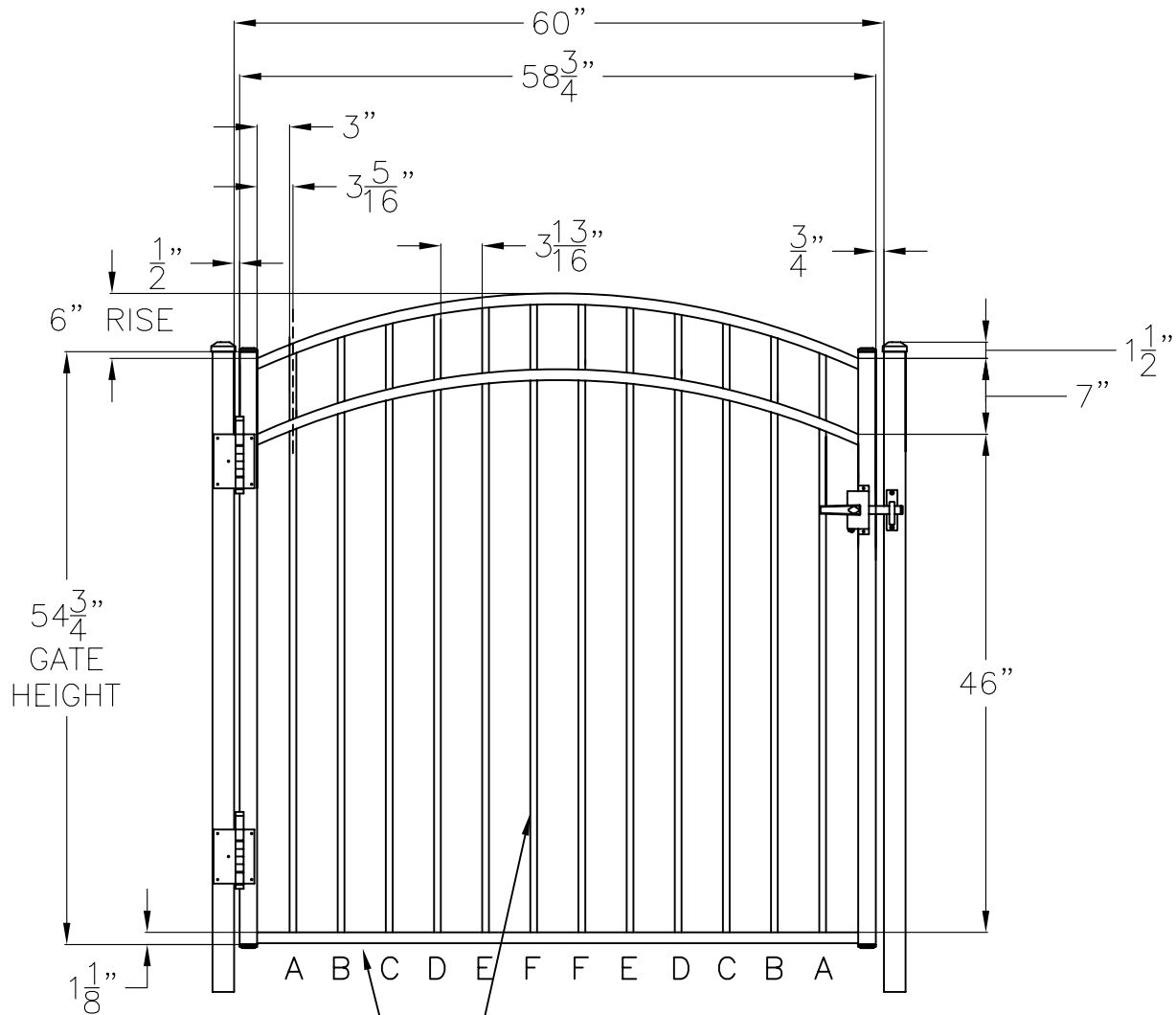
PICKET INFORMATION

PICKET ID	PICKET LENGHTS	QTY.
A	55-3/4"	2
B	57-9/16"	2
C	58-13/16"	2
D	59-9/16"	2
E	59-13/16"	1

Jerith[®]
 Manufacturing Co., Inc.
 Philadelphia, PA 19154
 (800)344-2242

Drawing
LIBERTY ACCENT GATE
STYLE #22
54" HIGH X 48" WIDE

Date **September 2004** Drawing No.
 Copyright 2004
 This drawing
 may not be altered
 without permission of
 Jerith Manufacturing Co., Inc. **LI54U2248AG**



PICKET INFORMATION		
PICKET ID	PICKET LENGHTS	QTY.
A	55-1/16"	2
B	56-11/16"	2
C	57-15/16"	2
D	58-13/16"	2
E	59-7/16"	2
F	59-3/4"	2

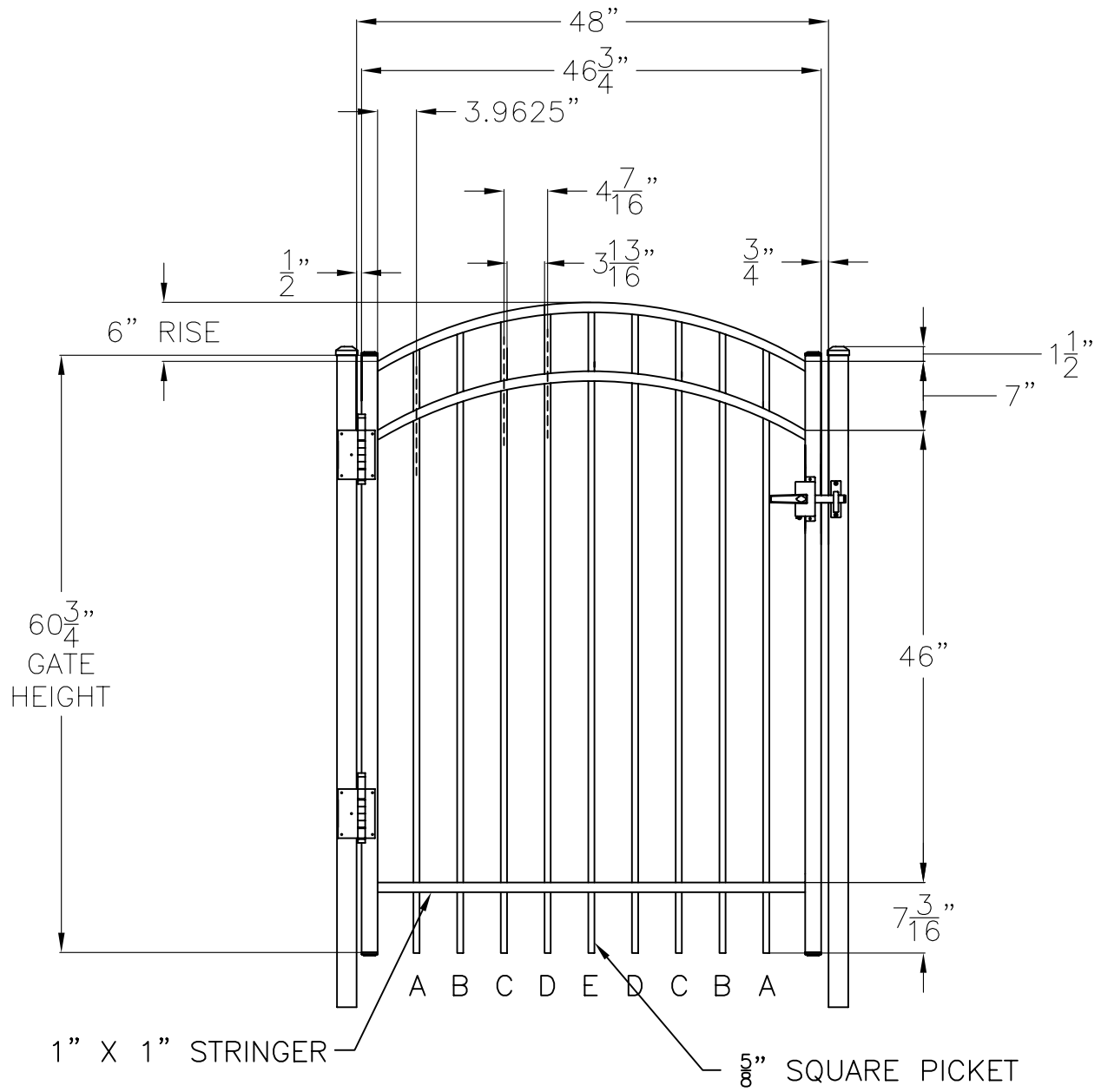
1" X 1-1/2" STRINGER

5/8" SQUARE PICKET

Jerith[®]
 Manufacturing Co., Inc.
 Philadelphia, PA 19154
 (800)344-2242

Drawing
LIBERTY ACCENT GATE
STYLE #22
54" HIGH X 60" WIDE

Date **September 2014** -DSD Drawing No.
 Copyright 2014
 This drawing
 may not be altered
 without permission of
 Jerith Manufacturing Co., Inc. **LI54U2260AG**



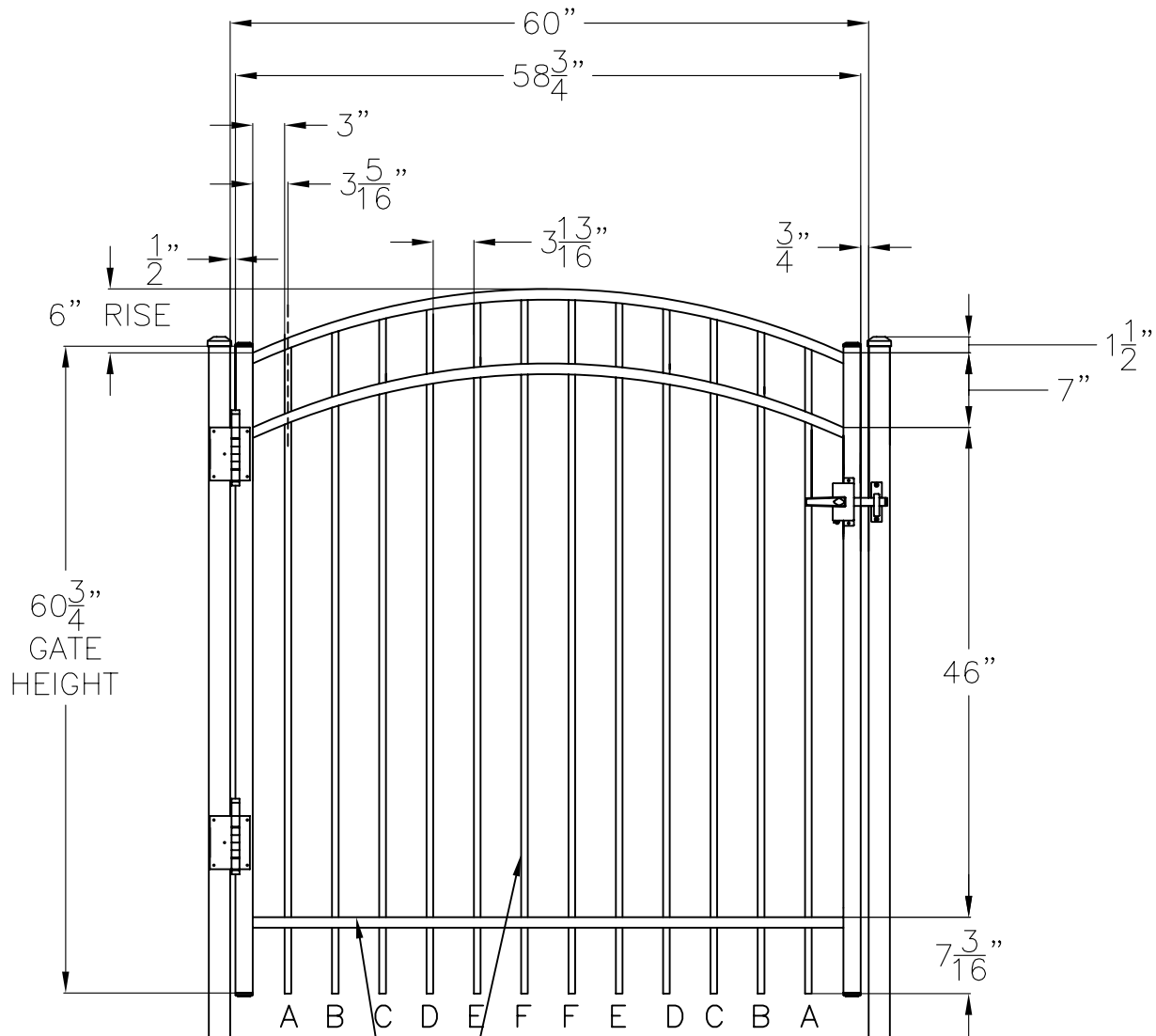
PICKET INFORMATION		
PICKET ID	PICKET LENGHTS	QTY.
A	61-15/16"	2
B	63-3/4"	2
C	65"	2
D	65-3/4"	2
E	66"	1

Jerith[®]
 Manufacturing Co., Inc.
 Philadelphia, PA 19154
 (800)344-2242

Drawing: **LIBERTY ACCENT GATE
 STYLE #22
 60" HIGH X 48" WIDE**

Date: **March 2015** Drawing No.: **LI60U2248AG**

Copyright 2015
 This drawing
 may not be altered
 without permission of
 Jerith Manufacturing Co., Inc.



SQUARE PICKET INFORMATION		
PICKET ID	PICKET LENGHTS	QTY.
A	61-1/4"	2
B	62-7/8"	2
C	64-1/8"	2
D	65"	2
E	65-5/8"	2
F	65-15/16"	2

1" X 1-1/2" STRINGER

5/8" SQUARE PICKET

Jerith[®]
 Manufacturing Co., Inc.
 Philadelphia, PA 19154
 (800)344-2242

Drawing
LIBERTY ACCENT GATE
STYLE #22
60" HIGH X 60" WIDE

Date May 2014 -DSD Drawing No.
 Copyright 2014
 This drawing
 may not be altered
 without permission of
 Jerith Manufacturing Co., Inc. **LI60U2260AG**