

1" X 1-1/2" STRINGER

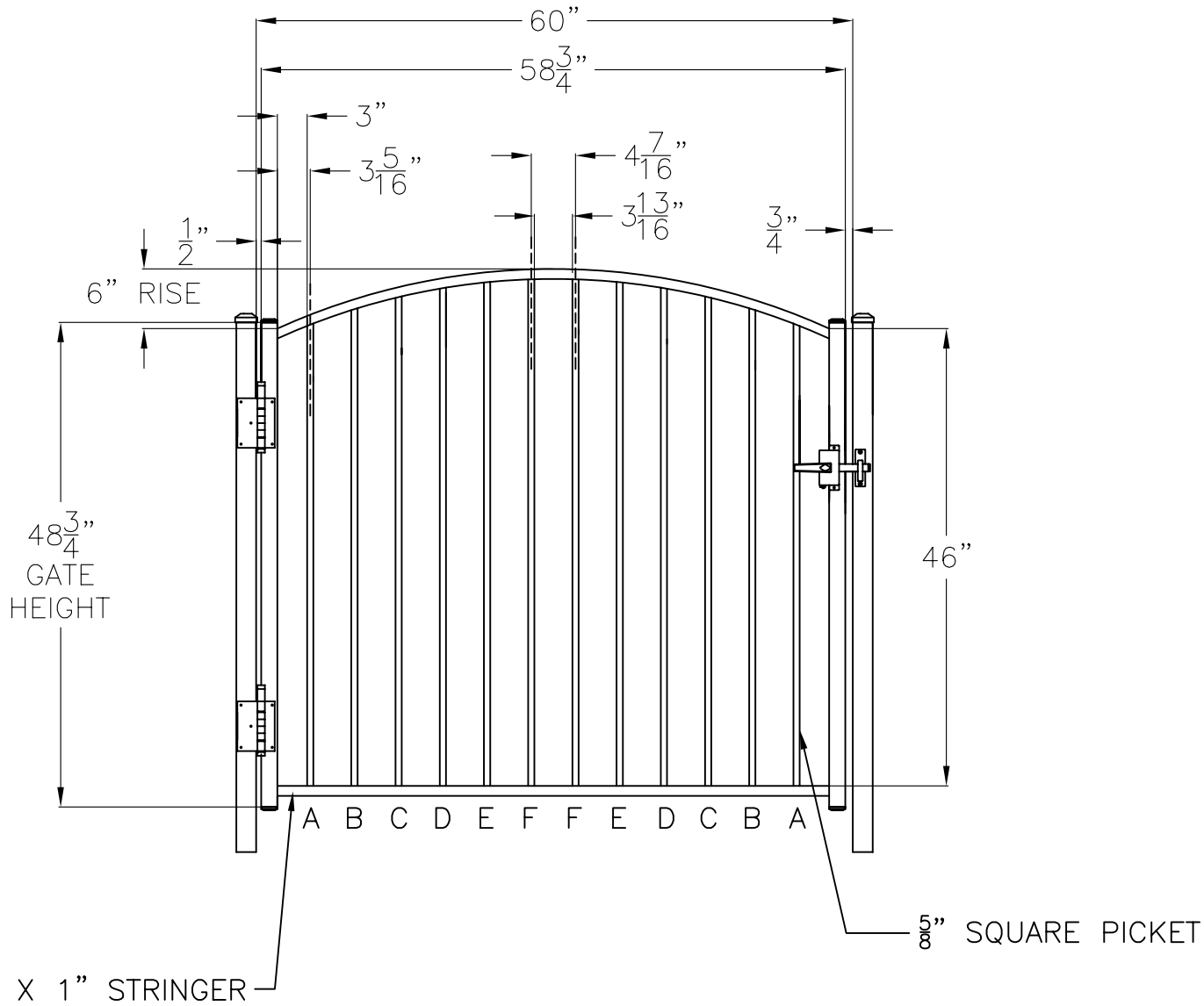
5/8" SQUARE PICKET

PICKET INFORMATION		
PICKET ID	PICKET LENGHTS	QTY.
A	48-3/4"	2
B	50-9/16"	2
C	51-13/16"	2
D	52-9/16"	2
E	52-13/16"	1

Jerith[®]
 Manufacturing Co., Inc.
 Philadelphia, PA 19154
 (800)344-2242

Drawing
LIBERTY ACCENT GATE
STYLE #00
48" HIGH X 48" WIDE

Date **October 2014** Drawing No.
 Copyright 2014
 This drawing
 may not be altered
 without permission of
 Jerith Manufacturing Co., Inc. **LI48U0048AG**



PICKET INFORMATION

PICKET ID	PICKET LENGHTS	QTY.
A	48-1/16"	2
B	49-11/16"	2
C	50-15/16"	2
D	51-13/16"	2
E	52-7/16"	2
F	52-3/4"	2

Jerith[®]
 Manufacturing Co., Inc.
 Philadelphia, PA 19154
 (800)344-2242

LIBERTY ACCENT GATE
STYLE #00
48" HIGH X 60" WIDE

Date **October 2014 -DSD** Drawing No.

Copyright 2014
 This drawing
 may not be altered
 without permission of
 Jerith Manufacturing Co., Inc. **LI48U0060AG**