

**SQUARE PICKET INFORMATION**

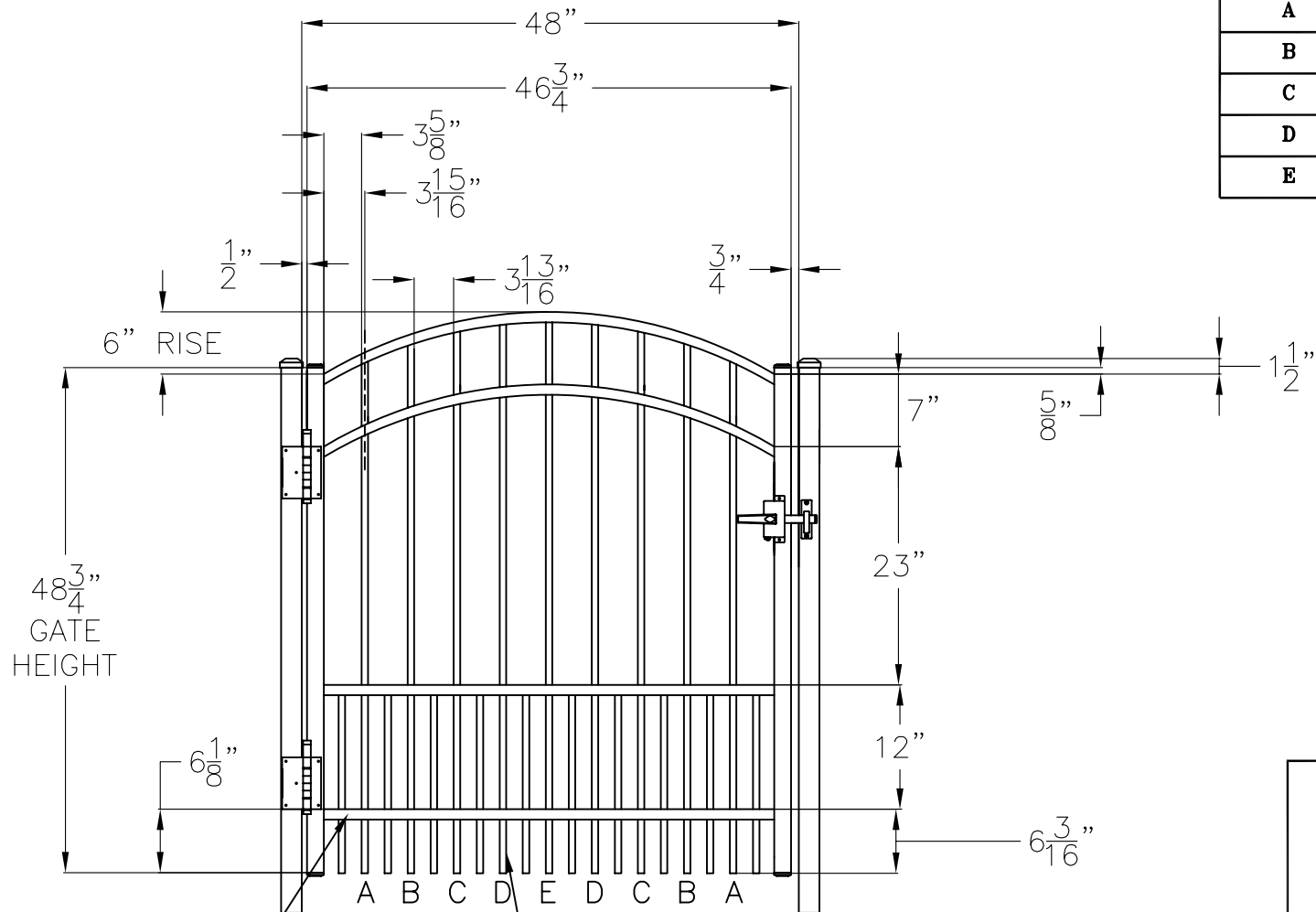
PICKET ID	PICKET LENGHTS	QTY.
A	49-11/16"	2
B	52-1/8"	2
C	53-1/2"	2
D	54"	1

*Jerith*<sup>®</sup>  
 Manufacturing Co., Inc.  
 Philadelphia, PA 19154  
 (800)344-2242

Drawing  
**RESIDENTIAL ACCENT GATE**  
**STYLE #PUP**  
**48" HIGH X 36" WIDE**

Date June 2015- DSD Drawing No.

Copyright 2015  
 This drawing  
 may not be altered  
 without permission of  
 Jerith Manufacturing Co., Inc. **RS48UPUP36AG**



PICKET INFORMATION		
PICKET ID	PICKET LENGHTS	QTY.
A	49-15/16"	2
B	51-3/4"	2
C	53"	2
D	53-3/4"	2
E	54"	1

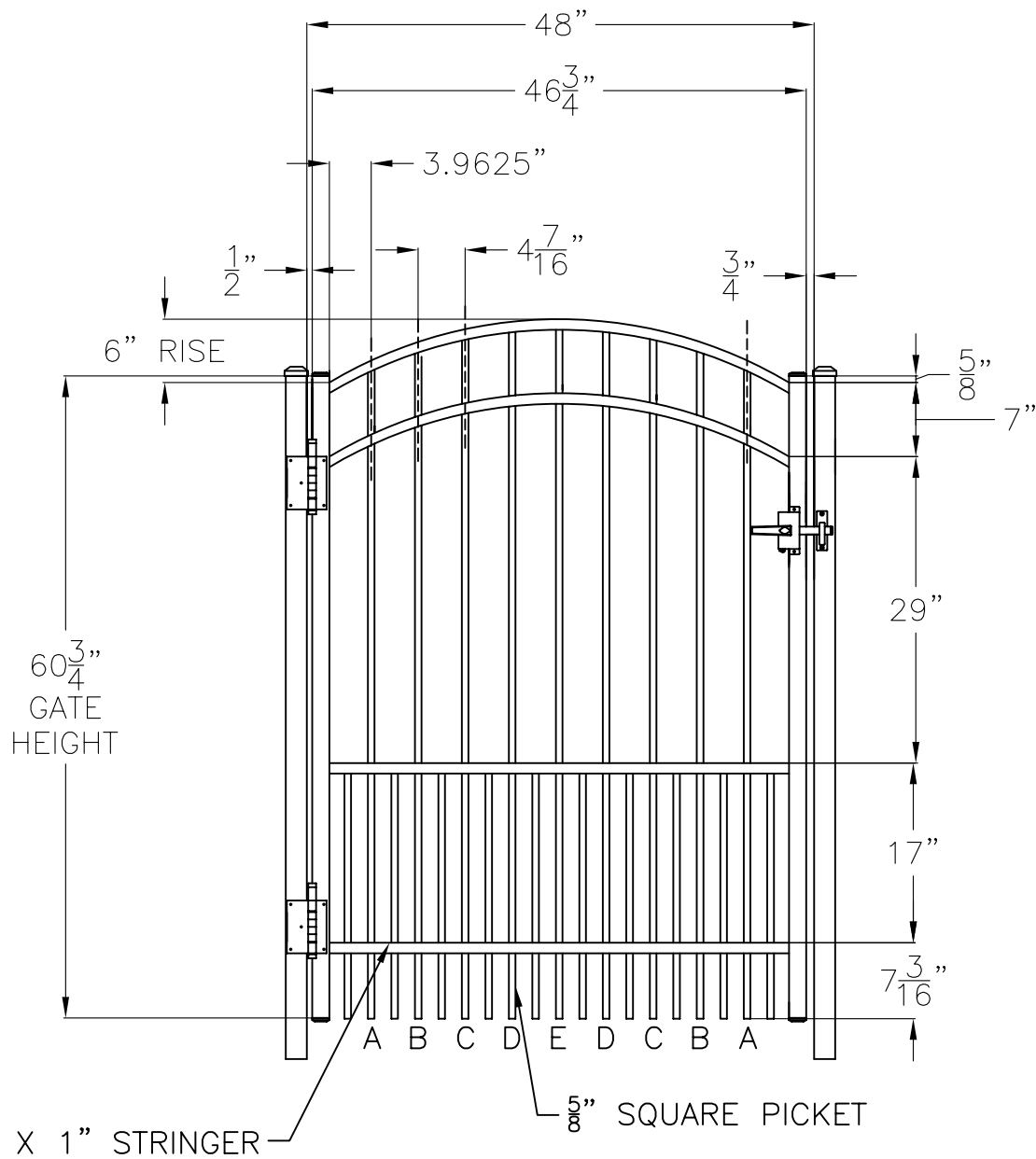
1" X 1-1/2" STRINGER

5/8" SQUARE PICKET

*Jerith*<sup>®</sup>  
 Manufacturing Co., Inc.  
 Philadelphia, PA 19154  
 (800)344-2242

Drawing  
**RESIDENTIAL ACCENT GATE**  
**STYLE #202 PUPPY**  
**48" HIGH X 48" WIDE**

Date **April 2015** Drawing No.  
 Copyright 2015  
 This drawing  
 may not be altered  
 without permission of  
 Jerith Manufacturing Co., Inc. **RS48UPUP48AG**



**SQUARE PICKET INFORMATION**

PICKET ID	PICKET LENGHTS	QTY.
A	61-15/16"	2
B	63-3/4"	2
C	65"	2
D	65-3/4"	2
E	66"	1

*Jerith*<sup>®</sup>  
 Manufacturing Co., Inc.  
 Philadelphia, PA 19154  
 (800)344-2242

Drawing  
**RESIDENTIAL ACCENT GATE**  
**STYLE: PUPPY**  
**60" HIGH X 48" WIDE**

Date **March 2015** Drawing No.  
 Copyright 2015  
 This drawing  
 may not be altered  
 without permission of  
 Jerith Manufacturing Co., Inc. **RS60UPUP48AG**