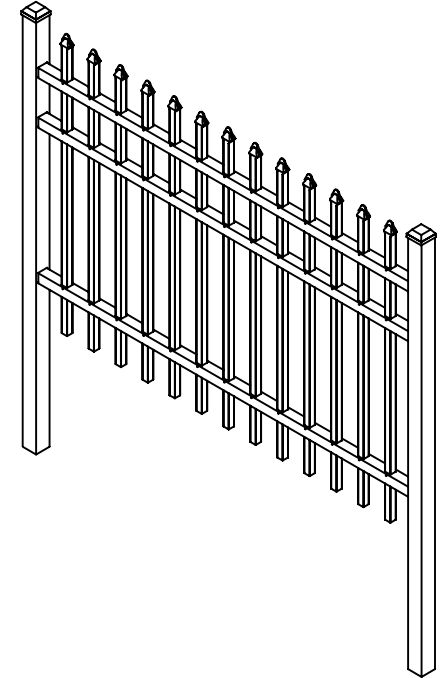
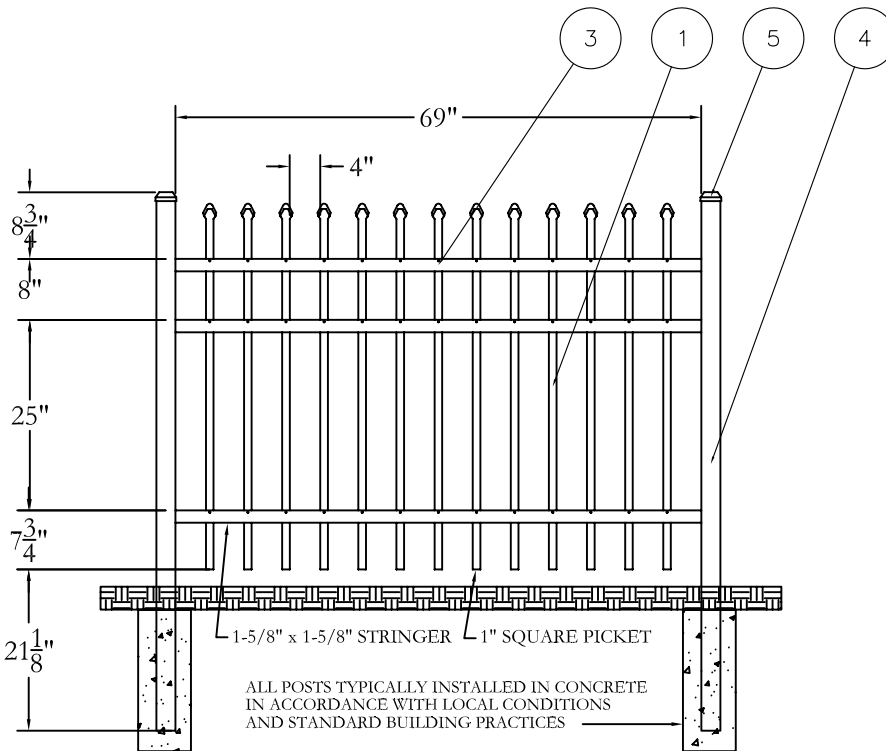


FENCE PARTS			
Name	Qty	Item	
1101-48 PICKET	13	1	
70-1/2" - 13 HOLE IND. STRINGER	3	3	
2-1/2" POST	2	4	
2-1/2" ALUMINUM POST CAP	2	5	

ZONE	REV	DESCRIPTION	DATE	APPROVED
-	NC	INITIAL RELEASE		



Jerith[®]
 Manufacturing Co., Inc.
 Philadelphia, PA 19154
 (800)344-2242

DRAWING:
INDUSTRIAL FENCE
STYLE #101 - 48" HEIGHT

© 2005. This drawing may not be altered or reproduced without the permission of Jerith Manufacturing Co., Inc.

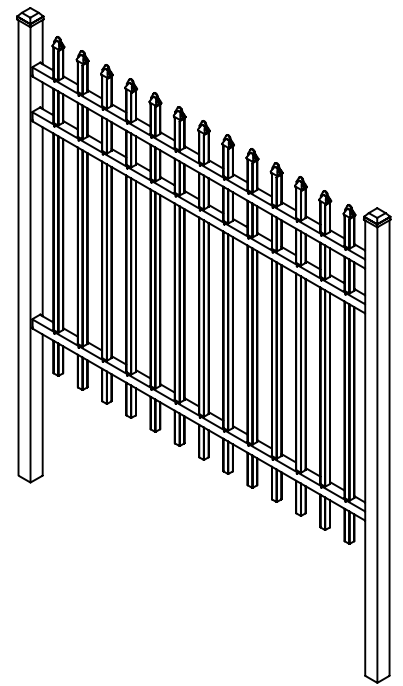
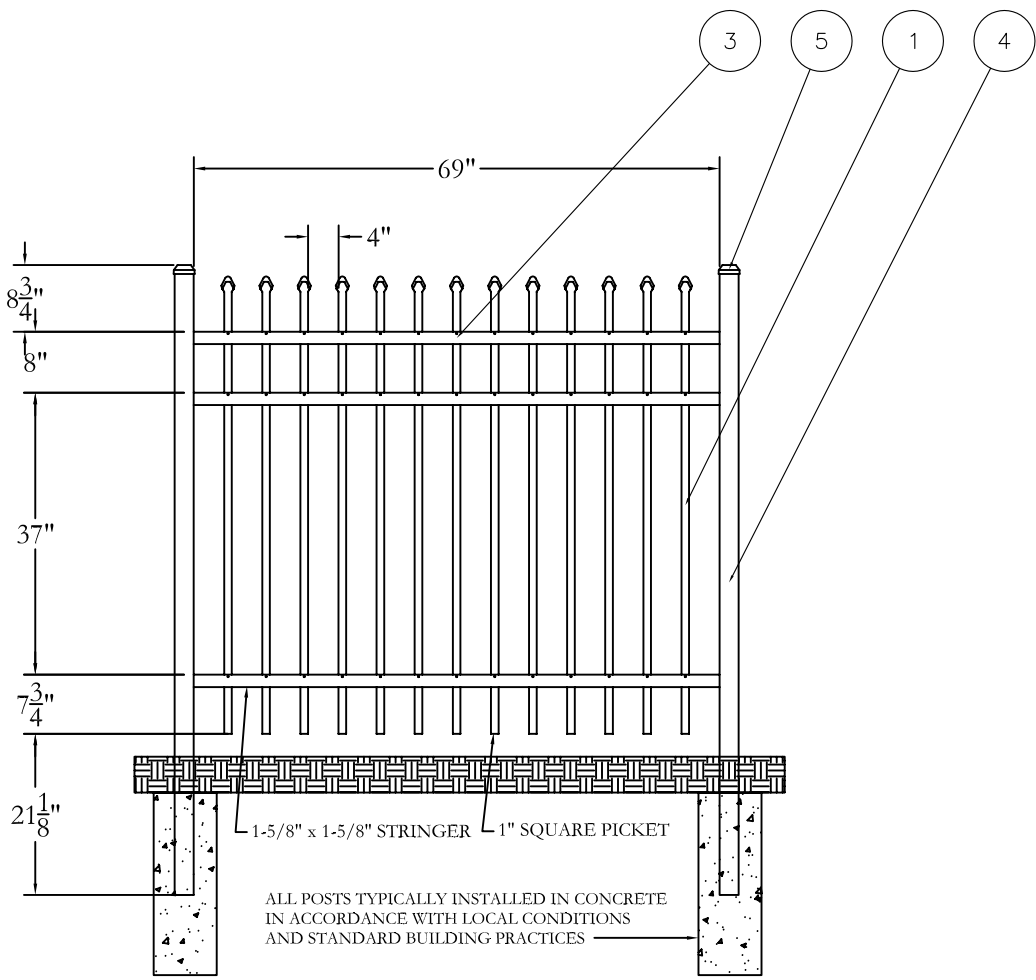
SIZE D	DWG NO. IN48U101SN	REV NC
SCALE	DATE 1-1-04	SHEET 1 OF 1

FENCE PARTS			
Name	Qty	Item	
1101-60 PICKET	13	1	
70-1/2" - 13 HOLE IND. STRINGER	3	3	
2-1/2" POST	2	4	
2-1/2" ALUMINUM POST CAP	2	5	

ZONE	REV	DESCRIPTION	DATE	APPROVED
-	NC	INITIAL RELEASE		

D
C
B
A

D
C
B
A



Jerith[®]
 Manufacturing Co., Inc.
 Philadelphia, PA 19154
 (800)344-2242

DRAWING:
**INDUSTRIAL FENCE
 STYLE #101 - 60" HEIGHT**

© 2005. This drawing may not be altered or reproduced without the permission of Jerith Manufacturing Co., Inc.

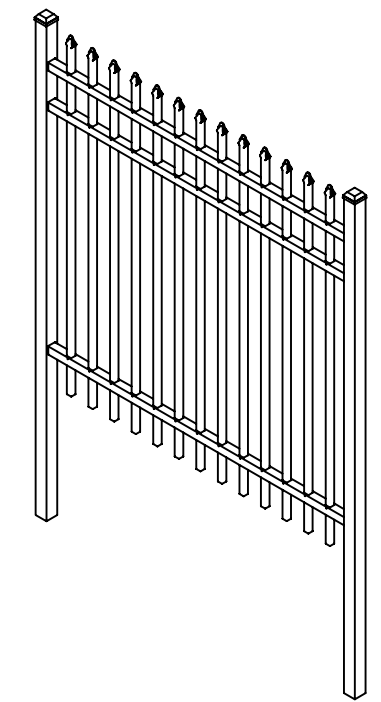
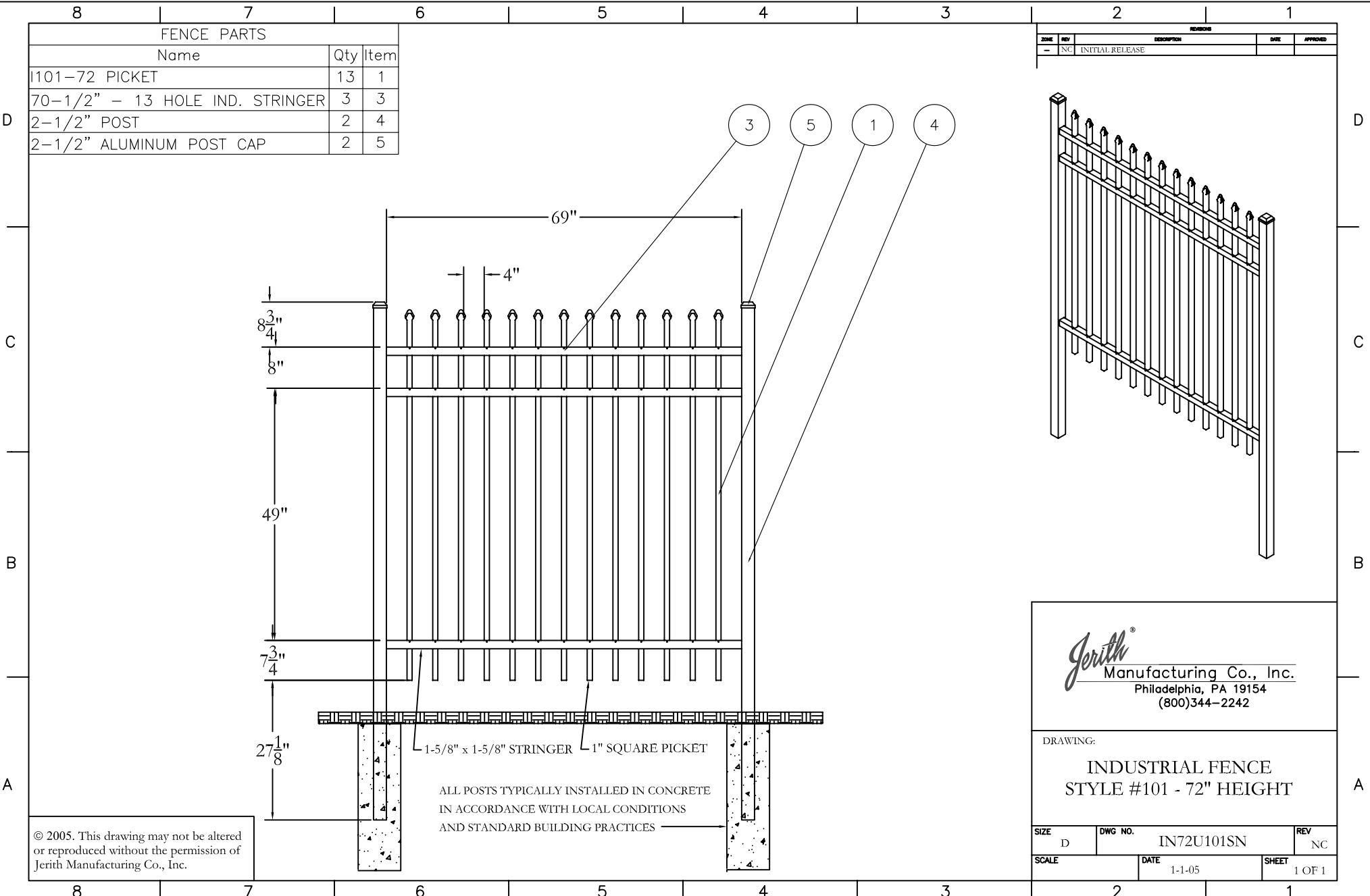
SIZE D	DWG NO. IN60U101SN	REV NC
SCALE	DATE 1-1-05	SHEET 1 OF 1

8 7 6 5 4 3 2 1

8 7 6 5 4 3 2 1

FENCE PARTS			
Name	Qty	Item	
1101-72 PICKET	13	1	
70-1/2" - 13 HOLE IND. STRINGER	3	3	
2-1/2" POST	2	4	
2-1/2" ALUMINUM POST CAP	2	5	

ZONE	REV	DESCRIPTION	DATE	APPROVED
-	NC	INITIAL RELEASE		



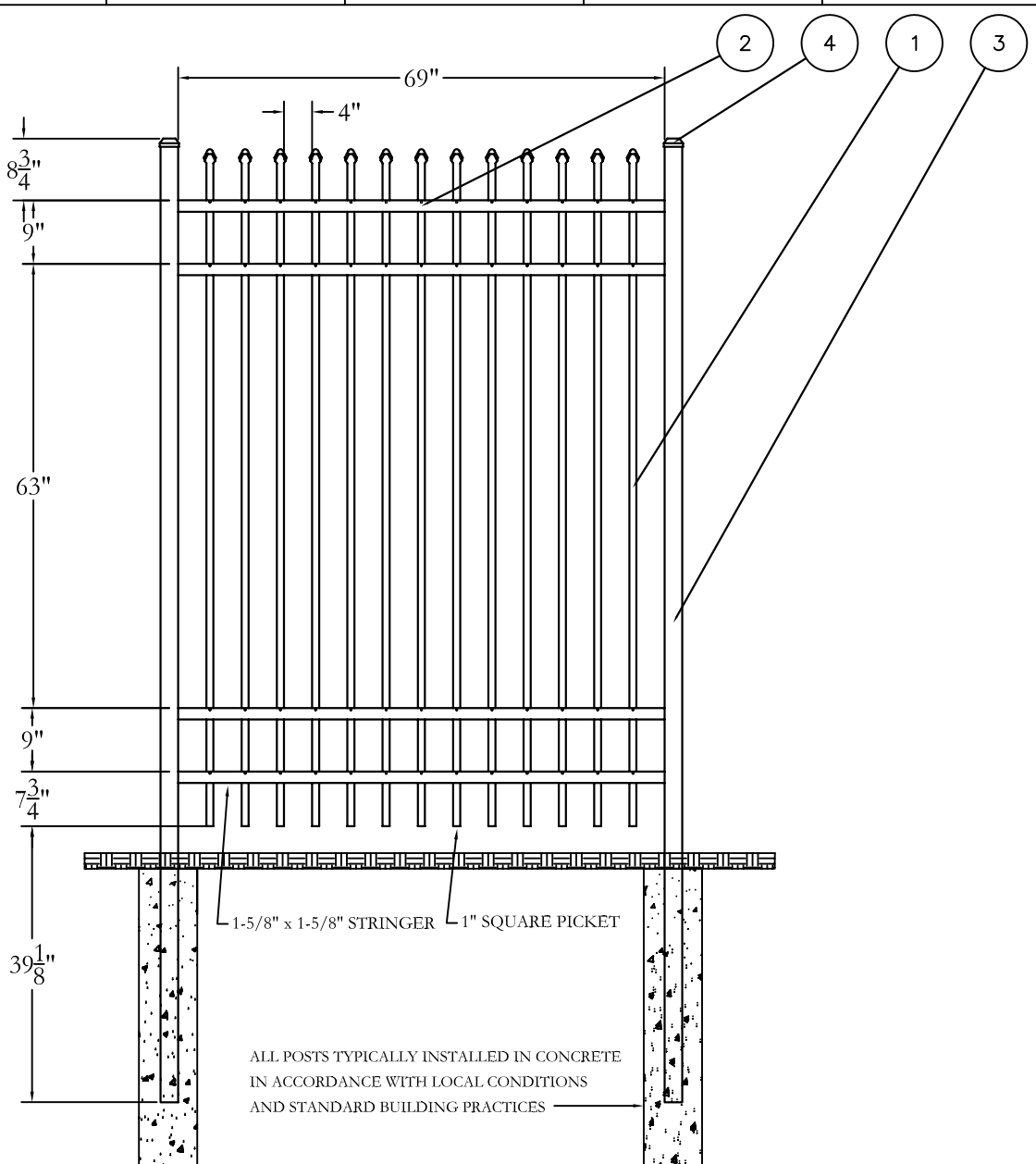
Jerith[®]
 Manufacturing Co., Inc.
 Philadelphia, PA 19154
 (800)344-2242

DRAWING:
INDUSTRIAL FENCE
STYLE #101 - 72" HEIGHT

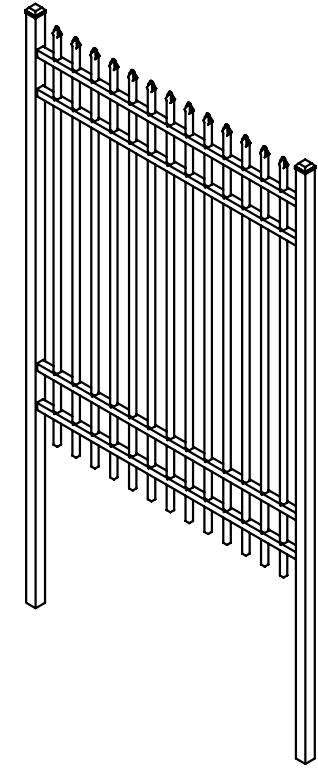
© 2005. This drawing may not be altered or reproduced without the permission of Jerith Manufacturing Co., Inc.

SIZE D	DWG NO. IN72U101SN	REV NC
SCALE	DATE 1-1-05	SHEET 1 OF 1

FENCE PARTS		Qty	Item
Name			
1101-96 PICKET		13	1
70-1/2" - 13 HOLE IND. STRINGER		4	2
2-1/2" POST		2	3
2-1/2" ALUMINIUM POST CAP		2	4



ZONE	REV	DESCRIPTION	DATE	APPROVED
-	NC	INITIAL RELEASE		



Jerith[®]
 Manufacturing Co., Inc.
 Philadelphia, PA 19154
 (800)344-2242

DRAWING:
**INDUSTRIAL FENCE
 STYLE #101 - 96" HEIGHT**

SIZE D	DWG NO. IN96U101SN	REV NC
SCALE	DATE 1-1-05	SHEET 1 OF 1

© 2005. This drawing may not be altered or reproduced without the permission of Jerith Manufacturing Co., Inc.