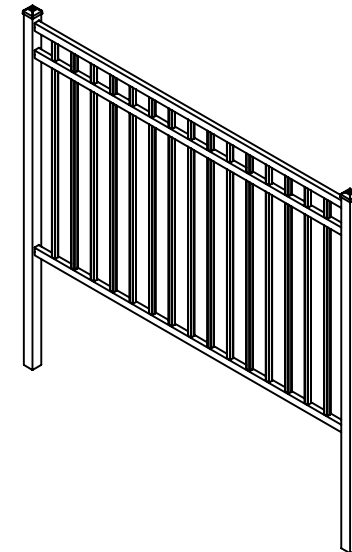
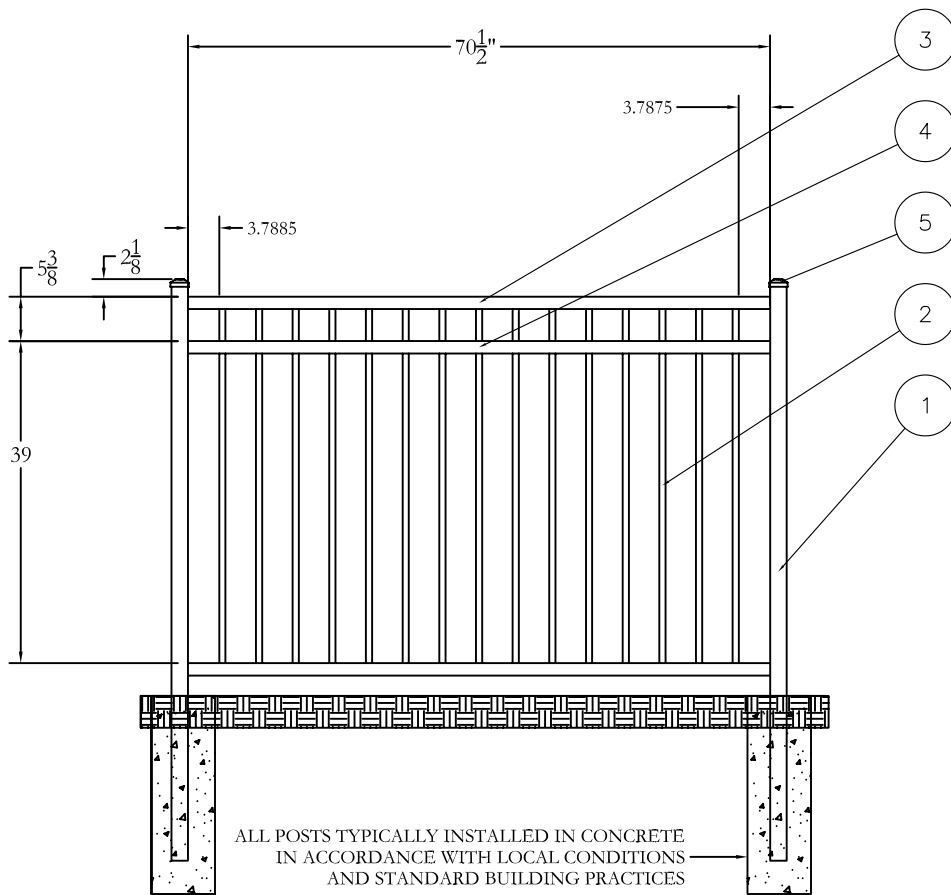


Parts List		
ITEM	QTY	DESCRIPTION
1	2	70UWINE 70" POST
2	15	48UWINP 48" PICKET
3	1	15SUPH 15 HOLE HEADER
4	2	15SUPS 15 HOLE STRINGER
5	2	UCP2 POST CAP

REVISIONS				
ZONE	REV	DESCRIPTION	DATE	APPROVED
		INITIAL RELEASE		
	A	ADD 15TH PICKET, CHG STRINGER MATERIAL, CHG STRINGER LENGTH, REMOVE SCREWS, UPDATE PARTS LIST	7-29-2010	SR
	B	UPDATED PARTS LIST	04/06/2015	DSD



Jerith[®]
 Manufacturing Co., Inc.
 Philadelphia, PA 19154
 (800)344-2242

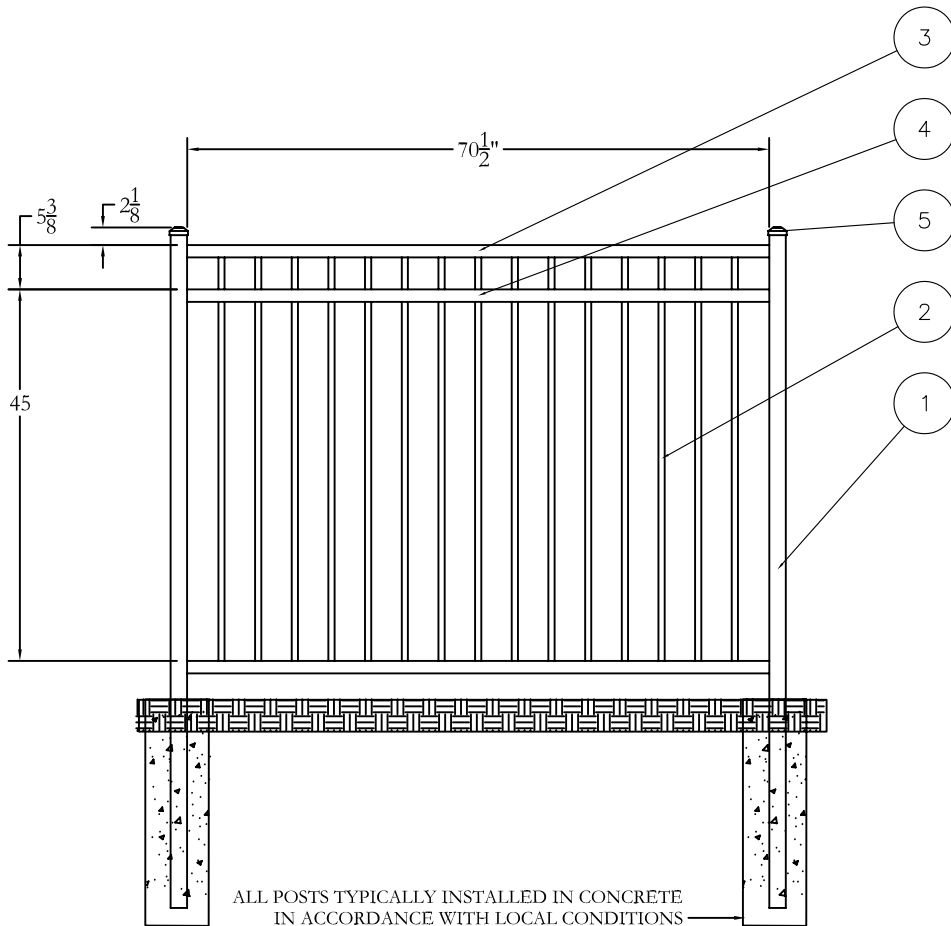
DRAWING:
WINDSOR FENCE
48" HEIGHT

SIZE D	DWG NO. RG48UWSN	REV B
SCALE	DATE 7-26-2010	SHEET 1 OF 1

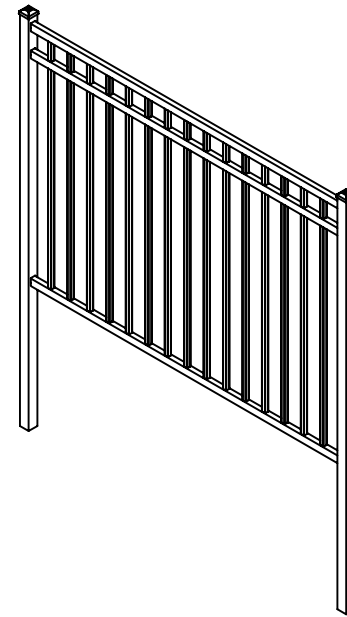
© 2005. This drawing may not be altered or reproduced without the permission of Jerith Manufacturing Co., Inc.

Parts List		
ITEM	QTY	DESCRIPTION
1	2	82" POST
2	15	54" PICKET
3	1	15 HOLE HEADER
4	2	15 HOLE STRINGER
5	2	POST CAP

REVISIONS				
ZONE	REV	DESCRIPTION	DATE	APPROVED
		INITIAL RELEASE		
	A	ADD 15TH PICKET, CHG STRINGER MATERIAL, CHG STRINGER LENGTH, REMOVE SCREWS, UPDATE PARTS LIST	7-29-2010	SR



ALL POSTS TYPICALLY INSTALLED IN CONCRETE IN ACCORDANCE WITH LOCAL CONDITIONS AND STANDARD BUILDING PRACTICES



Jerith[®]
 Manufacturing Co., Inc.
 Philadelphia, PA 19154
 (800)344-2242

DRAWING:

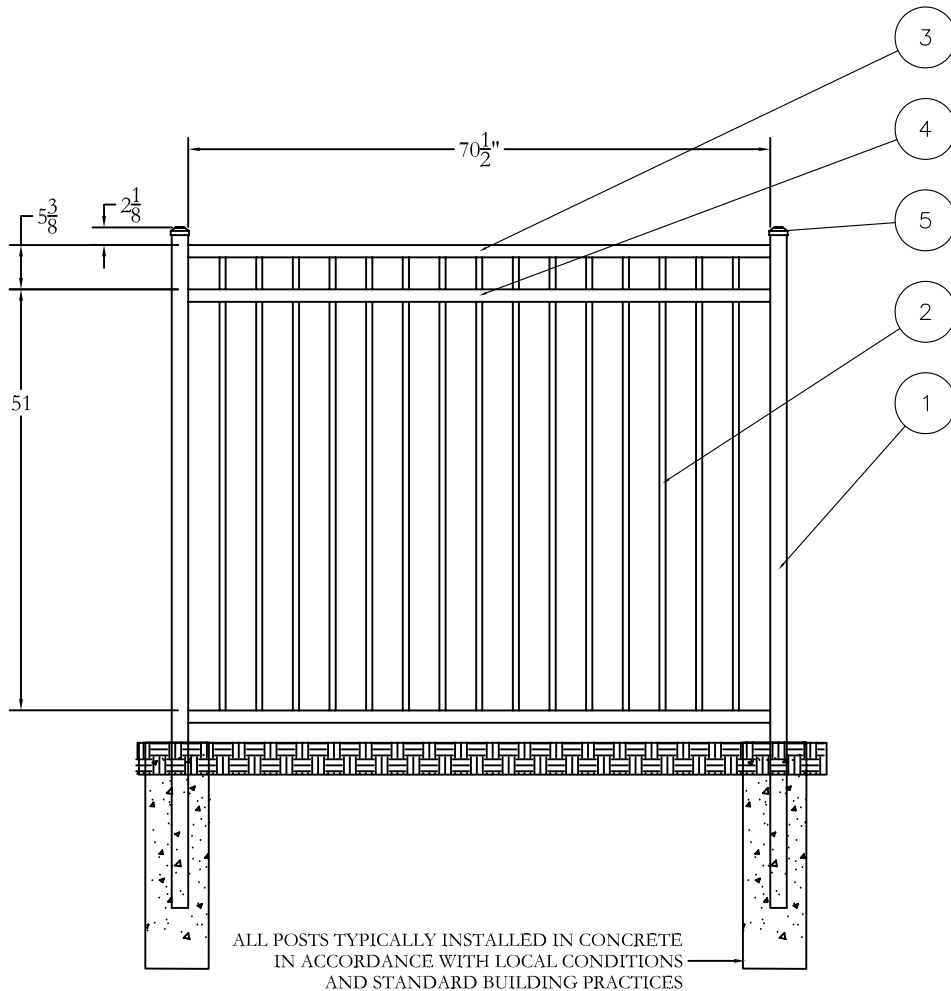
WINDSOR FENCE
 54" HEIGHT

SIZE D	DWG NO. RG54UWSN	REV NC
SCALE	DATE 7-26-2010	SHEET 1 OF 1

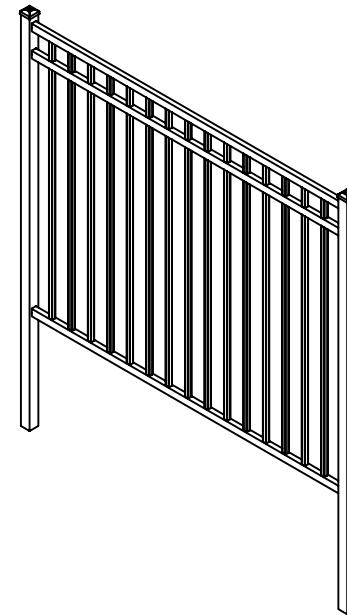
© 2005. This drawing may not be altered or reproduced without the permission of Jerith Manufacturing Co., Inc.

Parts List		
ITEM	QTY	DESCRIPTION
1	2	82" POST
2	15	60" PICKET
3	1	15 HOLE HEADER
4	2	15 HOLE STRINGER
5	2	POST CAP

REVISIONS				
ZONE	REV	DESCRIPTION	DATE	APPROVED
		INITIAL RELEASE		
	A	ADD 15TH PICKET, CHG STRINGER MATERIAL, CHG STRINGER LENGTH, REMOVE SCREWS, UPDATE PARTS LIST	7-29-2010	SR



ALL POSTS TYPICALLY INSTALLED IN CONCRETE IN ACCORDANCE WITH LOCAL CONDITIONS AND STANDARD BUILDING PRACTICES



Jerith[®]
 Manufacturing Co., Inc.
 Philadelphia, PA 19154
 (800)344-2242

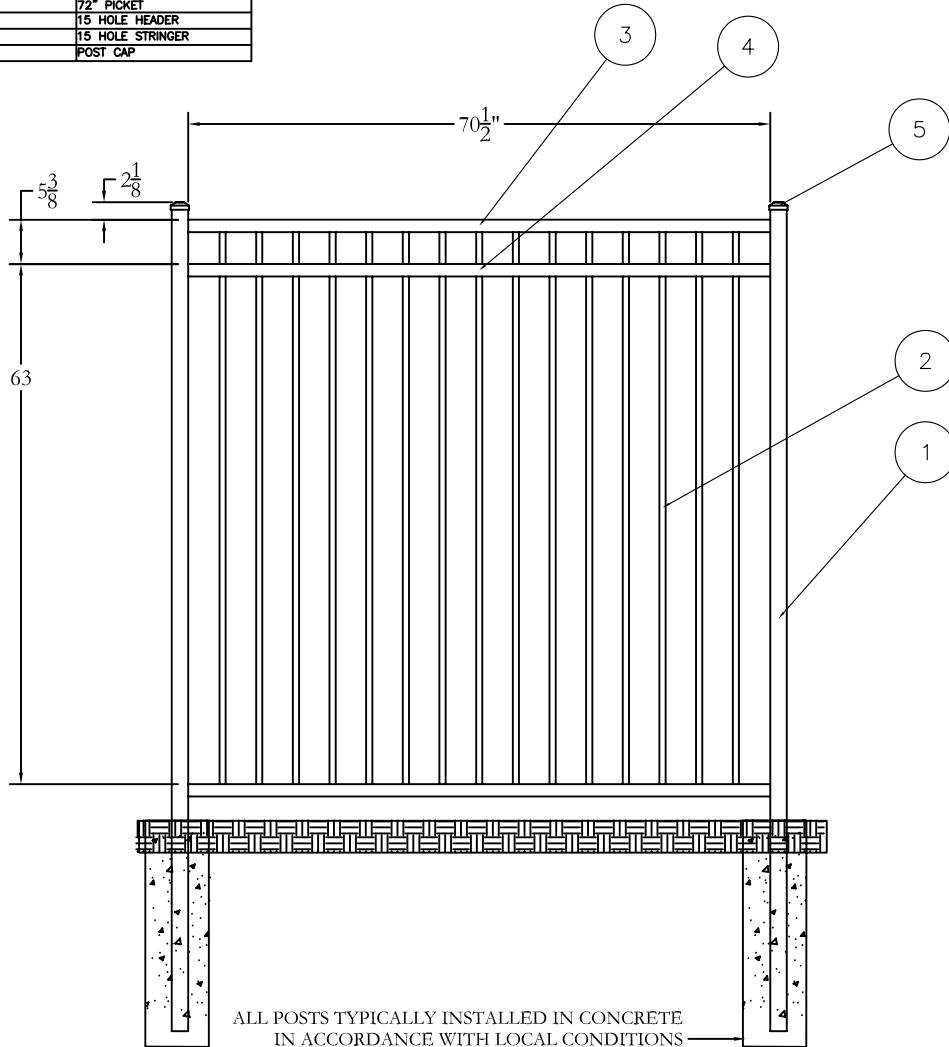
DRAWING:
WINDSOR FENCE
60" HEIGHT

SIZE D	DWG NO. RG60UWSN	REV NC
SCALE	DATE 7-26-2010	SHEET 1 OF 1

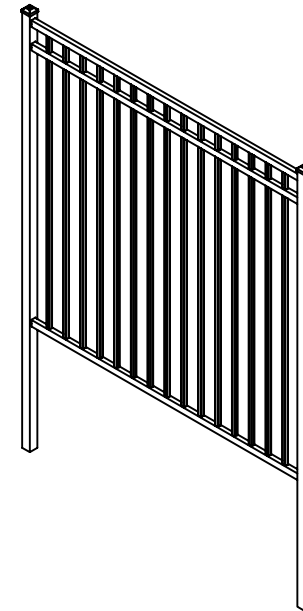
© 2005. This drawing may not be altered or reproduced without the permission of Jerith Manufacturing Co., Inc.

Parts List		
ITEM	QTY	DESCRIPTION
1	2	100WINE 100" POST
2	15	72UWINP 72" PICKET
3	1	15UPH 15" HOLE HEADER
4	2	15UPS 15" HOLE STRINGER
5	2	UCP2 POST CAP

REVISIONS				
ZONE	REV	DESCRIPTION	DATE	APPROVED
		INITIAL RELEASE		
	A	ADD 15TH PICKET, CHG STRINGER MATERIAL, CHG STRINGER LENGTH, REMOVE SCREWS, UPDATE PARTS LIST	7-29-2010	SR



ALL POSTS TYPICALLY INSTALLED IN CONCRETE IN ACCORDANCE WITH LOCAL CONDITIONS AND STANDARD BUILDING PRACTICES



Jerith[®]
 Manufacturing Co., Inc.
 Philadelphia, PA 19154
 (800)344-2242

DRAWING:

WINDSOR FENCE
 72" HEIGHT

SIZE D	DWG NO. RG72UWSN	REV NC
SCALE	DATE 7-26-2010	SHEET 1 OF 1

© 2005. This drawing may not be altered or reproduced without the permission of Jerith Manufacturing Co., Inc.