

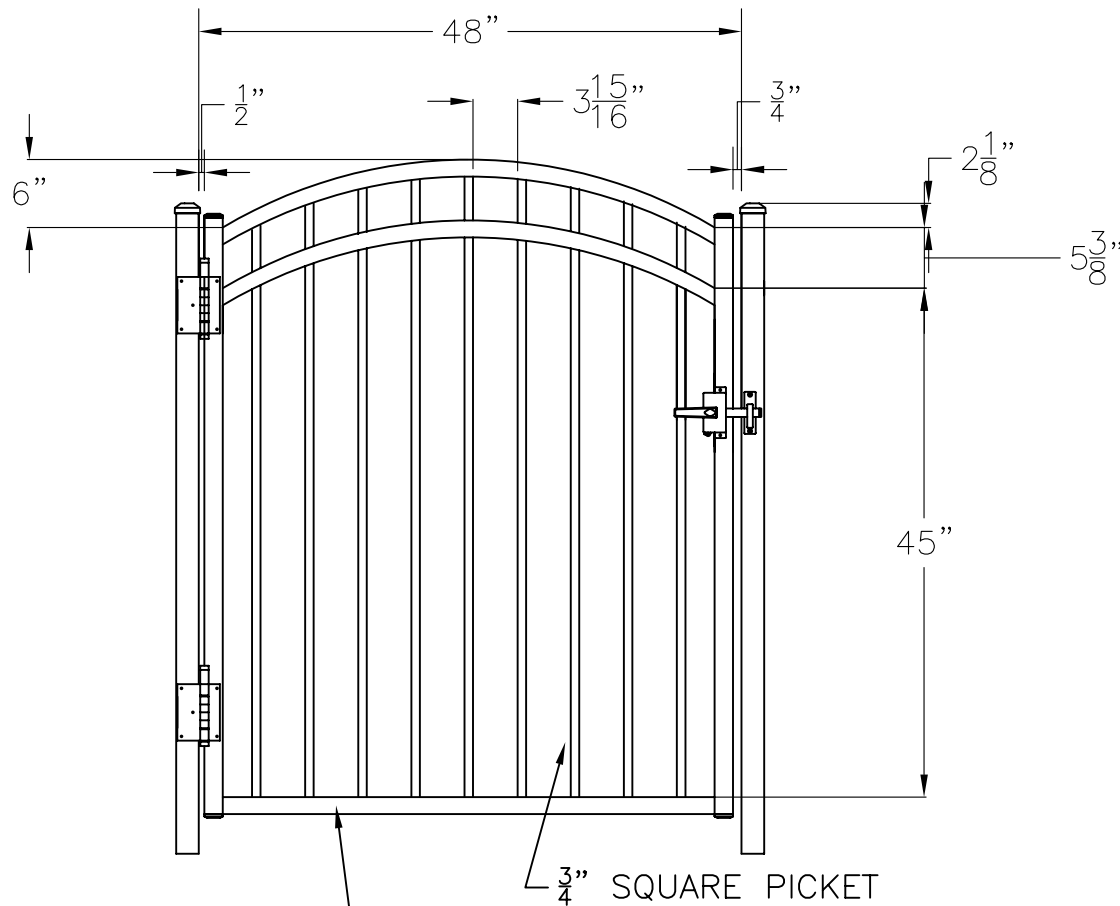
1-1/2" X 1-1/2" STRINGER

3/4" SQUARE PICKET

Jerith[®]
 Manufacturing Co., Inc.
 Philadelphia, PA 19154
 (800)344-2242

Drawing
POOL ACCENT GATE
STYLE WINDSOR
48" HIGH X 48" WIDE

Date **September 2004** Drawing No.
 Copyright 2004
 This drawing
 may not be altered
 without permission of
 Jerith Manufacturing Co., Inc. **WIN48U48**



1-1/2" X 1-1/2" STRINGER

Jerith[®]
 Manufacturing Co., Inc.
 Philadelphia, PA 19154
 (800)344-2242

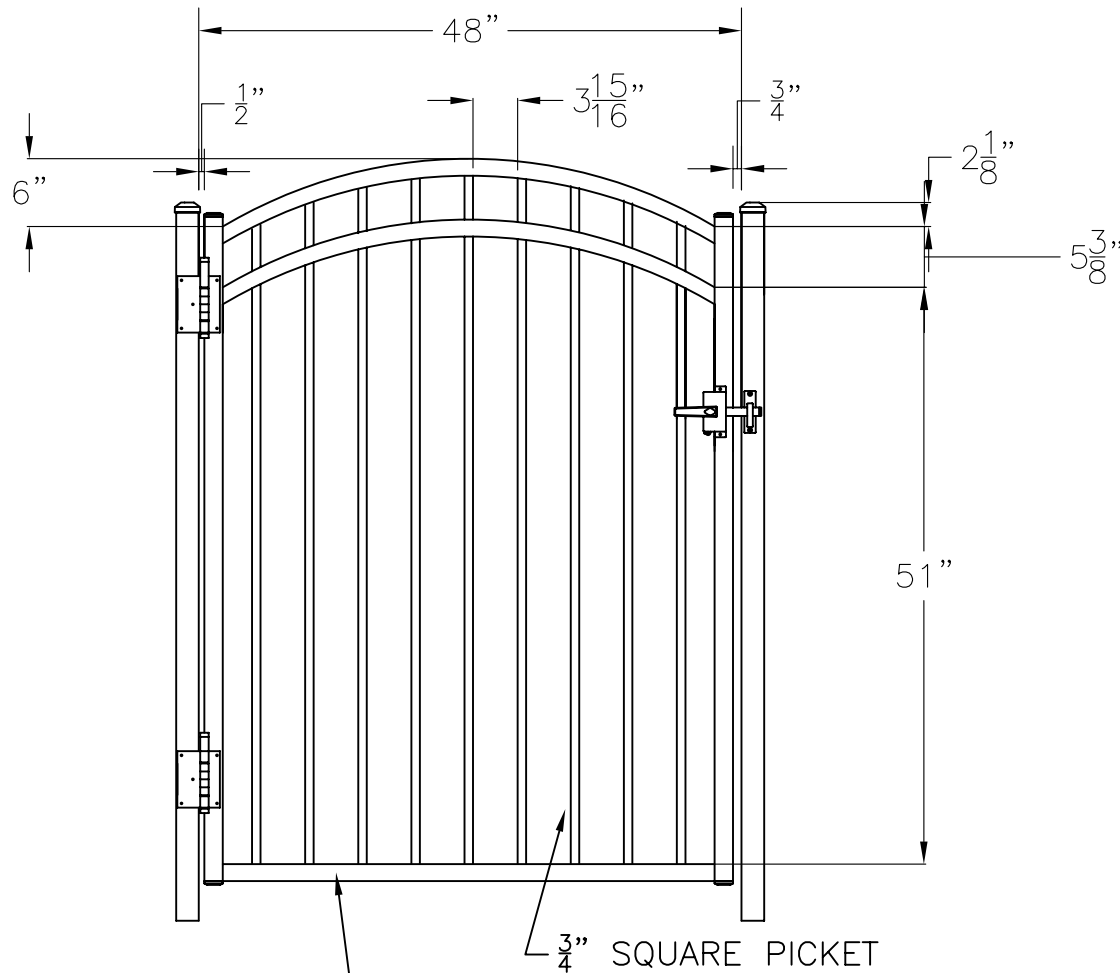
Drawing
POOL ACCENT GATE
STYLE WINDSOR
54" HIGH X 48" WIDE

Date **September 2004**

Drawing No.

Copyright 2004
 This drawing
 may not be altered
 without permission of
 Jerith Manufacturing Co., Inc.

WIN54U48



Jerith[®]
 Manufacturing Co., Inc.
 Philadelphia, PA 19154
 (800)344-2242

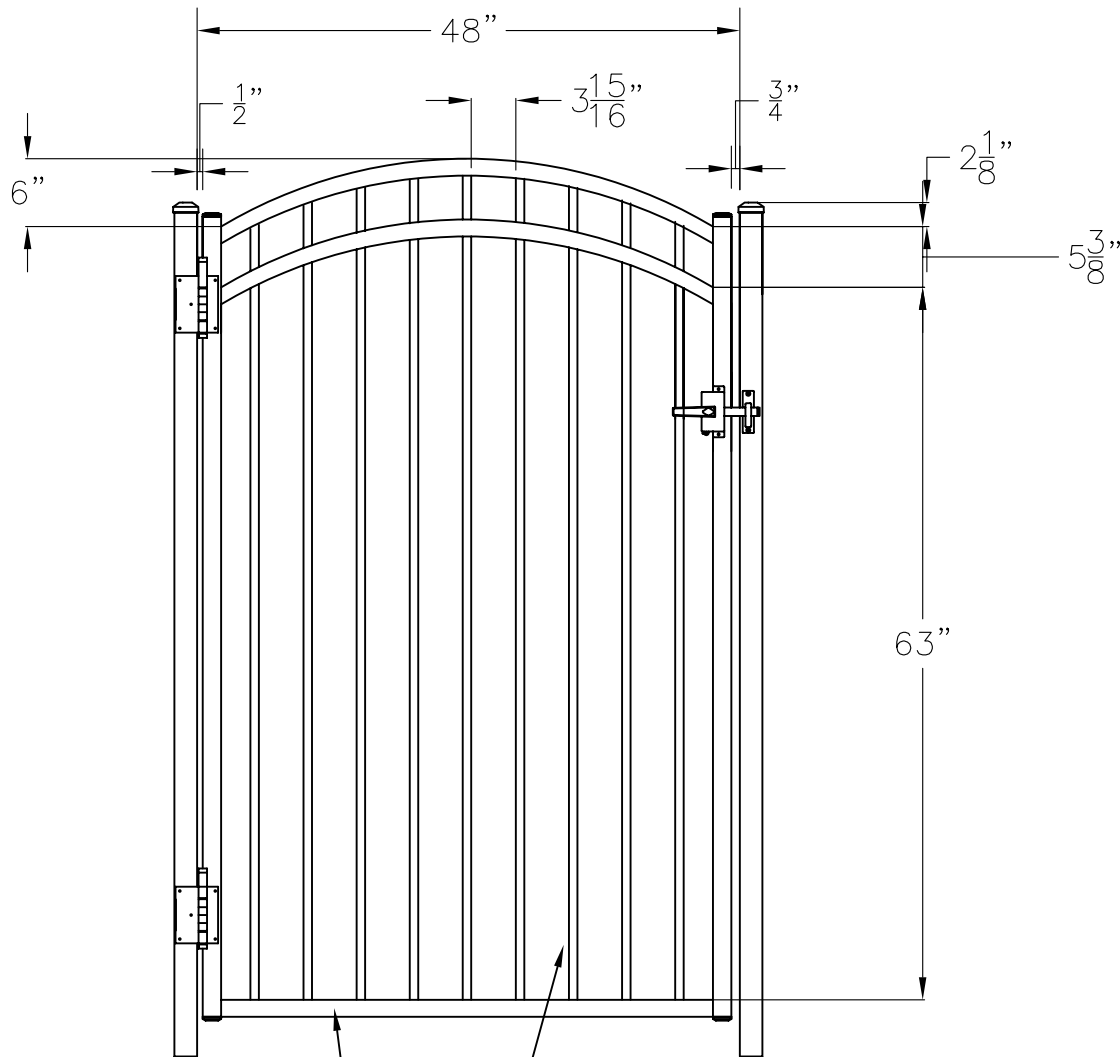
Drawing
POOL ACCENT GATE
STYLE WINDSOR
60" HIGH X 48" WIDE

Date **September 2004**

Drawing No.

Copyright 2004
 This drawing
 may not be altered
 without permission of
 Jerith Manufacturing Co., Inc.

WIN60U48



1-1/2" X 1-1/2" STRINGER

3/4" SQUARE PICKET

Jerith[®]
 Manufacturing Co., Inc.
 Philadelphia, PA 19154
 (800)344-2242

Drawing
POOL ACCENT GATE
STYLE WINDSOR
72" HIGH X 48" WIDE

Date **September 2004**

Drawing No.

Copyright 2004
 This drawing
 may not be altered
 without permission of
 Jerith Manufacturing Co., Inc.

WIN72U48