

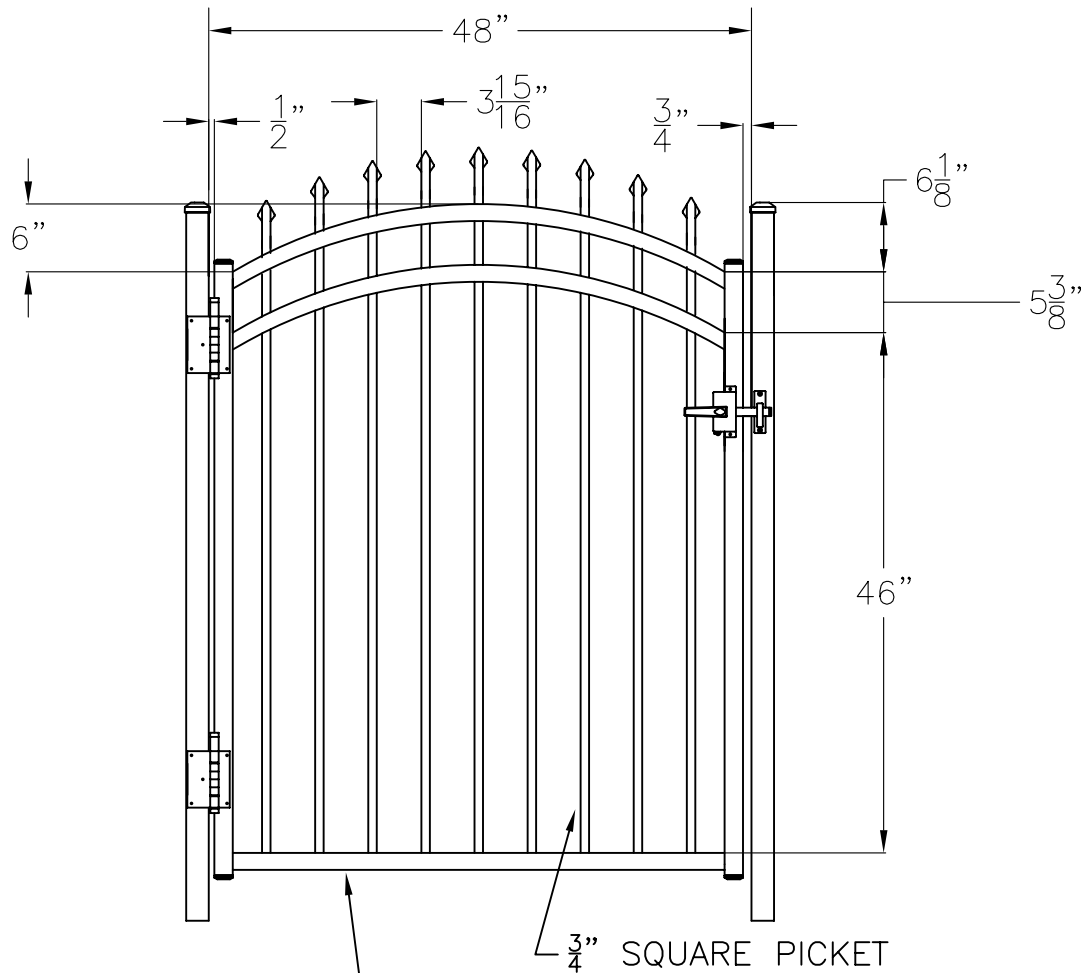
1-1/2" X 1-1/2" STRINGER

3/4" SQUARE PICKET

*Jerith*<sup>®</sup>  
 Manufacturing Co., Inc.  
 Philadelphia, PA 19154  
 (800)344-2242

Drawing  
**POOL ACCENT GATE  
 STYLE BUCKINGHAM  
 48" HIGH X 48" WIDE**

Date **September 2004** Drawing No.  
 Copyright 2004  
 This drawing  
 may not be altered  
 without permission of  
 Jerith Manufacturing Co., Inc. **BUCK48U48**



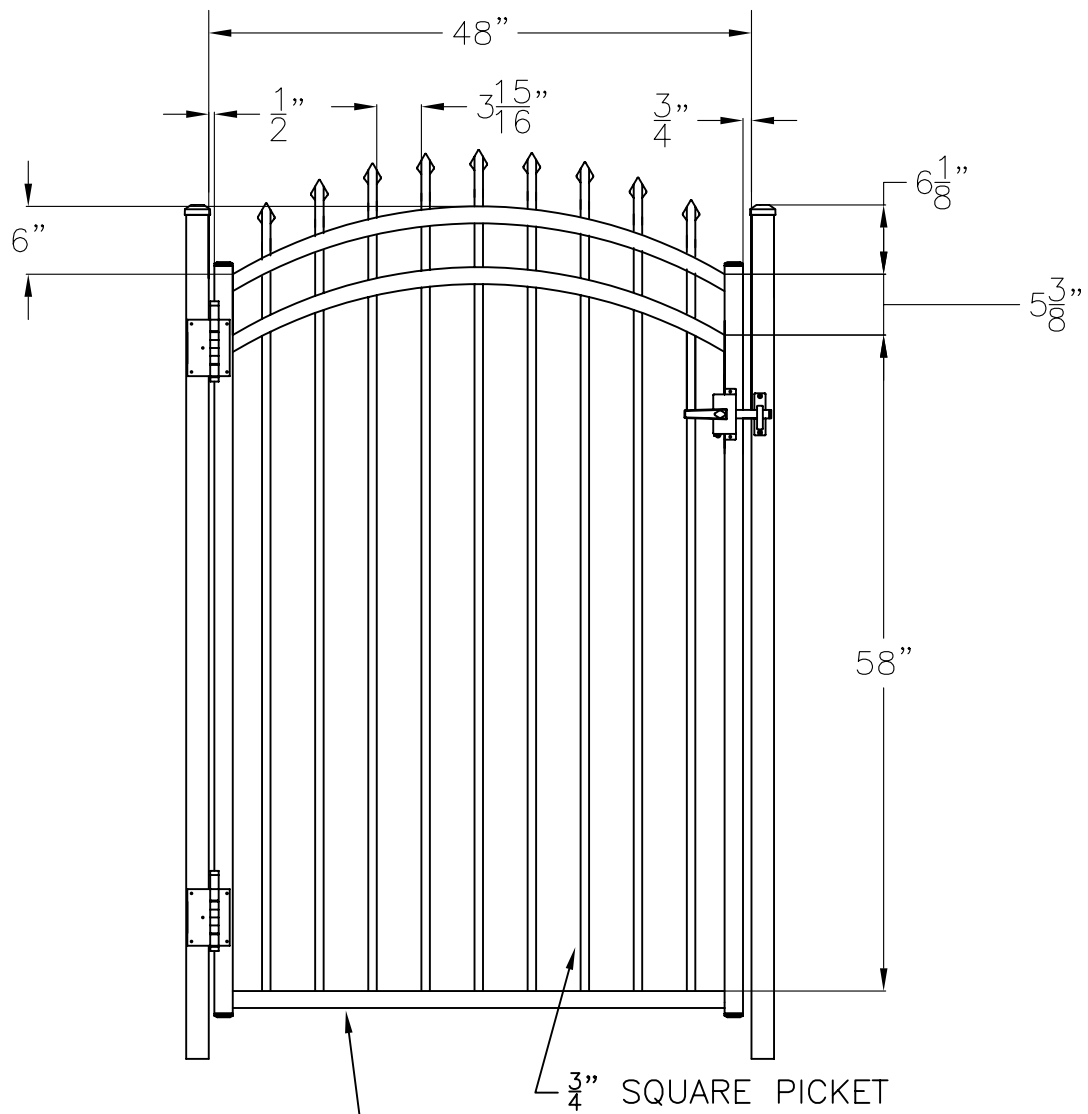
1-1/2" X 1-1/2" STRINGER

3/4" SQUARE PICKET

*Jerith*<sup>®</sup>  
 Manufacturing Co., Inc.  
 Philadelphia, PA 19154  
 (800)344-2242

Drawing  
**POOL ACCENT GATE  
 STYLE BUCKINGHAM  
 60" HIGH X 48" WIDE**

Date **September 2004** Drawing No.  
 Copyright 2004  
 This drawing  
 may not be altered  
 without permission of  
 Jerith Manufacturing Co., Inc. **BUCK60U48**



*Jerith*<sup>®</sup>  
 Manufacturing Co., Inc.  
 Philadelphia, PA 19154  
 (800)344-2242

Drawing  
**POOL ACCENT GATE  
 STYLE BUCKINGHAM  
 72" HIGH X 48" WIDE**

Date **September 2004** Drawing No.  
 Copyright 2004  
 This drawing  
 may not be altered  
 without permission of  
 Jerith Manufacturing Co., Inc. **BUCK72U48**