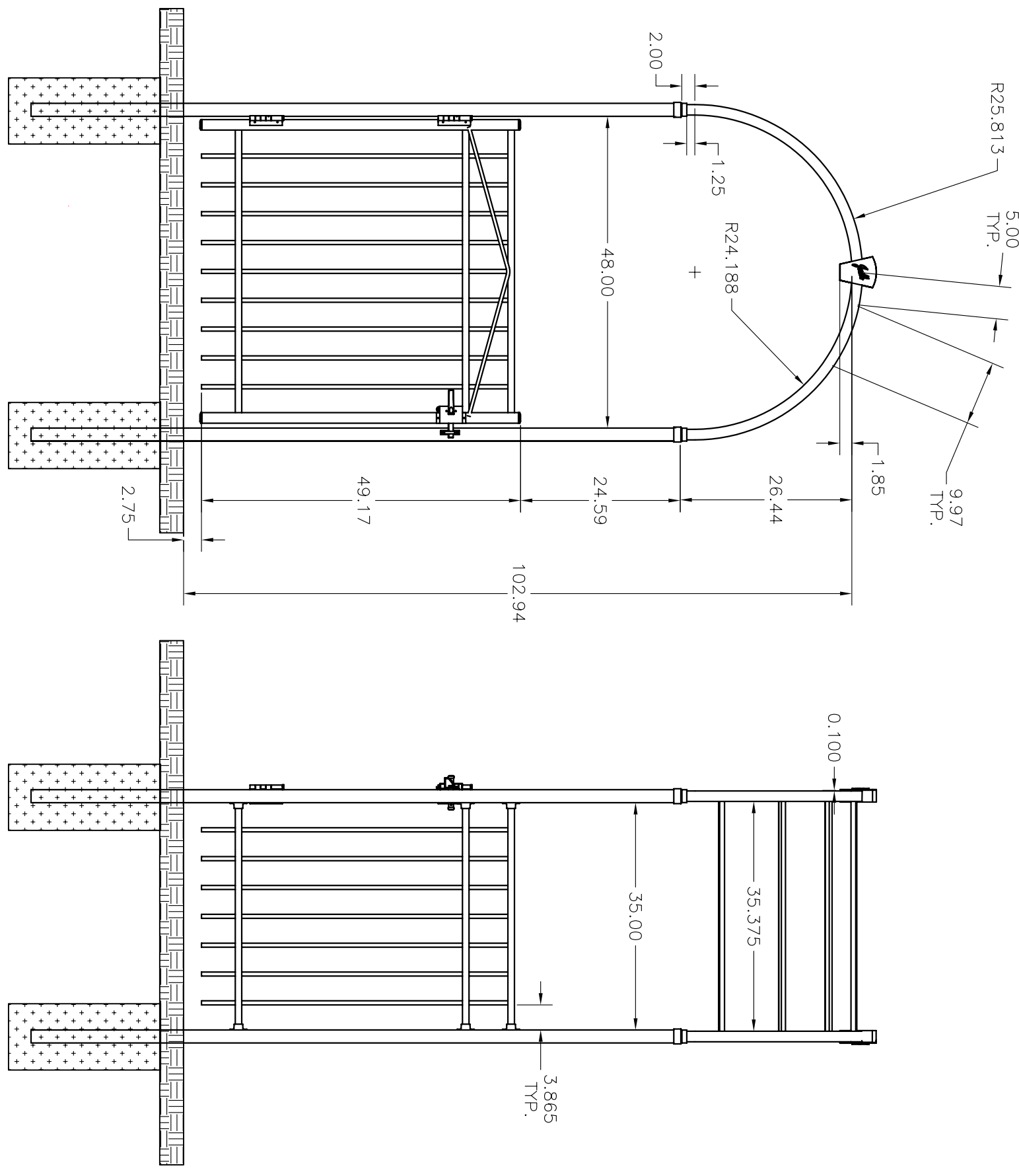
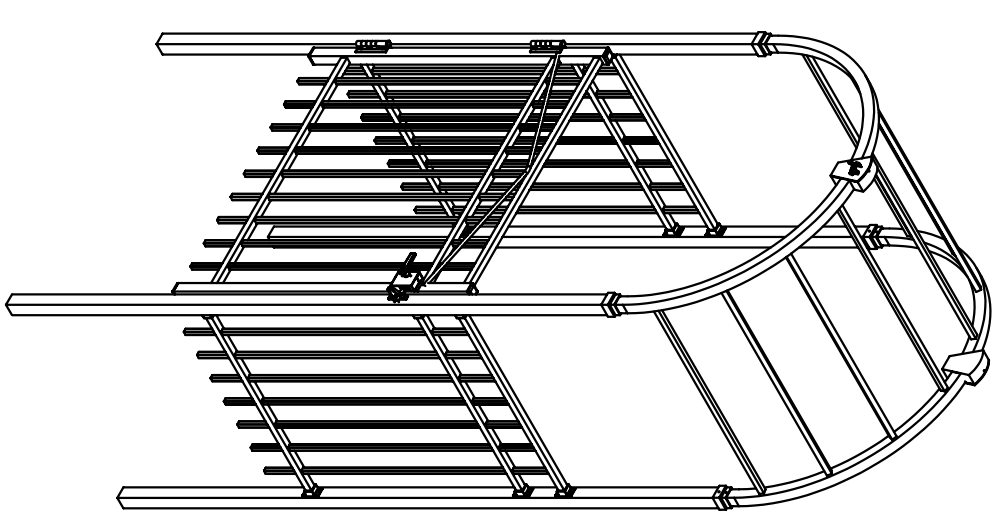


REVISIONS		DATE	APPROVED
ZONE	REV	DESCRIPTION	
-	NC	INITIAL RELEASE	



NOTES:

1. ALL DIMENSIONS IN INCHES.

TOLERANCE UNLESS SPECIFIED

- X/X = ±1/8
- .X = ±.1
- .XX = ±.03
- .XXX = ±.005
- .XXXX = ±.001
- ANGLE = ±1°

DRAWING:
ARBOR ASSEMBLY

Jerith
Manufacturing Co., Inc.
Philadelphia, PA 19154
(800) 344-2242

SIZE	DWG NO.	DATE	SHEET	REV
D	XXXXXX	9-16-2010	1 OF 3	NC

© 2005. This drawing may not be altered or reproduced without the permission of Jerith Manufacturing Co., Inc.