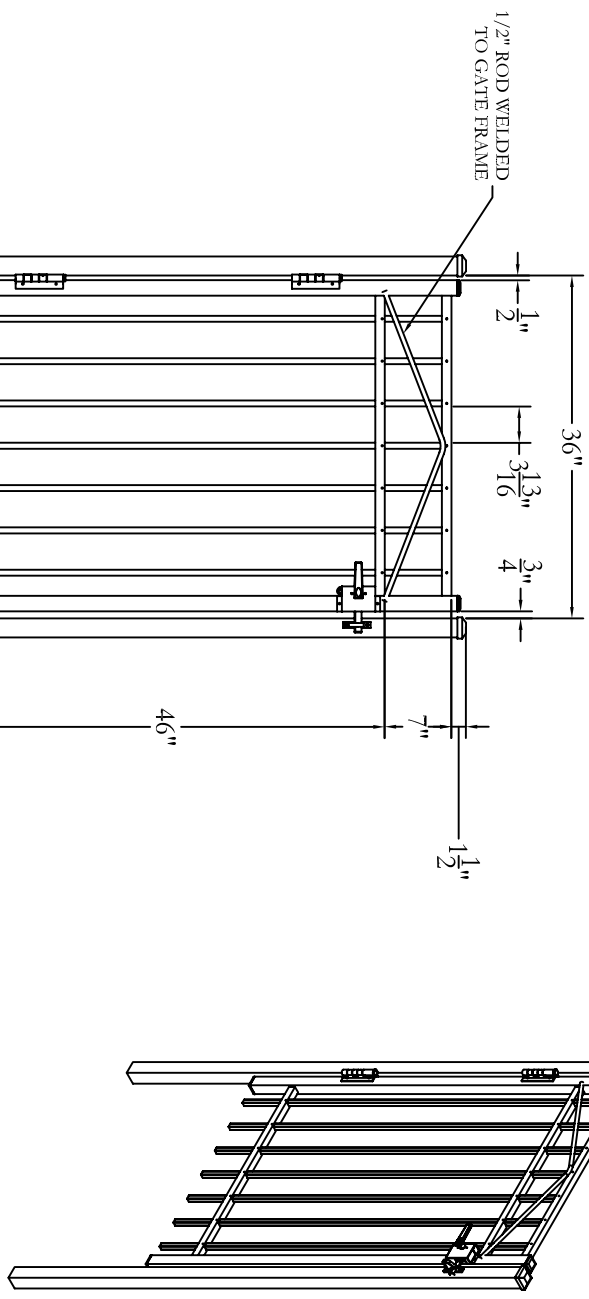


DATE	BY	DESCRIPTION	REVISION	DATE	BY	APPROVED
NC		INITIAL RELEASE				



Jerth
 Manufacturing Co., Inc.
 Philadelphia, PA 19154
 (800) 344-2242

DRAWING:
 RESIDENTIAL GATE
 STYLE #202
 60" HIGH X 36" WIDE

SIZE	DWG NO.	REV
D	RS60U20236	NC
SCALE	DATE	SHEET
1-1.05	1-1.05	1 OF 1

© 2005. This drawing may not be altered or reproduced without the permission of Jerth Manufacturing Co., Inc.