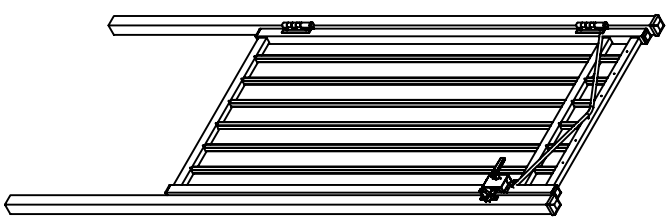
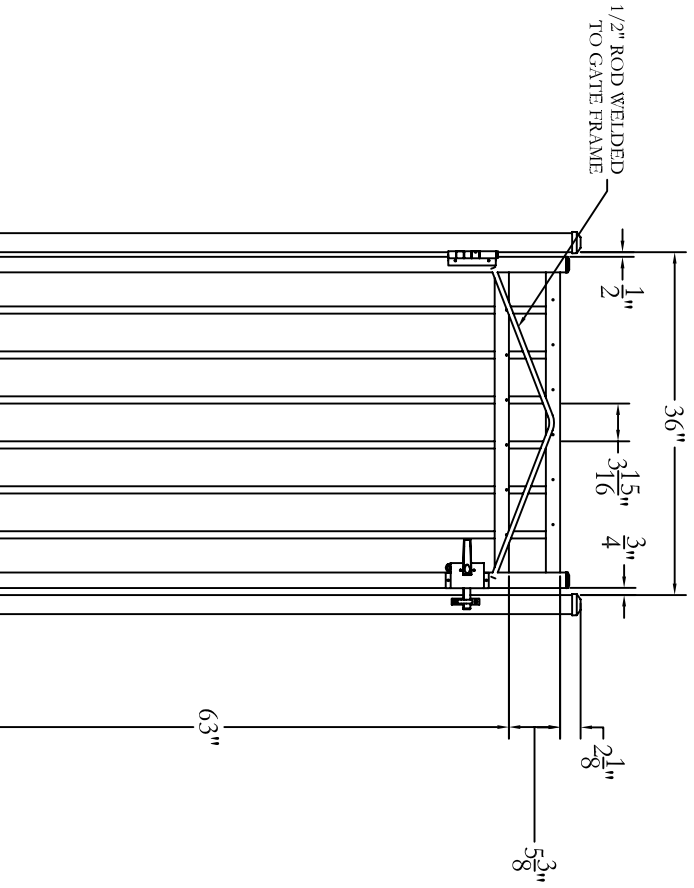


DATE	BY	DESCRIPTION	REVISION	DATE	BY	APPROVED
NC	NC	INITIAL RELEASE				



South
 Manufacturing Co., Inc.
 Philadelphia, PA 19154
 (800) 344-2242

DRAWING:
 WINDSOR GATE
 72" HIGH X 36" WIDE

SIZE	DWG. NO.	REV.
D	RG72UW36	NC
SCALE	DATE	SHEET
	2-25-04	1 OF 1

© 2004. This drawing may not be altered or reproduced without the permission of Jerth Manufacturing Co., Inc.