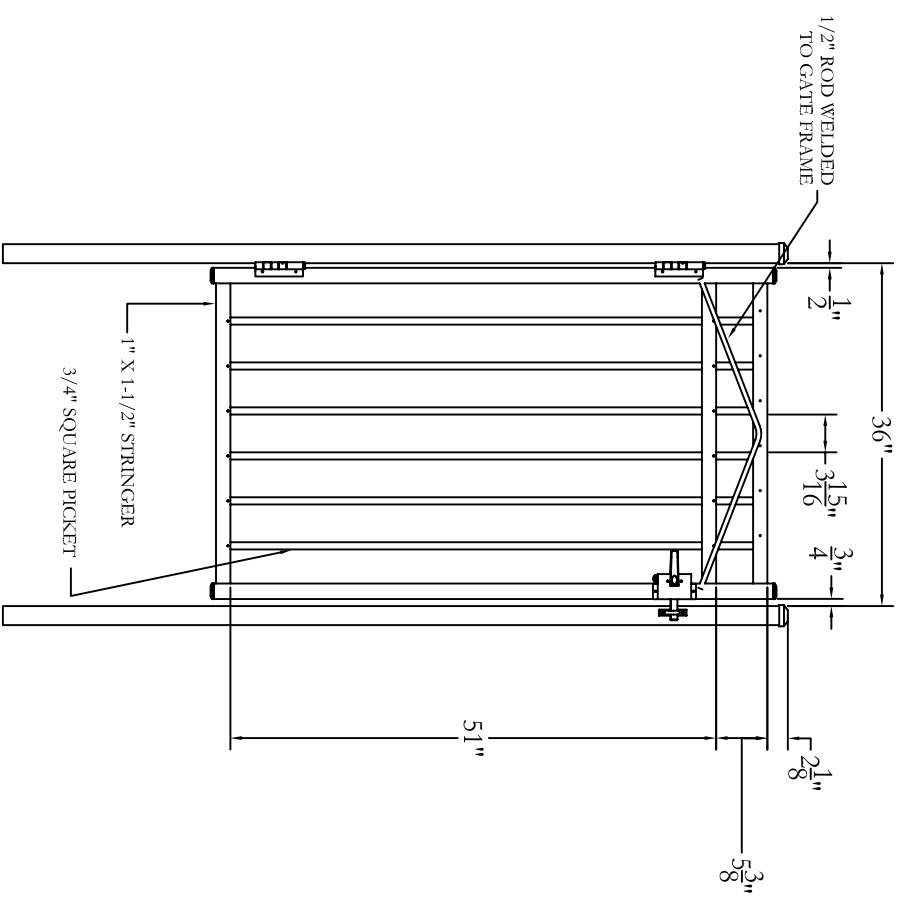
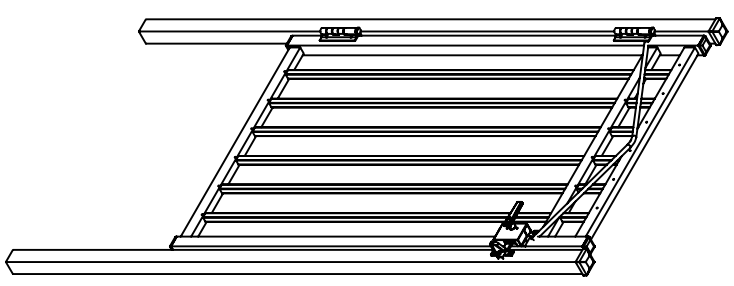


DATE	BY	DESCRIPTION	REVISION	DATE	BY	APPROVED
NC		INITIAL RELEASE				



*South*  
**Manufacturing Co., Inc.**  
 Philadelphia, PA 19154  
 (800) 344-2242

DRAWING:  
**WINDSOR GATE**  
 60" HIGH X 36" WIDE

SIZE	DWG NO.	REV
D	RG60UW36	NC
SCALE	DATE	SHEET
	2-25-04	1 OF 1

© 2004. This drawing may not be altered or reproduced without the permission of Jerth Manufacturing Co., Inc.