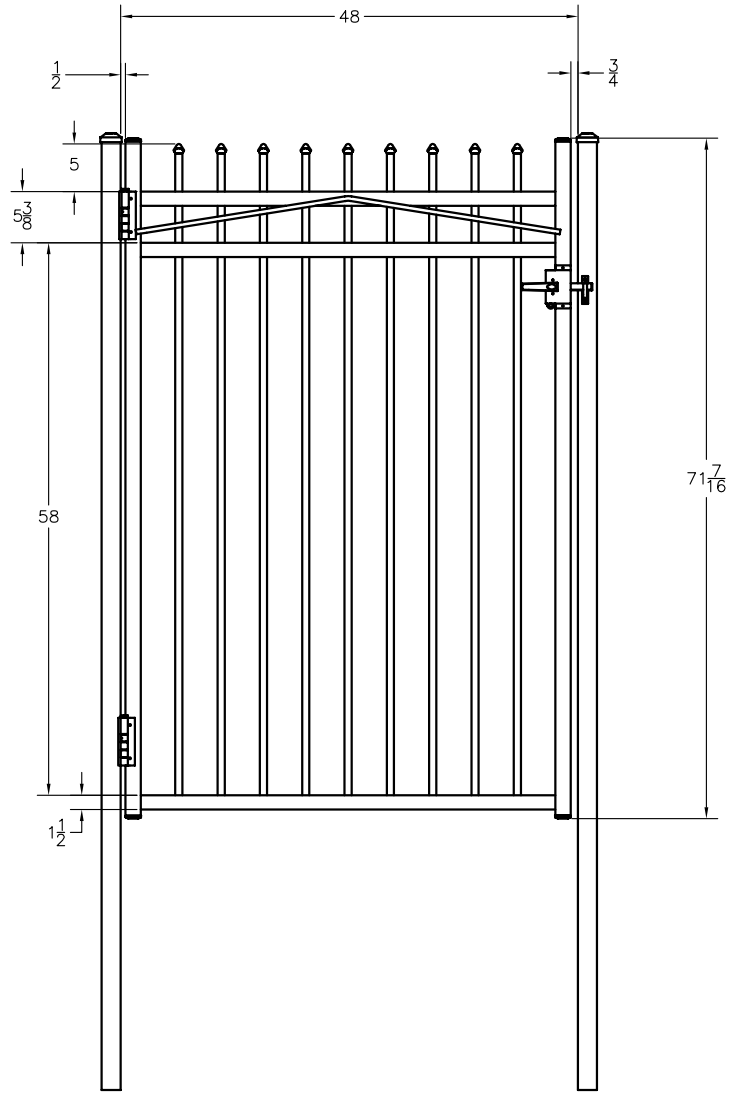


8 7 6 5 4 3 2 1

REVISIONS				
ZONE	REV	DESCRIPTION	DATE	APPROVED
	NC	INITIAL RELEASE		
	A	CHANGE PICKET SPACING	8-7-2010	SR

D  
C  
B  
A



- NOTES:
1. ALL DIMENSIONS IN INCHES.
  - 2.
  - 3.

*Jerith*<sup>®</sup>  
 Manufacturing Co., Inc.  
 Philadelphia, PA 19154  
 (800)344-2242

DRAWING:  
**BUCKINGHAM GATE**  
**72" HEIGHT X 48"WIDE**

SIZE D	DWG NO. RG72UB48	REV A
SCALE	DATE 11-1-11	SHEET 1 OF 1

© 2005. This drawing may not be altered or reproduced without the permission of Jerith Manufacturing Co., Inc.

8 7 6 5 4 3 2 1