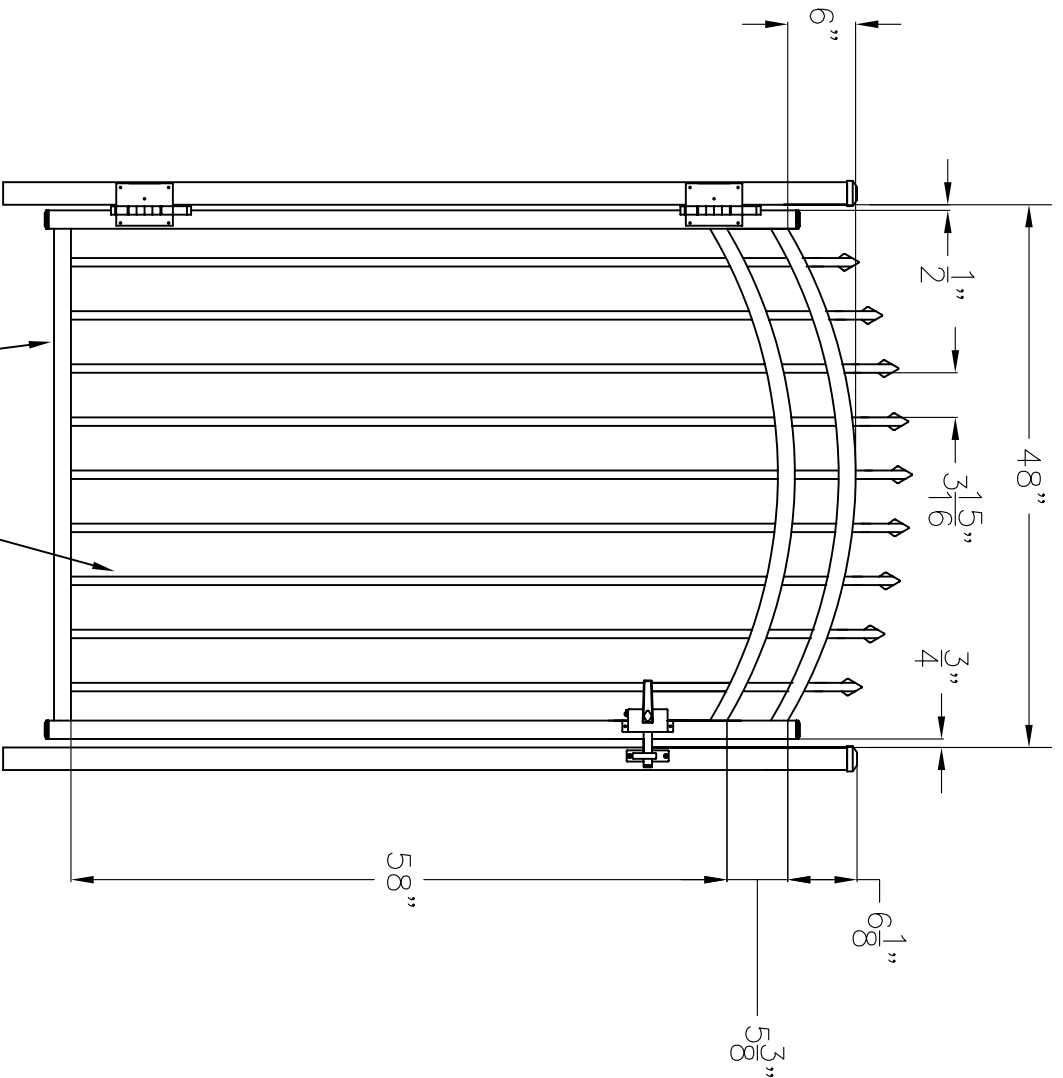


1-1/2" X 1-1/2" STRINGER

3/4" SQUARE PICKET



Jerrith
 Manufacturing Co., Inc.
 Philadelphia, PA 19154
 (800)344-2242

POOL ACCENT GATE
STYLE BUCKINGHAM
72" HIGH X 48" WIDE

BUCK72U48

Date September 2004
 Copyright 2004
 No part of this drawing
 may be reproduced
 without permission of
 Jerrith Manufacturing Co., Inc.