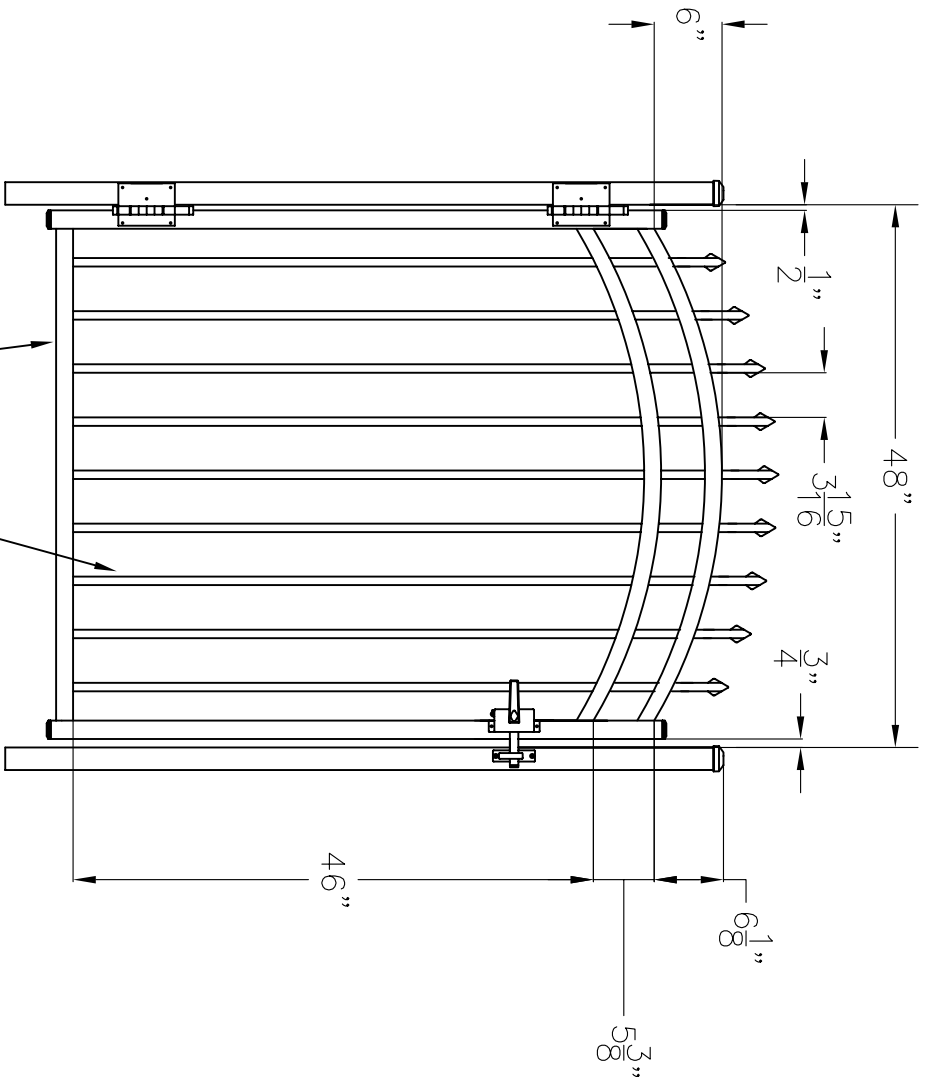


1-1/2" X 1-1/2" STRINGER

3/4" SQUARE PICKET



Jerith
 Manufacturing Co., Inc.
 Philadelphia, PA 19154
 (800)344-2242

POOL ACCENT GATE
 STYLE BUCKINGHAM
 60" HIGH X 48" WIDE

BUCK60U48

Date September 2004
 Copyright 2004
 This drawing
 may be
 reproduced
 without
 permission
 of
 Jerith Manufacturing Co., Inc.