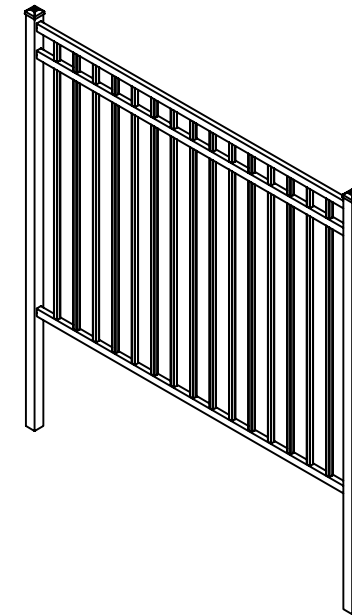
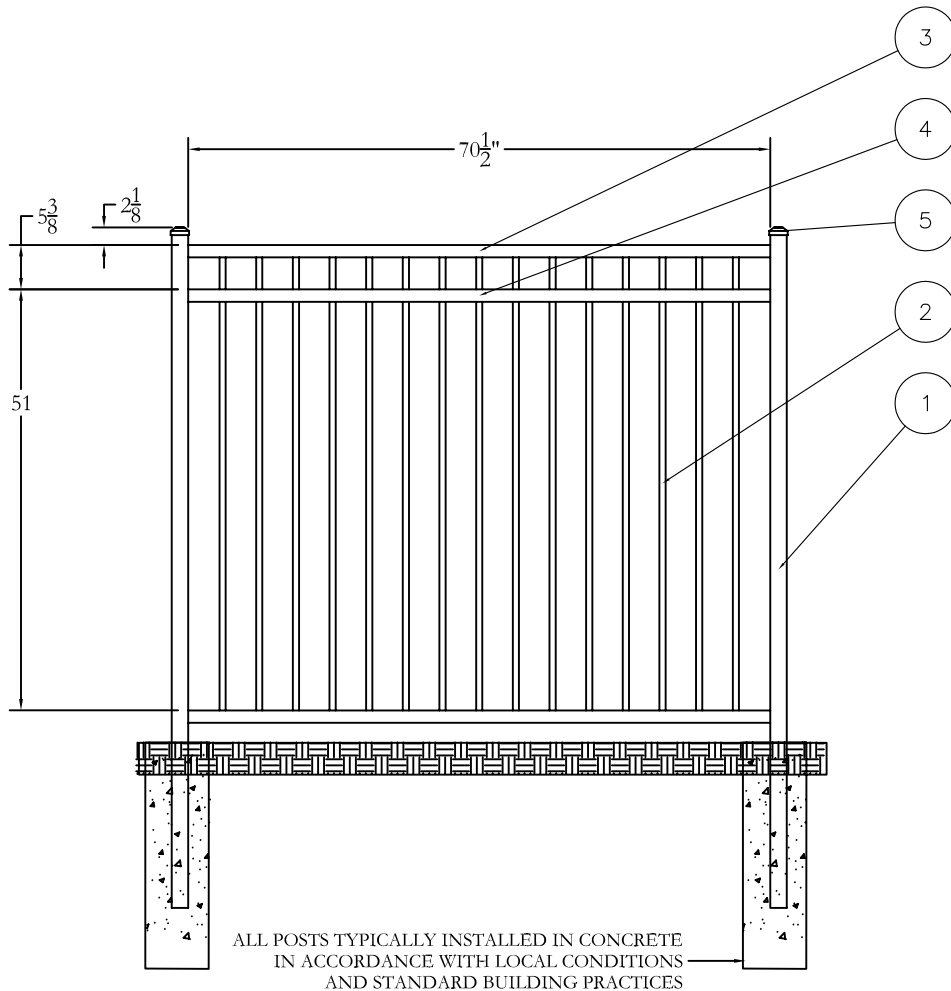


Parts List		
ITEM	QTY	DESCRIPTION
1	2	82" POST
2	15	60" PICKET
3	1	15 HOLE HEADER
4	2	15 HOLE STRINGER
5	2	POST CAP

REVISIONS				
ZONE	REV	DESCRIPTION	DATE	APPROVED
		INITIAL RELEASE		
	A	ADD 15TH PICKET, CHG STRINGER MATERIAL, CHG STRINGER LENGTH, REMOVE SCREWS, UPDATE PARTS LIST	7-29-2010	SR



*Jerith*<sup>®</sup>  
 Manufacturing Co., Inc.  
 Philadelphia, PA 19154  
 (800)344-2242

DRAWING:  
**WINDSOR FENCE**  
**60" HEIGHT**

SIZE D	DWG NO. RG60UWSN	REV NC
SCALE	DATE 7-26-2010	SHEET 1 OF 1

© 2005. This drawing may not be altered or reproduced without the permission of Jerith Manufacturing Co., Inc.